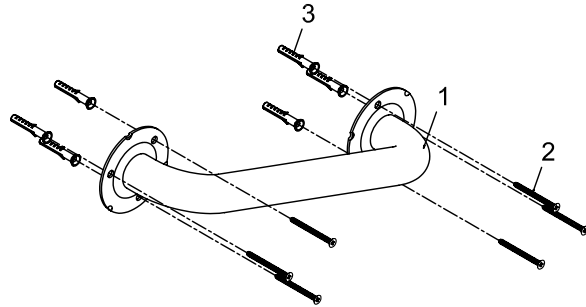


KINGSTON BRASS TM

THE TRADITION OF FINE BRASS

Commercial Grade Grab Bar Installation



PART NAME	QUANTITY	PART NAME	QUANTITY
① Bar	1	③ Anchor	6
② Mounting Screw	6		

Installation Steps:

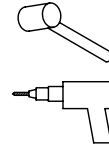
- Step 1. Locate position on the wall and mark location of the holes for mounting screws .(Fig.1)
- Step 2. Drill holes at the marked locations.(Fig.2)
- Step 3. Insert anchors into the holes until flush with wall. (Fig.3)
- Step 4. Place the unit by tightening mounting screws with phillips screwdriver until the base is tightly fixed. (Fig.4)

MODEL	FINISH
GB1412ES	Satinless Steel

TOOLS REQUIRED



Flat Head Screwdriver
Phillips Screwdriver
Marking Pencil



Hammer
Power Drill

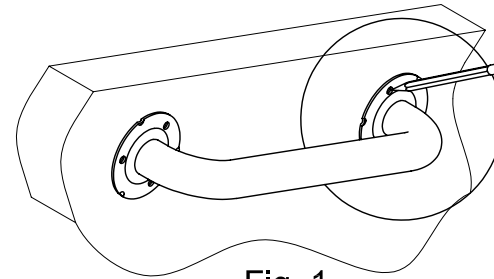


Fig. 1

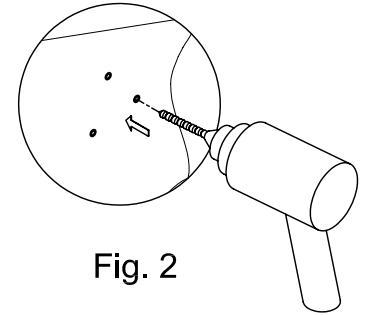


Fig. 2

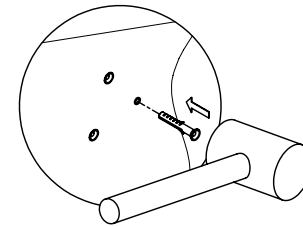


Fig. 3

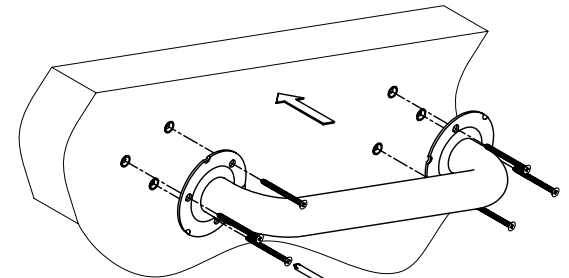


Fig. 4

Cleaning

Clean with a damp cloth only.
Avoid using metal or abrasive polishes.

www.kingstonbrass.com

TOLL-FREE CUSTOMER SERVICE: 877-2-KBRASS
TECHNICAL SUPPORT E-mail: service@kingstonbrass.com
6240 Prescott Court, Chino, CA91710