



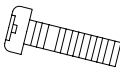
SOUTHERN ENTERPRISES INC.

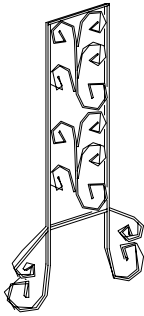
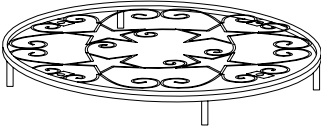

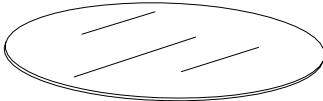

STYLE NO. GA0355

RELAX...If you can follow a few easy, step-by-step directions in order .YOU CAN ASSEMBLE THIS ITEM.

**BLACK SCROLL
IRON/SMOKE-GLASS WINE BAR**

PLEASE FIND HARDWARE IN RED POLYBAG BEFORE DISCARDING PACKING MATERIAL.

HARDWARE LIST	
(1) MACHINE SCREWS	12PCS
	

PARTS LIST			
(A) SIDE FRAME	2PCS	(D) TOP	1PC
			
(B) WINE RACK	2PCS	(E) SMOKE-GLASS	1PC
			
(C) IRON BAR	2PCS		
			

ASSEMBLY INSTRUCTION

1. SELECT A SMOOTH, SOFT SURFACE TO PREVENT SCRATCHING FINISH.
2. YOU MAY NEED A PHILLIP SCREWDRIVER.
3. INSERT MACHINE SCREWS (1) THROUGH PREDRILLED HOLES ON SIDE FRAMES (A) AND TIGHTEN INTO THREADED HOLES ON ENDS OF IRON BARS (C) AND WINE RACKS (B). AS FIGURE 1 SHOWN.

4. INSERT THE METAL TAGS OF TOP (D) INTO HOLES ON TOP EDGES OF SIDE FRAMES (A). AS FIGURE 2 SHOWN.

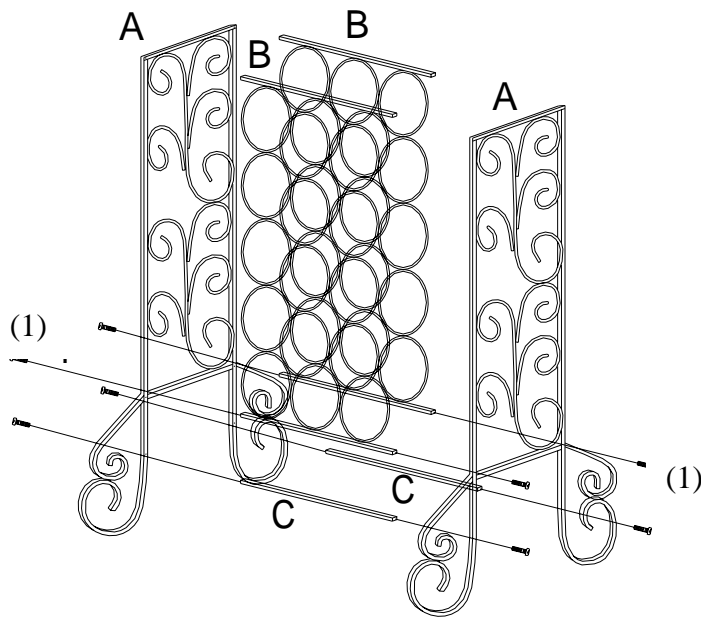


FIGURE 1

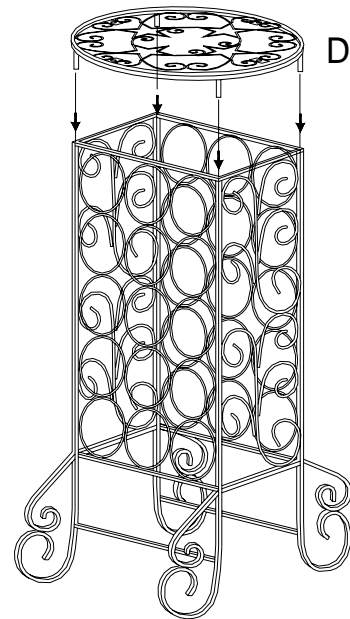


FIGURE 2

5. INSERT MACHINE SCREWS (1) THROUGH PREDRILLED HOLES ON SIDE FRAMES (A), METAL TAGS OF TOP (D) AND TIGHTEN INTO THREADED HOLES ON ENDS OF WINE RACKS (B). THEN PLACE THE SMOKE-GLASS (E) ON TOP (D). AS FIGURE 3 SHOWN.

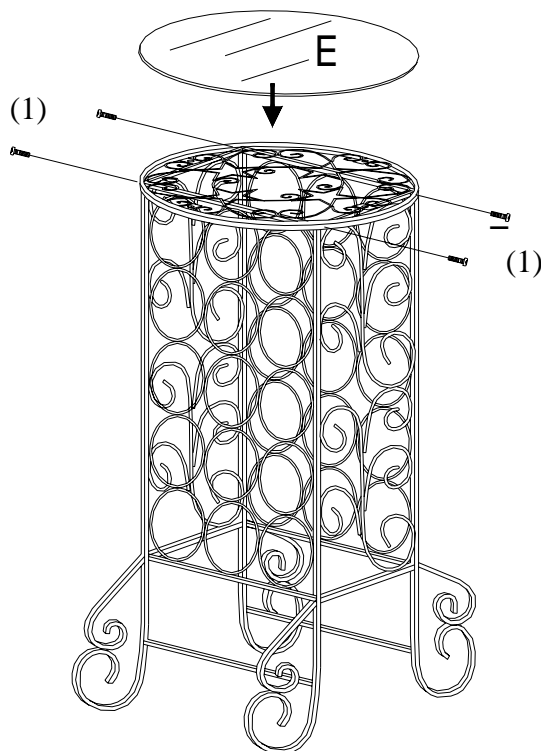
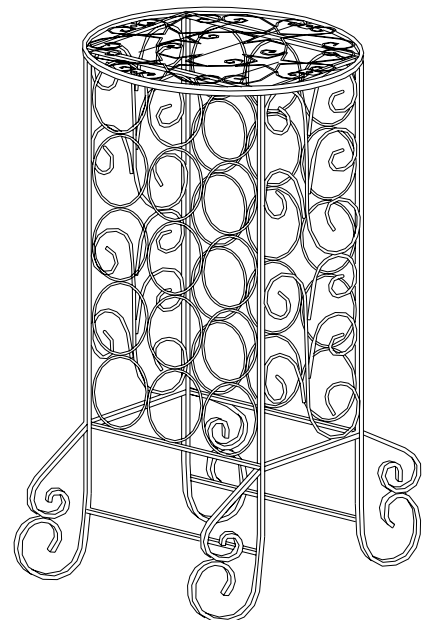


FIGURE 3



READY

YOUR NEW BLACK SCROLL IRON/SMOKE-GLASS WINE BAR IS FINISHED AND READY TO USE.

Please count, identify and compare parts and hardware list to be sure all parts are present. It may help to divide parts and label them to correspond with part list. Extra hardware may be included. If any items are missing, please contact our parts/service department at (800) 633-5096 or in Dallas (972) 869-0111/ 9am – 4pm Mon-Fri Central time. Missing or damaged hardware and/ or parts will be replaced free of charge. WE DO NOT SELL PARTS. WE DO NOT RECOMMEND MODIFYING PRODUCT(S) AND WE ARE NOT RESPONSIBLE FOR ANY DAMAGES DUE TO PRODUCT MODIFICATION(S). If this product has not been purchased from our retail affiliates (within 9 months), we are under no obligation to provide parts or replacement merchandise. Parts will not be available for items arriving fully assembled.

PARTS REPLACEMENT FORM

STYLE NO: **GA0355**

Customer Name _____

PARTS
LETTER

PART
DESCRIPTION

QUANTITY
NEEDED

Street, City, State, Zip _____

Phone# _____



SOUTHERN ENTERPRISES INC.
P.O. Box 59996 Dallas, Texas 75229

Please indicate where you purchased this item.
Store/website/catalog

_____ / _____ / _____

Please indicate color/size/style number

_____ / _____ / _____