



Project: \_\_\_\_\_

Fixture Type: \_\_\_\_\_

Location: \_\_\_\_\_

Contact/Phone: \_\_\_\_\_

# INCANDESCENT LOUVERED NIGHT LIGHT

## INCANDESCENT LAMP ICTC113

### PRODUCT DESCRIPTION

ICTC Housing designed for use in insulated or non-insulated areas. Refer to lamp data for correct lamp wattage.

### PRODUCT SPECIFICATIONS

**Lamp** IC - One 25W A19 lamp • TC - One 40W A19 lamp.

**Socket** Medium base porcelain with nickel-plated copper screw shell.

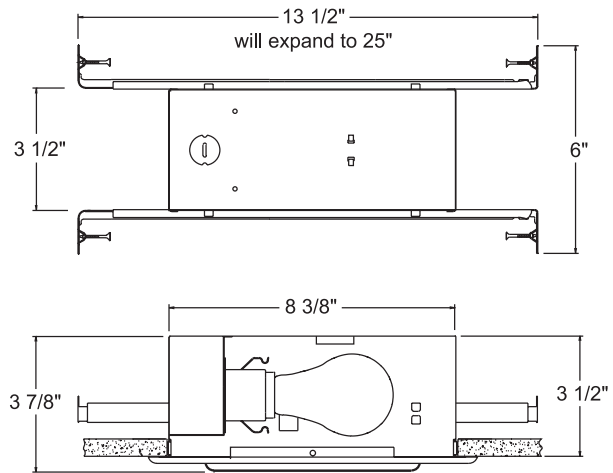
**Trims** Available in white baked enamel on steel • Fastens to housing with two torsion springs.

**Labels** UL listed for damp locations and IP • Product thermally protected against improper use of lamps • Union made AFL-CIO • UL Listed/CSA certified.

**Testing** All reports are based on published industry procedures; field performance may differ from laboratory performance.

Product specifications subject to change without notice.

### DIMENSIONS



8 3/4" X 3 3/4" WALL CUTOUT

### INSTALLATION

**Real Nail 3 Bar Hangers** Telescoping, patent-pending Real Nail 3 system permits quick placement of housing anywhere within 24" O.C. joists or suspended ceilings • Integral T-bar notch and clip secures housing in suspended ceiling grid – no accessory clips required • 24" expansion stop allows quick placement of fixture in standard grid spacing • Bars scored in two locations for fast, clean breaking, allowing housing installation in tight applications • Bars captive to mounting frame • Edge-mounted for extra strength • Captive bugle-headed ring shank nail for quick one-step installation and easy removal with claw hammer for fixture relocation • Quick-Loc slot and oversized locking set screw lock fixture in position • Bar hanger foot contoured to align to bottom of construction joist • Alternate mounting holes included.

**Junction Box** Pre-wired junction compartment provided with (3) 1/2" knockouts, and ground wire, UL listed/CSA certified for through-branch wiring, maximum 4 No. 12 AWG 90° C branch circuit conductors (2 in, 2 out) • Junction compartment provided with removable access plate • Knockouts equipped with pryout slots.

**Housing** TC housing, 22-gauge white painted steel • 8 1/2" L x 3 1/2" H x 3 1/2" D.

### PRODUCT CODES

Catalog Number	Input Voltage	Lamp Rating (max.)
ICTC113	120V	IC - 25W A19 / TC - 40W A19

# INCANDESCENT LOUVERED NIGHT LIGHT

INCANDESCENT LAMP  
**ICTC113**

## COMPLETE FIXTURE/LAMP

	<b>Cat. No.</b>	<b>Description</b>	<b>Lamp Rating</b>
	<b>104-WH</b>	Diffuse Glass Lens, White Trim	7W or 9W twin tube CFL lamp
	<b>840-WH</b>	Angled Louvers, White Trim	7W or 9W twin tube CFL lamp

Trim Finish: WH - White.



1300 S. Wolf Road • P.O. Box 5065 • Des Plaines, IL 60017-5065 • Phone (847) 827-9880 • Fax (847) 827-2925  
 220 Chrysler Drive • Brampton, Ontario • Canada L6S 6B6 • Phone (905) 792-7335 • Fax (905) 792-0064  
 Visit us at [www.junolightinggroup.com](http://www.junolightinggroup.com)

Printed in U.S.A. ©2006 Juno Lighting, Inc.