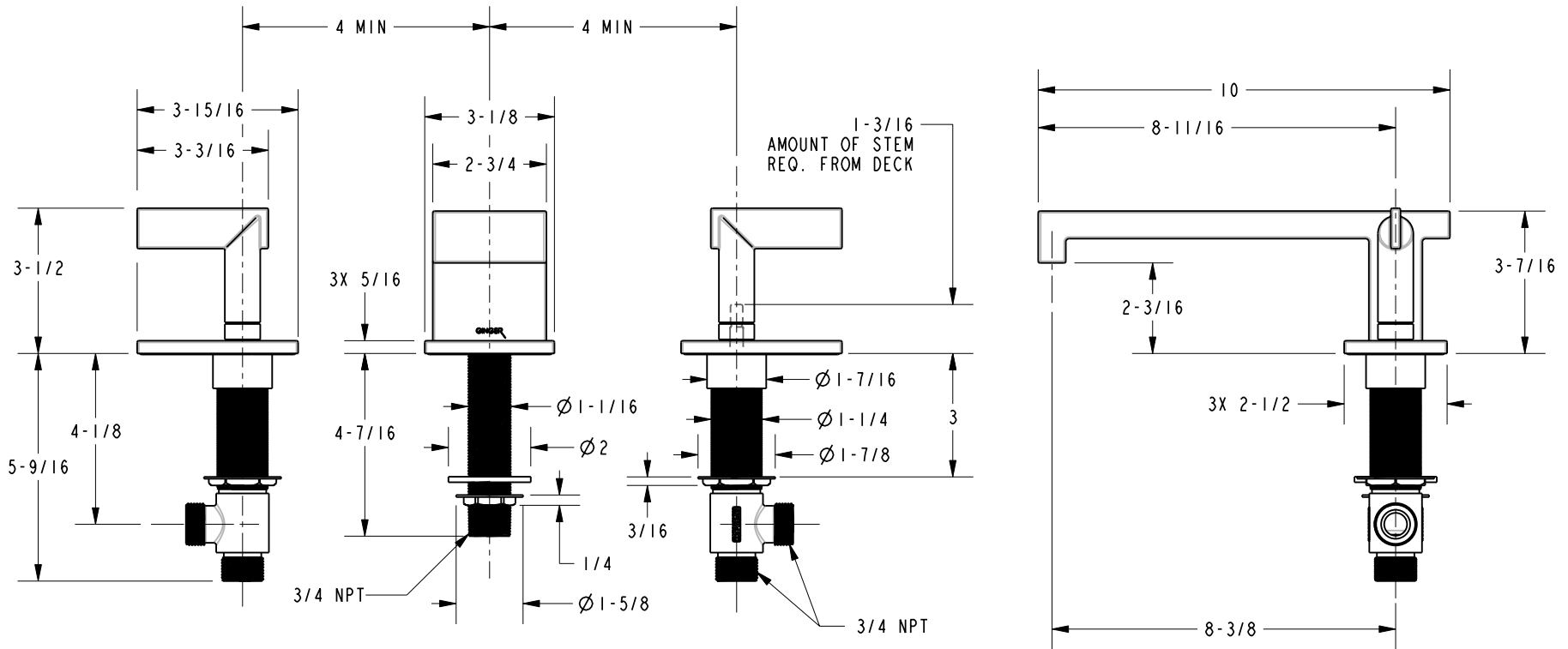


SPECIFICATION DWG



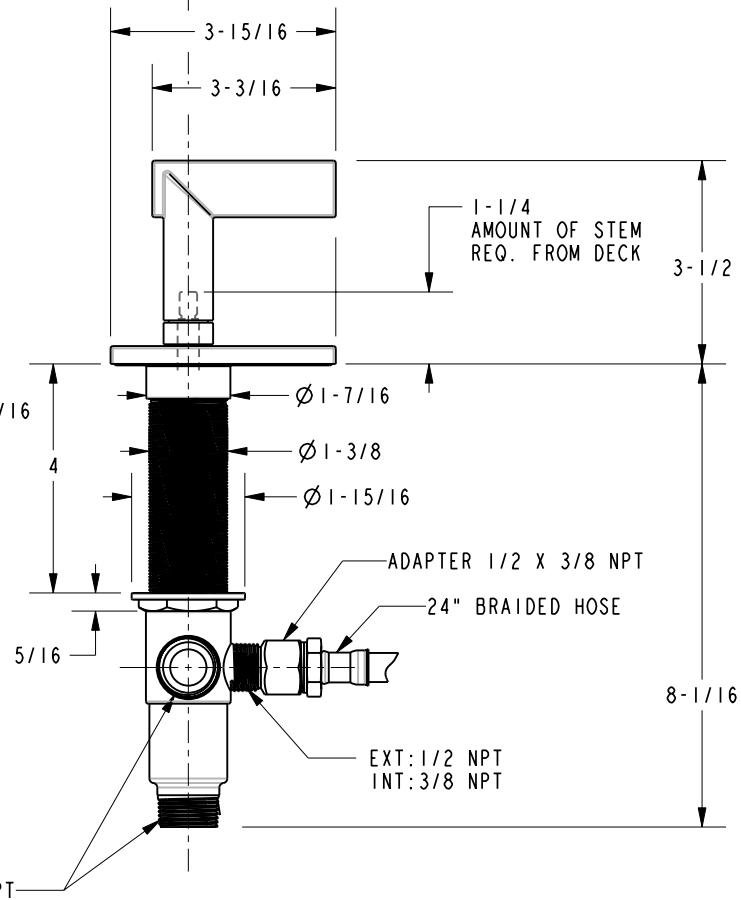
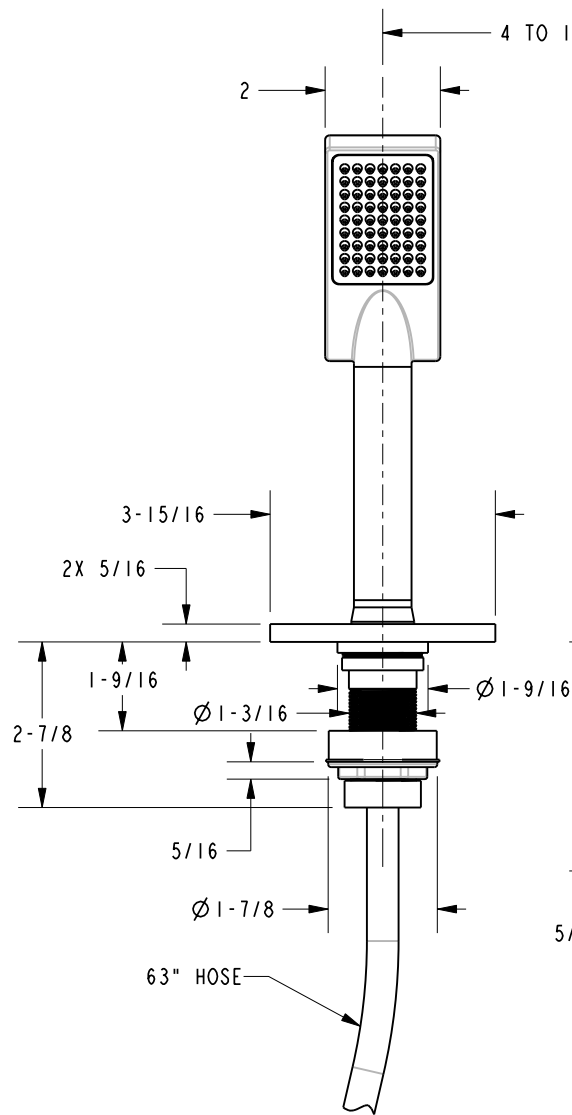
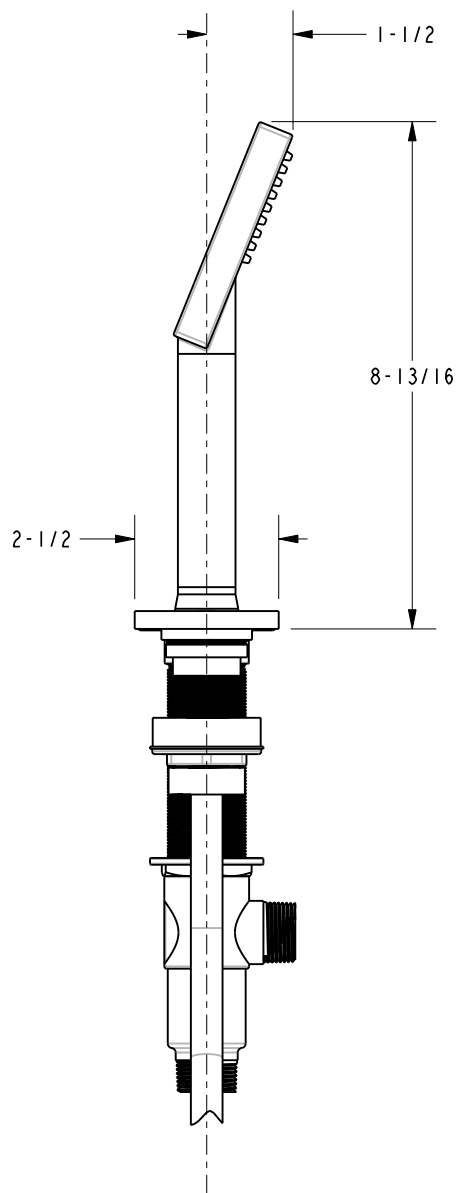
DIMENSIONS ARE IN INCHES AND AN APPROXIMATION OF A TYPICAL INSTALLATION

COPYRIGHT 2005 GINGER. THESE DRAWINGS AND THE DESIGNS DEPICTED HEREIN ARE THE PROPRIETARY PROPERTY OF GINGER. ANY USE OR REPRODUCTION IS SUBJECT TO THE EXPRESS APPROVAL OF GINGER. UNAUTHORIZED USE IS STRICTLY PROHIBITED. ALL RIGHTS RESERVED.

GINGER		460-N GREENWAY INDUSTRIAL DRIVE FORT MILL, SC 29708 (803) 547-5786
DWG NO.	G28-107	REV -
SCALE .250	REF. -	SHEET 2 OF 3

4 3 2 1

SPECIFICATION DWG



DIMENSIONS ARE IN INCHES AND AN APPROXIMATION OF A TYPICAL INSTALLATION

4 3 2 1

Copyright 2005 GINGER. THESE DRAWINGS AND THE DESIGNS DEPICTED HEREIN ARE THE PROPRIETARY PROPERTY OF GINGER. ANY USE OR REPRODUCTION IS SUBJECT TO THE EXPRESS APPROVAL OF GINGER. UNAUTHORIZED USE IS STRICTLY PROHIBITED. ALL RIGHTS RESERVED.

GINGER		460-N GREENWAY INDUSTRIAL DRIVE FORT MILL, SC 29708 (803) 547-5786	
DWG NO.	G28-107	REV	-
SCALE	.300	REF.	-
SHEET 3		OF 3	