

< EXTENDER LINER and LINER >

1. Scribe a line (B) distance from top of adjacent cabinets. Position wood filler blocks flat on side of adjacent cabinets above scribe lines between frame stiles and rear wall and securely fasten to cabinets see Fig.1.
2. Position EXTENDER LINER so that bottom edge is level with scribed lines and drive #8 screws through holes in the extender liner. Screw length should be such that firm attachment through blocks and into cabinet is accomplished. Repeat on other side.
3. (4) Nuts, (2) one side, are removed from the extender liner and liner is inserted from the bottom.
4. Liner is fixed with the detached nuts. Liner should now appear as in Fig.2.
5. If possible, locate wall studs, drill holes through back of liner and attach to wall securely.
6. Metal liner should also be fastened to skirt of hood after it is hung into place.

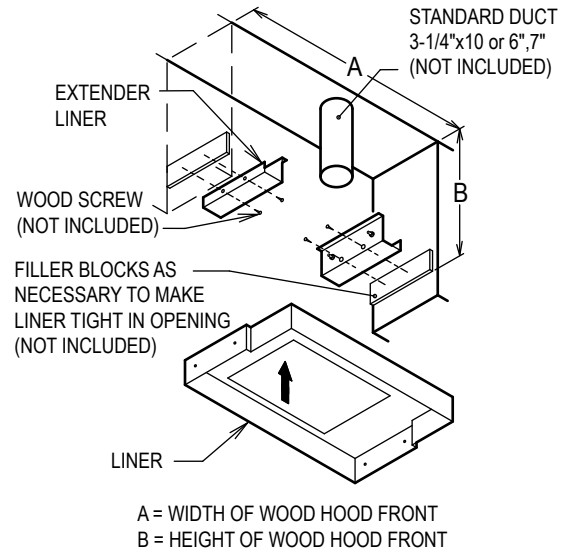


FIG 1

< POWER UNIT >

Please refer to the POWER UNIT INSTALLATION MANUAL.

< WOOD HOOD >

1. Attach fillers to wood hood, with #8x2-1/2" screws provided, through the predilled holes.
2. Slide wood hood into opening between wall cabinets over metal liner. Wood frame on front of hood should be flush with frames of adjoining cabinets.
3. Drill top and bottom holes through the front frames of the adjoining wall cabinets. Drive #6x2-1/2" screws through holes into wood hood fastening it into place. Drive #8x3/8" screws through front of metal liner into back of wood hood front to attach liner securely. Installation should now appear as in Fig.3.
4. Turn on the electrical circuit to the power unit. Check the ventilating functions at each speed control positions. Make sure that the range hood has no abnormal noises and/or vibration.

Your installation is now complete. If you should require service or replacement parts on your ventilation system, contact:

Fuji Industrial USA, Inc.
16300 Christensen Rd, #212 Seattle, WA 98188
1-888-547-9880

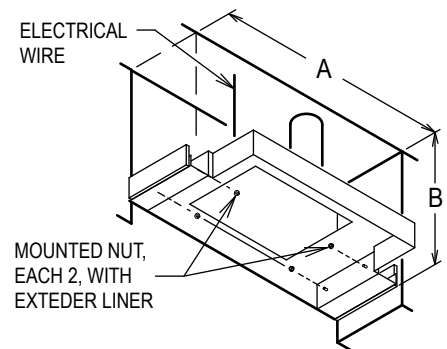


FIG 2

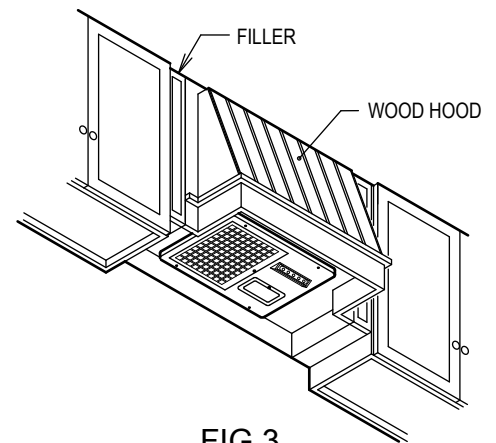


FIG 3

* Final view will vary with the type of liner installed

READ AND SAVE THESE INSTRUCTIONS.
Keep this manual in a convenient place for future reference.

FUJI INDUSTRIAL CO.,LTD .

FU030781