



SB Tap Cast Iron Slipper Ball & Claw Feet

61 1/2" L x 30 3/4" W x 30 1/8" H Capacity: 33 Gal

284 lbs. Empty Tub Weight

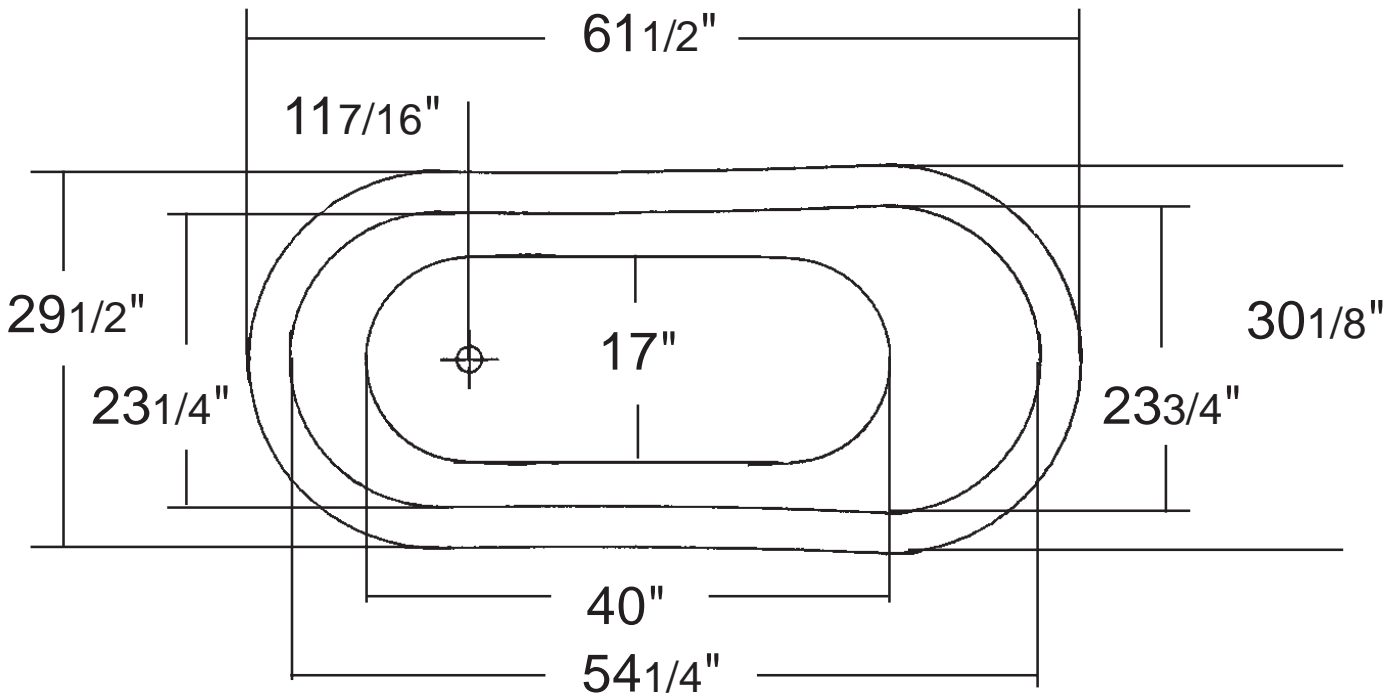
659 lbs. Filled Tub Weight

404 lbs. Shipping Weight

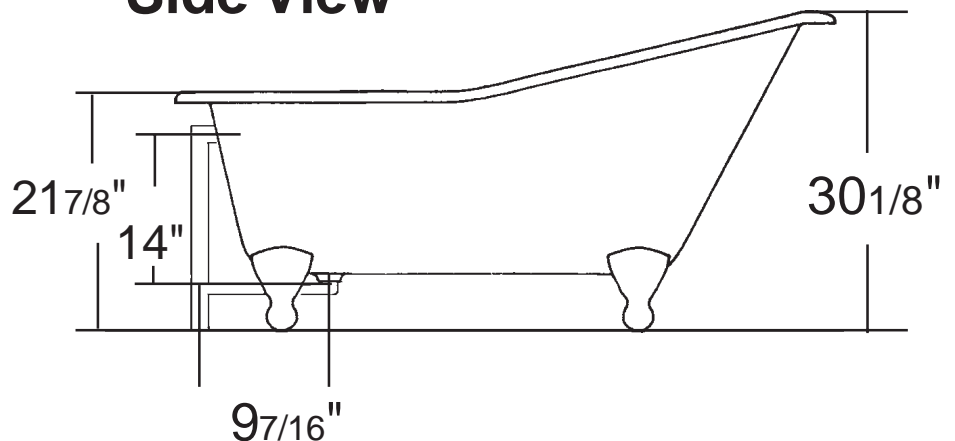
Hole Diameters

Drain Outlet	2"
Overflow	2 1/4"
Faucet	1 3/8"

Top View



Side View



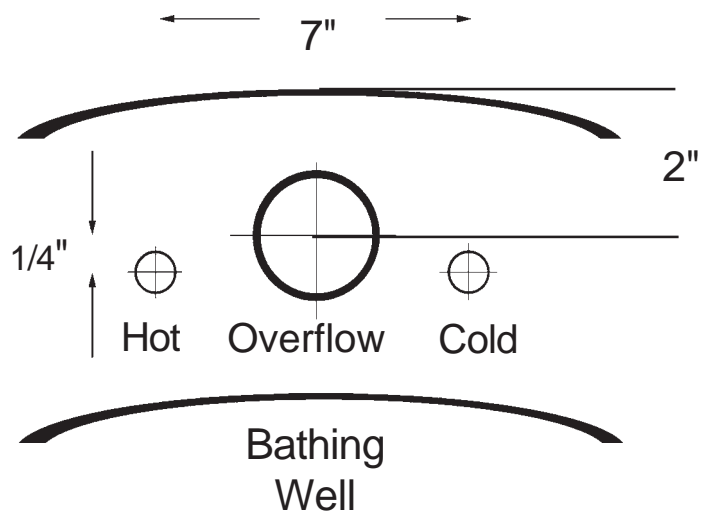
Measurement Tolerances

1. Overall lengths & Heights are +/- 3/8"
2. Overall width is +/- 3/16"
3. Hole diameters are
 - +/- 1/8 for drain hole & faucet holes
 - +/- 3/16 for over-flow



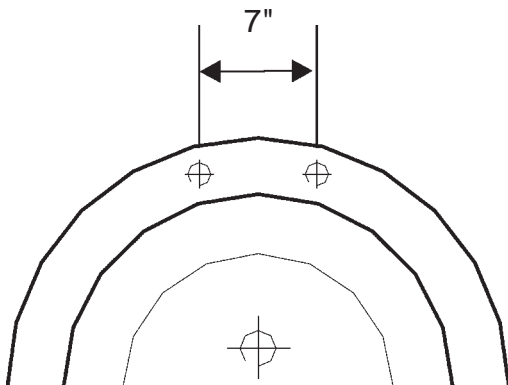
SB Tap Cast Iron Slipper

Rough - in



These measurements for reference only. If exact measurements are required, please use the actual tub to be installed to obtain your measurements.

Faucet Hole Location



Feet Placement Diagram

