

Happy D. Series



- ▶ Distinctive overall design in the shape of the letter D.
- ▶ Washbasins available in widths 750 and 650 mm, the smaller model optionally in combination with chrome console
- ▶ A modern classic in the field of sanitaryware - and a real lucky strike when it comes to form, function and affordability
- ▶ Excellent value for money
- ▶ Designed by: Dieter Sieger

Colour group	A			B			C
Colour / ref. of colour	White - 00	Manhattan - 11	Amber - 41	Pergamon - 47	Greenwich - 52	Key West - 56	Edelweiss - 78
available	●						

MM > INCHES

mm > inches							
5	1/8	295	11 5/8	585	23	880	34 5/8
10	3/8	300	11 3/4	590	23 1/4	885	34 7/8
15	5/8	305	12	55	23 3/8	890	35
20	3/4	310	12 1/4	600	23 5/8	895	35 1/4
25	1	315	12 3/8	605	23 3/4	900	35 1/2
30	1 1/8	320	12 5/8	610	24	915	36
35	1 3/8	325	12 3/4	615	24 1/4	920	36 1/4
40	1 5/8	330	13	620	24 1/2	925	36 3/8
45	1 3/4	335	13 1/4	625	24 5/8	935	36 3/4
50	2	340	13 3/8	630	24 3/4	940	37
55	2 1/8	345	13 5/8	635	25	980	38 5/8
60	2 3/8	350	13 3/4	640	25 1/4	995	39 1/8
65	2 1/2	355	14	645	25 3/8	1000	39 3/8
70	2 3/4	360	14 1/8	650	25 5/8	1015	40
75	3	365	14 3/8	655	25 3/4	1020	40 1/8
80	3 1/8	370	14 1/2	660	26	1030	40 1/2
85	3 3/8	375	14 3/4	665	26 1/4	1035	40 3/4
90	3 1/2	380	15	670	26 3/8	1045	41 1/8
95	3 3/4	385	15 1/8	675	26 5/8	1050	41 3/8
100	4	390	15 3/8	680	26 3/4	1070	42 1/8
105	4 1/8	395	15 1/2	685	27	1100	43 1/4
110	4 3/8	400	15 3/4	690	27 1/8	1150	45 1/4
115	4 1/2	405	16	695	27 3/8	1195	47
120	4 3/4	410	16 1/8	700	27 1/2	1200	47 1/4
125	4 7/8	415	16 3/8	705	27 3/4	1220	48
130	5 1/8	420	16 1/2	710	28	1225	48 1/4
135	5 3/8	425	16 3/4	715	28 1/8	1240	48 7/8
140	5 1/2	430	16 7/8	720	28 3/8	1300	51 1/8
145	5 3/4	435	17 1/8	725	28 1/2	1320	52
150	5 7/8	440	17 3/8	730	28 3/4	1400	55 1/8
155	6 1/8	445	17 1/2	735	28 7/8	1415	55 1/4
160	6 1/4	450	17 3/4	740	29 1/8	1515	59 5/8
165	6 1/2	455	17 7/8	745	28 3/8	1600	63
170	6 3/4	460	18 1/8	750	29 1/2	2000	78 3/4
175	6 7/8	465	18 1/4	755	29 3/4	2015	79 3/8
180	7 1/8	470	18 1/2	760	29 7/8	2500	98 1/2
185	7 1/4	475	18 3/4	765	30 1/8		
190	7 1/2	480	18 7/8	770	30 3/8		
195	7 5/8	485	19 1/8	775	30 1/2		
200	7 7/8	490	19 1/4	780	30 3/4		
205	8 1/8	495	19 1/2	785	30 7/8		
210	8 1/4	500	19 5/8	790	31 1/8		
215	8 1/2	505	19 7/8	795	31 1/4		
220	8 5/8	510	20 1/8	800	31 1/2		
225	8 7/8	515	20 1/4	805	31 3/4		
230	9	520	20 1/2	810	31 7/8		
235	9 1/4	525	20 5/8	815	32 1/8		
240	9 1/2	530	20 7/8	820	32 1/4		
245	9 5/8	535	21	825	32 1/2		
250	9 7/8	540	21 1/4	835	32 7/8		
255	10	545	21 1/2	840	33 1/8		
260	10 1/4	550	21 5/8	845	33 1/4		
265	10 3/8	555	21 7/8	850	33 1/2		
270	10 5/8	560	22	855	33 5/8		
275	10 7/8	565	22 1/4	860	33 7/8		
280	11	570	22 1/2	865	34		
285	11 1/4	575	22 5/8	870	34 1/4		
290	11 3/8	580	22 7/8	875	34 1/2		



INTERNATIONAL STANDARDS

EU STANDARDS

	Serie	Description	Model-No.	KIWA	IAPMO	QAS	CSA	Singapore
International Standards P = Pending ● = Listed	■ 1930	Cistern	087220..03			●		
		Cistern, US version	087223..01		●			
		Toilet, floor st., vertical outlet	022701..00			●		●
		Toilet, floor st., horiz. outlet	022709..00			●		
		Toilet, US version	015101..00		●			
		Toilet, wall-mounted	018209..00					●
	■ Architec	Toilet, wall-mounted	019009..00	●		●		
		Washbasin	044958..00		●			
	■ Bacino	Washbowl	032542..00		●		●	
	■ Caro	Cistern	087250..01					●
		Toilet floor-st., Vario outlet	022509..00		●			●
		Toilet, wall-mounted	015609..00					
	■ Darling	Cistern	872600..01	●		●		
		Cistern, Singapore standard	872620..01					●
		Toilet, floor-st., vertical outlet	023201..00	●		●		●
		Toilet, floor-st., horiz. outlet	023209..00	●		●		●
		Toilet, wall-mounted	020709..00		●	●		●
	■ Dellarco	Cistern	087301..01					●
		Cistern, Singapore standard	087321..00					●
		Toilet, floor-st., horiz. outlet	015009..00			●		
		Toilet, floor-st., vertical outlet	021801..00					●
		Toilet, floor-st., horiz. outlet	021809..00					●
	■ Duraplus	Cistern	087920..01	●		●		
		Cistern	088630..01			●		
		Cistern NL standard	087922..02	●				
		Cistern, Singapore standard	087924..01					●
		Toilet, wall-mounted	022809..00			●		
		Toilet, floor-st., vertical outlet	022901..00	●		●		●
		Toilet, floor-st., horiz. outlet	022909..00	●		●		
		Toilet, floor-st., Vario outlet	022409..00			●		
		Toilet, floor-st., Vario, washout	024609..00			●		
		Toilet, wall-mounted	019209..00			●		
		Toilet, wall-mounted	254709..00					●
	■ Foster	Cistern	091200..00			●		
		Toilet, wall-mounted, washout	017509..00		●	●	●	P
		Toilet, floor-st., vertical outlet	017609..00			●		P
	■ Giamo	Cistern	088200..01					●
		Toilet, floor-st., Vario outlet	024209..00					●
		Toilet, wall-mounted	019109..00					●
	■ Giorno	Cistern	0911000001		P			P
		Toilet, wall-mounted, washout	017309..00		●			●
		Toilet, floor-st., Vario outlet	024709..00			P		P
	■ Happy D.	Cistern	091000..01				●	
		Toilet, floor-st., horiz. outlet	017009..00		P	●		
		Toilet, wall-mounted	017109..00		●			●
		Toilet, floor-st., Vario outlet	017009..00			●		
	■ Katya	Toilet, wall-mounted	018409..00	●				●
	■ Metro	Toilet, one piece US version	015701..01		●			●
	■ Starck 2	Cistern, British standard	872900..01				●	
		Toilet, floor-st., Vario outlet	023809..00				●	
	Toilet, wall-mounted	016009..00			●		●	
	Toilet, one piece US version	016301..01		●			●	
■ Starck 3	Cistern, British standard	092000..01	P			P		
	Toilet, floor-st., horiz. outlet	012409..00				P		
	Toilet, cl.-coup., Vario outlet	012809..00				P		
	Toilet, wall-mount., washdown	220009..00	P	P		P	P	
	Toilet, wall-mount., compact	220209..00	P			P		
	Toilet, cl.-coup., vertical outlet	012601..00	P			P		
	Toilet, cl.-coup., horiz. outlet	012609..00	P			P		
	Vanity basin	030549..00			●			
■ Tribeca	Toilet, one piece US version	015901..01		●			●	
■ Urinals	Urinal, waterless	084436..00		●	P			
	Urinal, electronic	083035..00		P	P			
■ Vero	Washbasin	045460..00		●			●	

EU Standards

Item	Dimension	Function
Washbasin	EN 31	
Washbasin	EN 32	
Handrinse basin	EN 111	
Wall mounted toilet, close-coupled, with cistern	EN 34	EN 997
Wall mounted toilet for concealed cistern	EN 38	EN 997
Floor-standing toilet, close-coupled, with cistern	EN 33	EN 997
Floor-standing toilet for independent water supply	EN 37	EN 997
Urinal	EN 80	DIN 1390
Floor-standing bidet	EN 35	
Wall-mounted bidet	EN 36	



Design: Dieter Sieger



- GB** Washbasin
- F** Lavabo
- NL** Wastafel
- I** Lavabo
- E** Lavabo # 04176000*0/ 04176500*0/04177500*0

23 ⁵/₈ / 25 ⁵/₈ / 29 ¹/₂ inches
 ← 600/650/750 mm →

Technical Data	
#	04176000*0/04176500*0/04177500*0
Tap holes	→ Page 1-5 0417600000/0417650000/0417750000: ○ ● ○ 0417600030/0417650030/0417750030: ● ● ●
mm	600 x 480/650 x 520/750 x 525
kg	18,0/20,3/21,5
Accessories	Pedestal · Colonne · Zuil · Colonna · Pedestal, # 0863860000 Siphon cover · Cache-siphon · Sifonkap · Semicolonna · Semipedestal, # 0863850000
Installation	2 bolts · goujons · schroeven · bulloni · tornillos, 10 x 140 mm
Colour	00

mm	A	B	C	D	E	F
600	600	480	205	585	535	65
650	650	520	205	590	540	65
750	750	525	195	600	550	70

Technical Drawing
Scale 1 : 20

0417750000

X To determine height please set washbasin on pedestal.

Design: Dieter Steger



- GB** Metal console, chrome
- F** Structure Métallique, chromé
- NL** Metalenstructuur, chroom
- I** Piedi metallici, cromato
- E** Consola metálica cromada # 0030611000/0030601000

Technical Data	
#	0030611000/0030601000
	height adjustable · réglable en hauteur · in hoogte verstelbaar · regolabile in altezza · ajustable en altura
	for washbasin · pour lavabo · voor wastafel · per lavabo · para lavabo, # 0417650000 → 0030611000, # 0417750000 → 0030601000,
kg	2,3/2,3
Colour	Chrome · Chromé · Chroom · Cromato · Cromado

Technical Drawing		Scale 1 : 20
<p># 0417650000: ▶ in combination with siphon # 0050361000 = 480 mm, without = 540 mm ‡ dependent on vanity unit</p>	<p># 0417750000: ▶ in combination with siphon # 0050361000 = 480 mm, without = 550 mm ‡ dependent on vanity unit</p>	

Design: Dieter Steger



- GB** Washbasin
F Lavabo
NL Wastafel
I Lavabo
E Lavabo # 0418650000

25 ⁵/₈ inches
 ← 650 mm →

Technical Data	
#	0418650000
	Without tap platform · Sans plage · Zonder kraanwerkplaat · Senza rialzo per rubinetto · Sin plataforma para grifería
mm	650 x 445
kg	19,0
Accessories	Metal console, chrome · Structure métallique, chromé · Metalen structuur, chroom · Piedi metallici, cromato · Console de cromo, # 0030621000 Siphon chrome · Siphon chromé · Sifon chrom · Sifone cromato · Sifon cromado, # 0050361000 Pop-up basin waste, horizontal lever, in combination with usage of wall-mounted taps · Vidage à clapet commande horizontale, obligatoire avec une robinetterie murale ·

Technical Data	
Accessories	Kniehevelventiel, horizontal, in verbinding met wandmengkraan · Valvola a ginocchio, orizzontale, necessaria per l'utilizzo con rubinetteria a parete · Válvula de desagüe, horizontal, imprescindible con grifería de pared, # 0050311000 Siphon cover · Cache-siphon · Sifonkap · Semicolonna · Semipedestal, # 0863870000
Installation	WD 10
Info	Fixing distance · Fixation écart · Bevestiging afstand · Fissaggio distanza · Distancia fijaciones : 540 mm
Colour	00

Technical Drawing		Scale 1 : 20
† in combination with siphon # 0050361000 = 480 mm ‡ dependent on vanity unit		

Design: Dieter Steiger


 GB Handrinse basin

 F Lave-mains

 NL Handwasbak

 I Lavamani

 E Lavamanos # 0418500000
19 ⁵/₈ inches

500 mm

Technical Data	
#	0418500000
Tap holes	→ Page 1-5 ●
mm	500 x 250
kg	8,3
Accessories	Siphon cover · Cache-siphon · Sifonkap · Semicolonna · Semipedestal, # 0863880000 Special fixings · Fixations rapides · Snelbevestiging · Fissaggio rapido · Muelles fijadores, # 0055040000 Slotted waste · Bonde · Afvoerventiel · Piletta · Tapón de desagüe, # 0050241000

Technical Data	
Installation	2 bolts · goujons · schroeven · bulloni · tornillos, 10 x 140 mm
Colour	00

Technical Drawing		Scale 1 : 20

Design: Dieter Steger


GB Handrinse basin

F Lave-mains

NL Handwasbak

I Lavamani

E Lavamanos # 0417460000

18 7/8 inches

460 mm

Technical Data	
#	0417460000
Tap holes	→ Page 1-5 ●
mm	460 x 345
kg	10,5
Accessories	Siphon cover · Cache-siphon · Sifonkap · Semicolonna · Semipedestal, # 0863870000 Special fixings · Fixations rapides · Snelbevestiging · Fissaggio rapido · Muelles fijadores, # 0055030000

Technical Data	
Installation	2 bolts · goujons · schroeven · bulloni · tornillos, 10 x 140 mm
Colour	00

Technical Drawing		Scale 1 : 20

HAPPY D. SERIES

Design: Dieter Steger



GB Pedestal
 F Colonne
 NL Zuil
 I Colonna
 E Pedestal # 0863860000



Siphon cover
 Cache-siphon
 Sifonkap
 Semicolonna # 0863850000 / 0863870000 /
 Semipedestal 0863880000

Technical Data	
#	0863860000
	for washbasin · pour lavabo · voor wastafel · per lavabo · para lavabo, # 0417600000/0417650000/0417750000
kg	11,6
Colour	00

Technical Data	
#	0863850000/0863870000/0863880000
	→ # 0863850000 for washbasin · pour lavabo · voor wastafel · per lavabo · para lavabo, # 0417600000/0417650000/0417750000 → # 0863870000 for washbasin · pour lavabo · voor wastafel · per lavabo · para lavabo, # 0418650000, for handrinse basin · pour lave-mains · voor handwasbak · per lavamani · para lavamanos, # 0417460000 → # 0863880000 for handrinse basin · pour lave-mains · voor handwasbak · per lavamani · para lavamanos, # 0418500000
kg	6,0/4,7/3,2
Installation	# 0055030000
Installation # 041865 + 041850	# 0055040000
Colour	00

Design: Dieter Steger



- GB** Wall-mounted bidet
- F** Bidet suspendu
- NL** Wandbidet
- I** Bidet sospeso
- E** Bidé suspendido # 0256150000

Technical Data	
#	0256150000
Tap holes	→ Page 1-5 ●
kg	17,2
Installation	# 0065001000
Colour	00

Technical Drawing		Scale 1 : 20

HAPPY D. SERIES

Design: Dieter Steger



- GB Floor standing bidet
- F Bidet sur pied
- NL Staand bidet
- I Bidet a pavimento
- E Bidé de pie # 0257100000

Technical Data	
#	0257100000
Tap holes	→ Page 1-5 ○ ● ○
kg	20,5
Installation	inclusive · inclus · inclusief · incluso · incluida
Colour	00

Technical Drawing		Scale 1 : 20

Design: Dieter Sieger

US Version
IAPMO listed

- GB** Wall-mounted toilet
 F Cuvette suspendue
 NL Wand-WC
 I Vaso sospeso
 E Inodoro suspendido # 0171090000

Technical Data	
#	0171090000
Washdown toilet · Cuvette à fond creux · Diepspoel-WC · Vaso a cacciata · Inodoro de lavado inferior	
kg	18,2
Accessories	Toilet seat and cover · Abattant · WC-zitting · Sedile · Asiento y tapa, # 0066910000 Noise reduction gasket · Set de protection acoustique · Geluiddemping-set · Set insonorizzante per tutti i vasi sospesi · Junta para reducción de ruido, # 0050200000

Technical Data	
Installation	# 006500**00
Installation kit	# 001432**00
Info	** 00 – White · Blanc · Wit · Bianco · Blanco, ** 10 – Chrome · Chromé · Chroom · Cromato · Cromado
Colours	00

Technical Drawing		Scale 1 : 20

HAPPY D. SERIES

Design: Dieter Steger



- GB** Floor standing toilet
F Cuvette sur pied
NL Staand WC
I Vaso a pavimento
E Inodoro # 0174090000

Technical Data	
#	0174090000
	♦ Washdown toilet, for independent water supply · Cuvette à fond creux · Diepspoel-WC · Vaso a cacciata, per entrata dell'acqua libera · Inodoro de lavado inferior Horizontal outlet · Sortie horizontale · Horizontale afvoer · Scarico a parete · Desagüe horizontal
kg	21,0
Accessories	Toilet seat and cover · Abattant · WC-zitting · Sedile · Asiento y tapa, # 0066910000
Installation	inclusive · inclus · inclusief · incluso · incluida
Colours	00

	A	Z
Flushometer · Robinet de chasse d'eau · Drukspoelsysteem · Pulsante di risciacquo · Fluxometro	195	150
Concealed cistern · Réservoir caché · Reservoir verborgen · Cassetta nascosta · Cisterna oculta	145	100
Cistern · Réservoir · Reservoir · Cassetta di sciacquo esterna · Cisterna	265	220

Technical Drawing		Scale 1 : 20

Design: Dieter Steger



- GB** Floor standing toilet
F Cuvette sur pied
NL Staand WC
I Vaso a pavimento
E Inodoro # 0170090000

Technical Data	
#	0170090000
	Washdown toilet · Cuvette à fond creux · Diepspoel-WC · Vaso a cacciata · Inodoro de lavado inferior Horizontal outlet · Sortie horizontale · Horizontale afvoer · Scarico a parete · Desagüe horizontal
kg	24,2
Accessories	Cistern · Réservoir · Reservoir · Cassetta · Cisterna, # 0910000001/0910100001 Toilet seat and cover · Abattant · WC-zitting · Sedile · Asiento y tapa, # 0066910000
Installation	inclusive · inclus · inclusief · incluso · incluida

Technical Data	
Info	Vario outlet set · Set de raccordement universel Vario · Vario-set voor universele aansluiting · Completo di allacciamento Vario · Surtido de conexión Vario, # 0014220000 Special connector for vertical outlet · Afvoer buis speciaal voor verticale aansluiting · Tubo d'uscita speciale per allacciamento verticale · Tubo de desagüe especial para salida vertical, # 8990250006 With universal outlet horizontal/vertical · Avec sortie universelle horizontale/verticale · Met universele afvoer voor horizontale/verticale aansluiting · Con scarico universale per allacciamento orizzontale/verticale · Con surtido universal horizontal/vertical
Colours	00

Technical Drawing		Scale 1 : 20
	# 0014220000	# 0014220000
	# 0014220000	# 8990250006

Design: Dieter Steger



- GB** Floor standing toilet
- F** Cuvette sur pied
- NL** Staand WC
- I** Vaso a pavimento
- E** Inodoro # 0172090000

Technical Data	
#	0172090000
	♣ Washdown toilet · Cuvette à fond creux · Diepspoel-WC · Vaso a cacciata · Inodoro de lavado inferior Horizontal outlet · Sortie horizontale · Horizontale afvoer · Scarico a parete · Desagüe horizontal
kg	21,0
Accessories	Cistern · Réservoir · Reservoir · Cassetta · Cisterna, # 0910000001/0910100001 Toilet seat and cover · Abattant · WC-zitting · Sedile · Asiento y tapa, # 0066910000
Installation	inclusive · inclus · inclusief · incluso · incluida
Colours	00

Technical Drawing		Scale 1 : 20



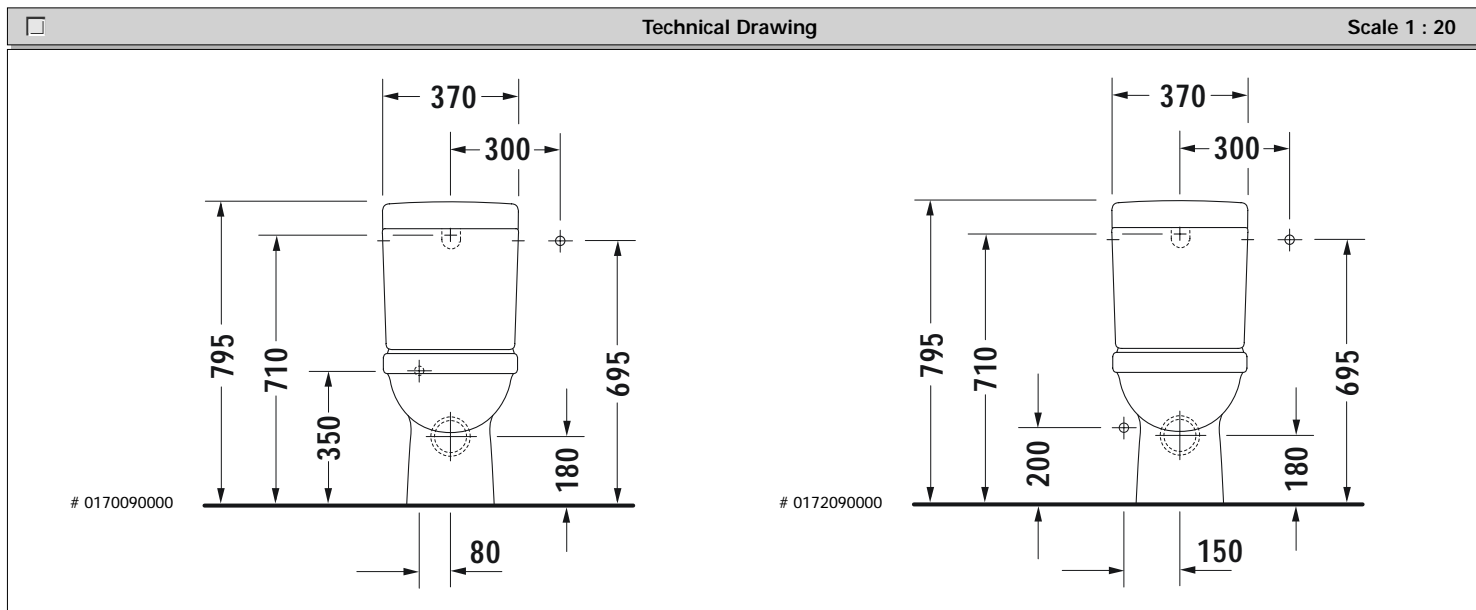
Design: Dieter Steger



- GB Cistern
- F Réservoir
- NL Reservoir
- I Cassetta
- E Cisterna # 0910000001 / 0910100001

	Technical Data
#	0910000001 / 0910100001
	<ul style="list-style-type: none"> ◆ Back or side supply · Alimentation latérale ou arrière · Voor aansluiting links/rechts en achter · Per attacco sinistro, destro o centrale · Suministro de agua en la parte posterior o lateral, # 0910000001 ◆ Bottom supply · Alimentation par dessous · Voor aansluiting onderaan links · Per attacco sinistro basso · Suministro de agua en la parte inferior, # 0910100001
	With mechanism chrome with Dual-flush technology for 3/6 litre-flush · Avec mécanisme chromé, Dual-flush pour rinçage 3/6 litres · Met chroom mechanisme voorzien van een 3/6 liter drukknop · Con batteria cromata con tecnologia "Dual Flush" per sciacquo 3/6 litri · Con mecanismo cromado para 3/6 litros

	Technical Data
kg	12,8/12,8
Accessories	Conversion set for back supply · Set de transformation · Aanpassingsset van achteraansluiting naar zijdelingse te veranderen · Set per allacciamento successivo per attacco centrale · Surtido para conversión centrada, 0074981000
Colours	00



HAPPY D. SERIES

Design: Dieter Steger



- GB Cistern
- F Réservoir
- NL Reservoir
- I Cassetta
- E Cisterna # 0910200001

Technical Data	
#	0910200001
	♦ → Cistern British standard, bottom supply, With mechanism chrome
kg	12,8
Colours	00

Technical Drawing		Scale 1 : 20
<p># 0170090000</p>	<p># 0172090000</p>	



Design: Dieter Steger

**GB** Toilet seat and cover**F** Abattant**NL** WC-zitting**I** Sedile**E** Asiento y tapa # 0066910000

Technical Data	
#	0066910000
kg	3,0
Info	Hinges stainless steel · Charnières inox · Scharnieren edelstaal · Cerniere acciaio inox · Bisagras inoxidable
Colour	00