



Looking for a Jacuzzi® bath for two? Consider the Duetta™ Salon™ Spa, a lush, oval whirlpool designed for discerning bathers.

FEATURES:

- Multi-speed motor
- 4 fully adjustable TheraPro® jets
- 8 adjustable foot and back jets
- Flexible drop-in or undermount installation options
- 900 watt variable speed heated air blower
- Bottom air channels for maximum massage
- Chromatherapy™ lighting system capable of 256 colors
- All-in-one electronic control panel
- Low-profile deck
- Drain-assist purge system
- RapidHeat™ inline heater
- PrO₃™ Cleansing System

**Duetta™ 6636
SALON™ SPA**

MODEL NUMBER:
DZ20 (Right-hand)

EXTERIOR DIMENSIONS:
66" long x 36" wide x
26" high

OF JETS/TYPE OF JETS:
4 TheraPro™
8 Back Jets & Foot Jets

OPERATING GALLONS:
78 gallons



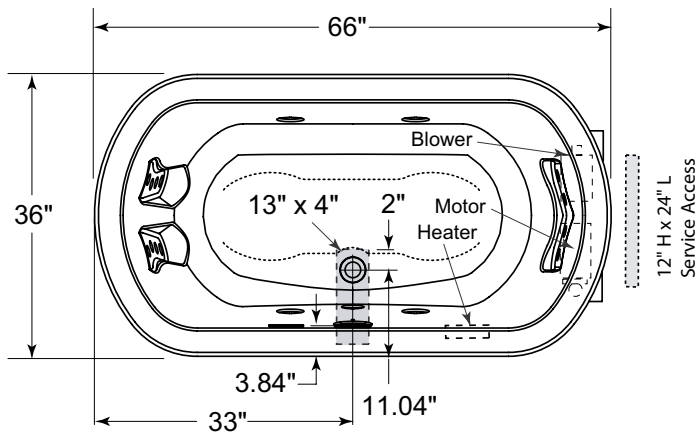


Duetta™ 6636 SALON™ SPA

DZ20

Duetta™ 6636 Salon™ Spa with Chromatherapy – Right Hand

- Center Drain Location
- Accessories / Hardware:
 - TheraPro Jet Rings Kit: #D095
 - Sch 40, Rotary Drain Kit: #DA34
- Trim Kit Finishes Available:
 - (827) – Chrome
 - (898) – Brushed Chrome
 - (815) – Satin Nickel
 - (829) – Bright Brass
 - (805) – Platinum
 - (826) – Brushed Nickel
 - (845) – Oil Rubbed Bronze



Product Shown: Duetta™ 6636 Salon™ Spa Right Hand Shown Model: DZ20

* Measurements inside unit represent cutout in floor to allow for drain/overflow.

Minimum Service Access dimensions given.

INSTALLATION NOTES

Refer to installation instructions included with fixture before beginning installation. Please confirm product availability and specifications before commencing with any installation work.

PRODUCT SPECIFICATIONS AND AVAILABILITY ARE SUBJECT TO CHANGE WITHOUT NOTICE.

Technical Specifications

DIMENSIONS

66" L x 36" W x 26" H
(1676 mm) L x (914 mm) W x (660 mm) H

DRAIN/OVERFLOW

A: 18.4" (467 mm) B: 11" (279 mm)

CUTOUT

Template Provided Part Number: DA08000

TOTAL WEIGHT

1028 lb (466 kg) / 62.3 lb/ft² (304 kg/m²)

OPERATING GALLONAGE

78 U.S. Gal. (295 Liters)
Max: 80 U.S. Gal (303 liters)

PRODUCT WEIGHT

160 lb (73 kg)

SKIRT MOUNTING

Not Available

ELECTRICAL SPECIFICATIONS

Requires a dedicated GFCI protected separate circuit.

Blower: 120VAC, 20AMP, 60 Hz.
Motor/Pump and RapidHeat™: 240VAC, 20AMP, 60 Hz.

HEATER (STANDARD)

Requires a dedicated GFCI protected separate circuit.

RapidHeat™: P/N BN60000

