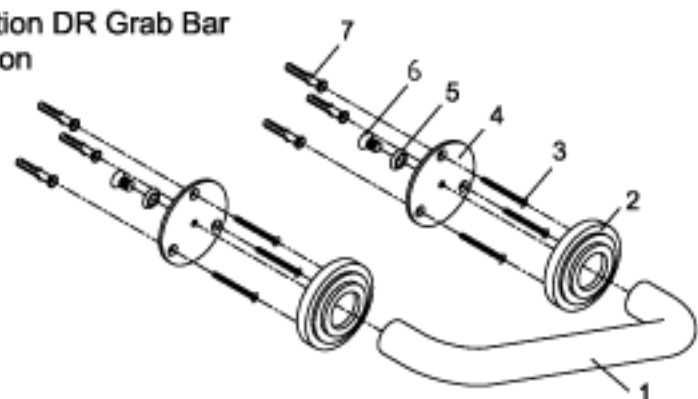


### Restoration DR Grab Bar Installation



PART NAME	QUANTITY	PART NAME	QUANTITY
① Bar	1	⑤ Spacer	2
② Cover	2	⑥ Screw	2
③ Mounting Screw	6	⑦ Anchor	6
④ Mounting Plate	2		

#### Installation Steps:

- Step 1. Locate position on the wall and mark location of the holes for mounting screws .(Fig.1)
- Step 2. Drill holes at the marked locations.(Fig.2)
- Step 3. Insert anchors into the holes until flush with wall. (Fig.3)
- Step 4. Place the unit by tightening mounting screws with phillips screwdriver until the base is tightly fixed. (Fig.4)
- Step 5. Shift cover along the bar and place the cover over the mounting plate by pressing gently until the cover is tightly fixed. (Fig.5)

#### TOOLS REQUIRED



Flat Head Screwdriver  
Phillips Screwdriver  
Marking Pencil



Hammer  
Power Drill

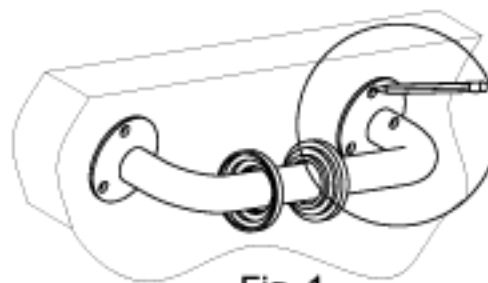


Fig. 1

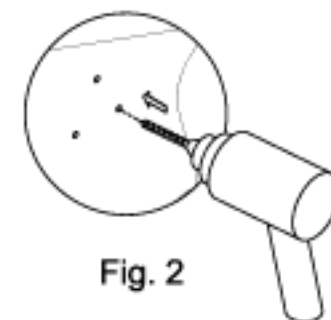


Fig. 2



Fig. 3

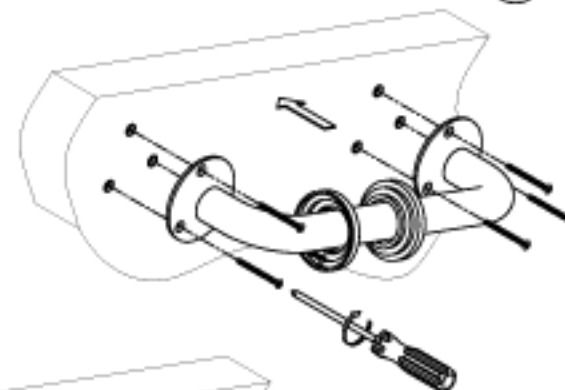


Fig. 4

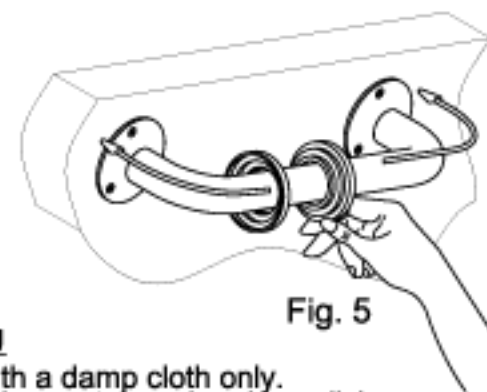


Fig. 5

#### Cleaning

Clean with a damp cloth only.  
Avoid using metal or abrasive polishes.

[www.kingstonbrass.com](http://www.kingstonbrass.com)

TOLL-FREE CUSTOMER SERVICE: 877-2-KBRASS  
TECHNICAL SUPPORT E-mail: [service@kingstonbrass.com](mailto:service@kingstonbrass.com)  
6240 Prescott Court, Chino, CA91710