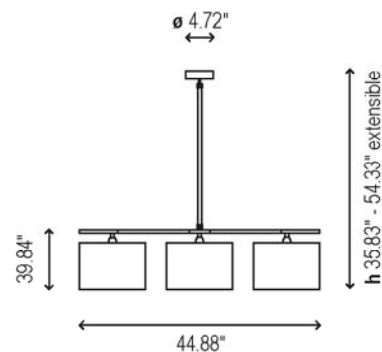


DANONA 3 PENDANT

Clean geometry combines with exquisitely crafted cotton or cartulina shading to provide subtle sophistication in a variety of formats.

BOVER

Powered by
Global Lighting



attributes

canopy: satin nickel or black iron

shades: raw cotton or cartulina

each shade:


bottom: ϕ 10.63"

height: 7.09"

top: ϕ 10.63"

supports: satin nickel with
dark leather or black iron
with caramel leather

lampping

 3 x 100W A-19

model numbers

4323160U-P-150 nickel, dark leather/
cotton

4323160U-P-156 nickel, dark leather/
cartulina

4323150U-P-150 black iron, caramel
leather/cotton

4323150U-P-156 black iron, caramel
leather/cartulina

lampping

 3 x 18W twist lock GU24
self ballasted lamp

model numbers

4323160U-P-150-18 nickel, dark leather/
cotton

4323160U-P-156-18 nickel, dark leather/
cartulina

4323150U-P-150-18 black iron, caramel
leather/cotton

4323150U-P-156-18 black iron, caramel
leather/cartulina

