

3" PARMA™ THREE FUNCTION SHOWERHEAD

Description

- 3 functions: regular, massage and aerated drench
- Metal ball joint for angle adjustment of showerhead
- With 71 jets

Flow & Valving

- See Chart

Flow Rate

- Conforms to Energy Policy Act of 1992 - maximum flow rate at 80psi of 2.5gpm.

Standards

- Listed IAPMO/UPC
- CSA B125
- Energy policy act of 1992

Warranty

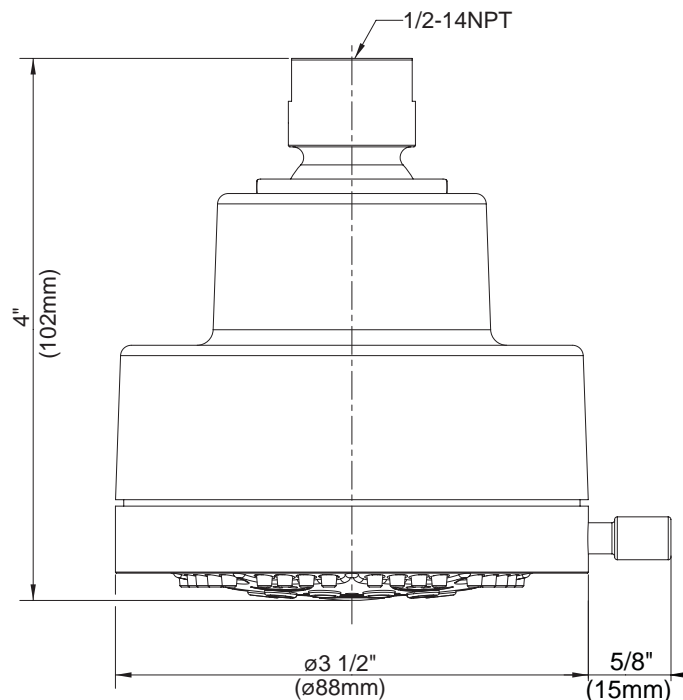
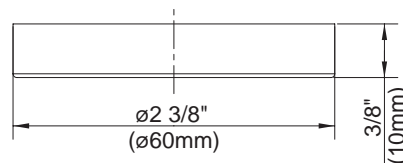
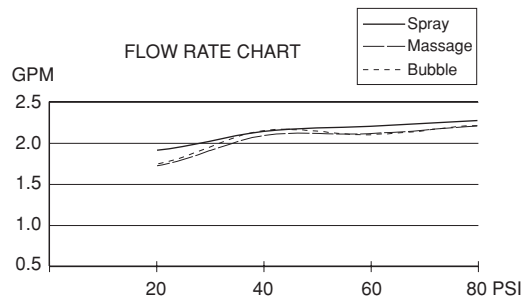
Danze products are covered by a manufacturer's limited "lifetime" warranty for manufacturing defects.



D460010

Available Colors & Finish

- Chrome
- Brushed Nickel (BN)



Specific Features: _____ Submitted Model No.: _____

SD460010/09-07.02