



In Italy, it means beautiful view. To you, a wonderful place to regain relaxed, revitalized perspective. Set aside one corner of your world as a corner of renewal the Bellavista.™

**FEATURES:**

- 4 fully adjustable PowerPro® jets
- 4 spinning neck jets
- 2 AccuPro™ jets
- Sculpted armrest and contoured backrest
- Multi-speed motor
- RapidHeat™ inline heater
- 256 Chromatherapy lighting system
- Wave Pulse™ system
- All-in-one electronic control panel
- Water level sensor
- ProO<sub>3</sub>™ Ozone Sanitation System standard

*Detail: The Bellavista™ whirlpool bath's perfectly placed PowerPro® and AccuPro™ jets work in concert with a deeply contoured backrest to offer the ultimate in hydrotherapy.*

**Bellavista™  
CORNER  
WHIRLPOOL BATH**

**MODEL NUMBER:**  
EE25

**EXTERIOR DIMENSIONS:**  
60" long x 60" wide  
x 22" high

**INTERIOR DIMENSIONS:**  
41" long x 34" wide

**# OF JETS/TYPE OF JETS:**  
4 PowerPro® Jets  
4 AccuPro™ Neck Jets  
2 AccuPro™ Foot Jets

**OPERATING GALLONS:**  
87 gallons





# Bellavista™ CORNER WHIRLPOOL BATH

**EE25** Bellavista™ Corner Whirlpool Bath with RapidHeat™ Right Hand

- Center Drain Location
- Accessories / Hardware:
  - HTA Jet Rings Kit: #M952
  - 2 x BMH Jet Trim Kit: #J869
  - 2 x Neck Jet Rings Trim Kit: #P556
  - Oval Trim Kit: #N557
  - Rotary Drain Kit, 26" Cable: #8730
  - Rotary Drain Kit SCH 40: # DA34
- Trim Kit Finishes Available:
  - (827) – Chrome
  - (898) – Brushed Chrome
  - (815) – Satin Nickel
  - (829) – Bright Brass
  - (805) – Platinum
  - (826) – Brushed Nickel
  - (845) – Oil Rubbed Bronze

### INSTALLATION NOTES

Refer to installation instructions included with fixture before beginning installation. Please confirm product availability and specifications before commencing with any installation work.

PRODUCT SPECIFICATIONS AND AVAILABILITY ARE SUBJECT TO CHANGE WITHOUT NOTICE.

### Technical Specifications

#### DIMENSIONS

60" L x 60" W x 22" H  
(1524 mm) L x (1524 mm) W x (559 mm) H

#### DRAIN/OVERFLOW

A: 18-7/8" (479 mm) B: 14" (356 mm)

#### CUTOUT

Template Provided

#### TOTAL WEIGHT

1046 lb (474 kg) / 42 lb/ft<sup>2</sup> (205 kg/m<sup>2</sup>)

#### OPERATING GALLONAGE

87 U.S. Gal. (329 Liters),  
Min. 83 U.S. Gal. (314 Liters)  
Max. 91 U.S. Gal. (344 Liters)

#### PRODUCT WEIGHT

130 lb. (59 kg)

#### SKIRT MOUNTING

Not Available

#### ELECTRICAL SPECIFICATIONS

**Requires a dedicated GFCI protected separate circuit.**

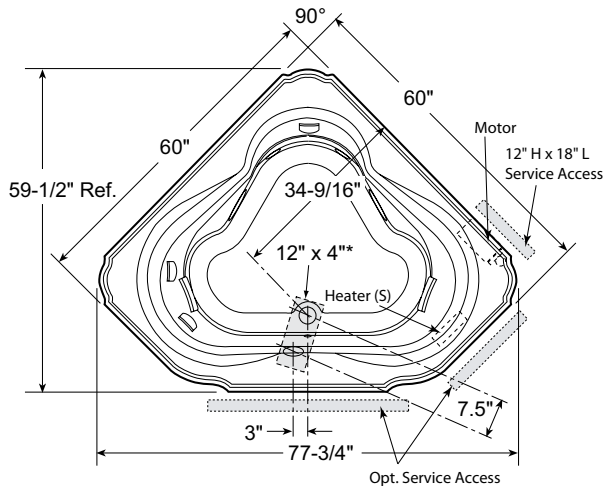
Motor/Pump: 120 VAC, 20 AMP, 60 Hz.

RapidHeat™: 120 VAC, 15 AMP, 60 Hz.

#### HEATER (STANDARD)

**Requires a dedicated GFCI protected separate circuit.**

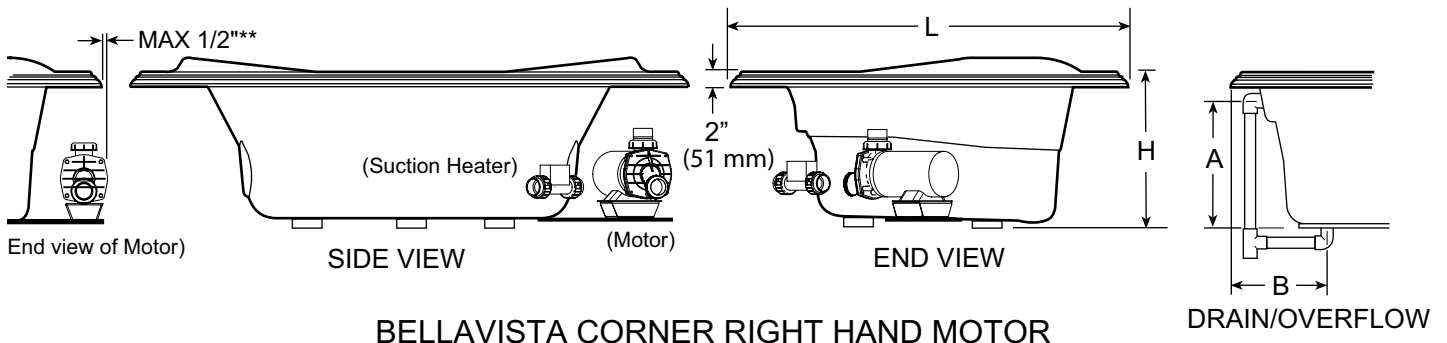
RapidHeat™: P/N S750000



### Product Shown: Bellavista Corner™ Right Hand Whirlpool Bath, Model: EE25

\* Measurements inside unit represent cutout in floor to allow for drain/overflow.

Minimum Service Access dimensions given.



BELLAVISTA CORNER RIGHT HAND MOTOR

DRAIN/OVERFLOW