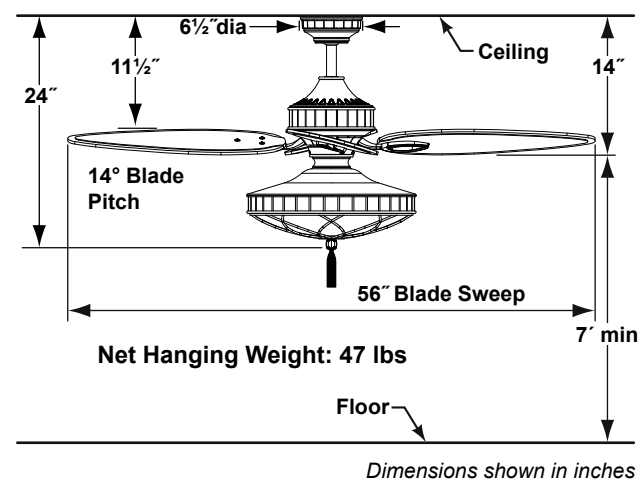


Lauren Brooks

CEILING FANS
BY FANIMATION®

LB270VZ Fan Assembly



Dimensions shown in inches

Fan Assembly Includes:

- Fan Motor Assembly with Decorative Housing and Canopy
- Cairo Purple Wood Blades
- Filigree Glass Bowl Light Kit Assembly with Tassel

INSTALLATION REQUIREMENTS:

Ceiling fan attaches to electrical junction box securely anchored and capable of withstanding a load of at least 50 lbs.

ELECTRICAL REQUIREMENTS:

Ceiling fan requires a grounded electrical supply line of 120 volts AC, 60 Hz, 15 amp circuit.

FAN SPEEDS:

4-speeds, reverse switch (on switch cup housing): High – 150 rpm; Med – 110 rpm; Low – 75 rpm

CONTROL OPTIONS:

The 3-wire wall control (C27) is included. Wall control unit will consist of 4 separate speeds, infinitely varying down light controls. Optional C4 remote control with canopy receiver is available. Installation and operating instructions provided with the control.

LIGHTING OPTIONS:

The down light kit assembly is included with this fan. Maximum of 120 watts (three 40-watt, candelabra bulbs - not included).

DOWNROD OPTIONS:

This fan comes with a standard 6" downrod. Optional downrods are available in 12", 18", 24", 36", 48", 60", and 72". The fan can be mounted on a sloped ceiling up to 30°. Most sloped ceiling installations require a downrod longer than the standard 6" downrod. Optional sloped ceiling ball kits (SCB52) are available for up to 52°. Call tech support for more information.

BLADE SETS:

Four Cairo Purple wood blades and blade holders are included with this fan. Not recommended for Damp Location.

DAMP LOCATION:

Fan assembly not rated for Damp Location usage.



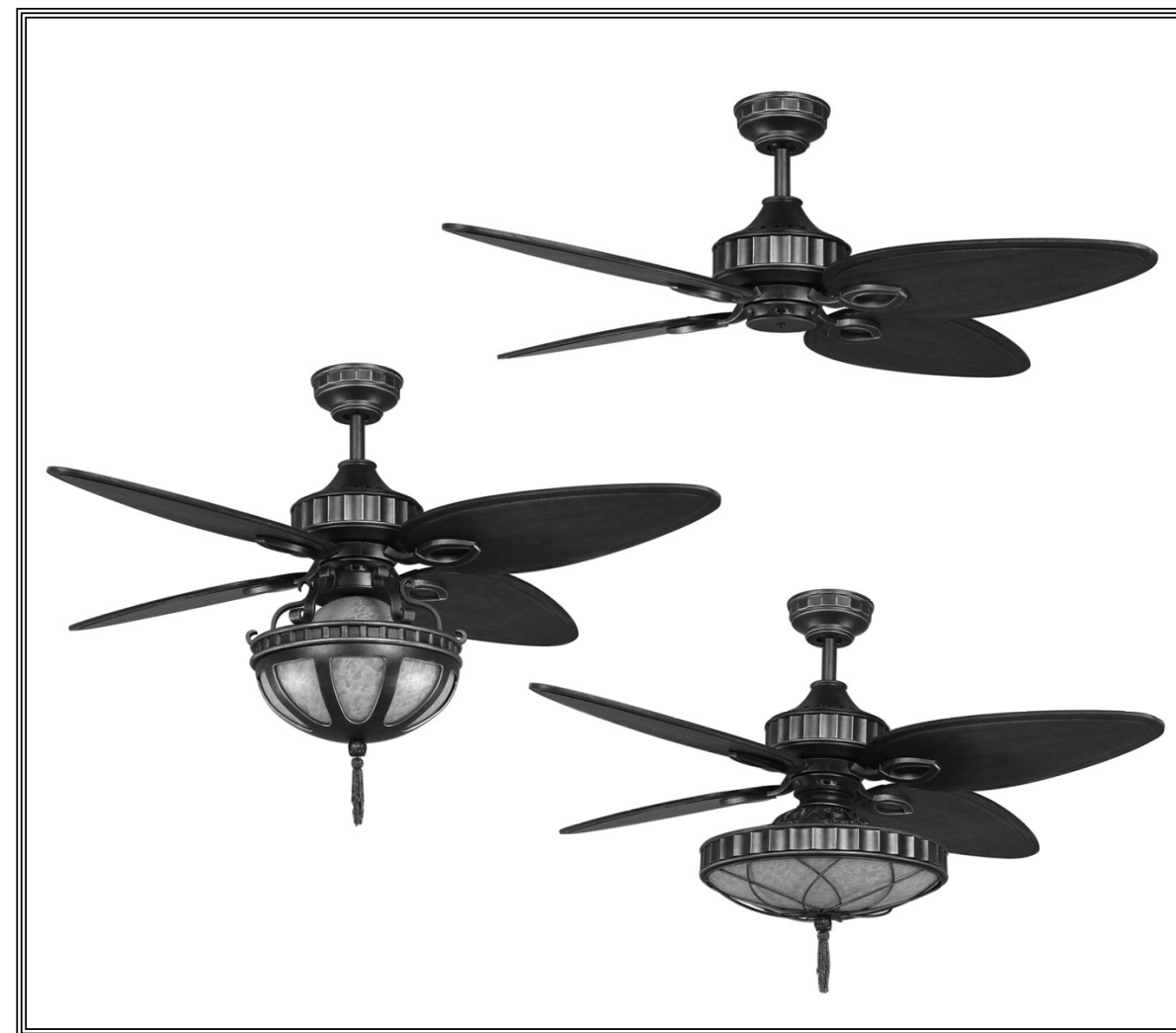
10983 Bennett Parkway
Zionsville, IN 46077
Toll Free (888) 567-2055
FAX (866) 482-5215
Outside U.S. call (317) 733-4113
Visit Our Website www.fanimation.com



Copyright 2007 Fanimation, Inc.
2007/12

Lauren Brooks™ & Lauren Brooks Collection™ are trademarks of Lauren Brooks, Inc.

The Bayhill™ Collection Series Fans



SPECIFICATION SHEET

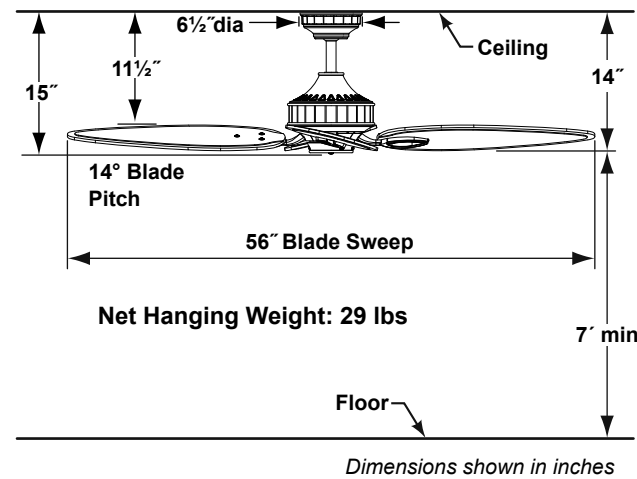


Product Specifications subject to change

Lauren Brooks

CEILING FANS
BY FANIMATION®

LB250VZ Fan Assembly



Fan Assembly Includes:

- Fan Motor Assembly with Decorative Housing and Canopy
- Cairo Purple Wood Blades

INSTALLATION REQUIREMENTS:

Ceiling fan attaches to electrical junction box securely anchored and capable of withstanding a load of at least 50 lbs.

ELECTRICAL REQUIREMENTS:

Ceiling fan requires a grounded electrical supply line of 120 volts AC, 60 Hz, 15 amp circuit.

FAN SPEEDS:

4-speeds, reverse switch (on switch cup housing): High – 150 rpm; Med – 110 rpm; Low – 75 rpm

CONTROL OPTIONS:

The 3-wire wall control (C27) is included. Wall control unit will consist of 4 separate speeds, infinitely varying down light controls. Optional C4 remote control with canopy receiver is available. Installation and operating instructions provided with the control.

DOWNROD OPTIONS:

This fan comes with a standard 6" downrod. Optional downrods are available in 12", 18", 24", 36", 48", 60", and 72". The fan can be mounted on a sloped ceiling up to 30°. Most sloped ceiling installations require a downrod longer than the standard 6" downrod. Optional sloped ceiling ball kits (SCB52) are available for up to 52°. Call tech support for more information.

BLADE SETS:

Four Cairo Purple wood blades and blade holders are included with this fan. Not recommended for Damp Location.

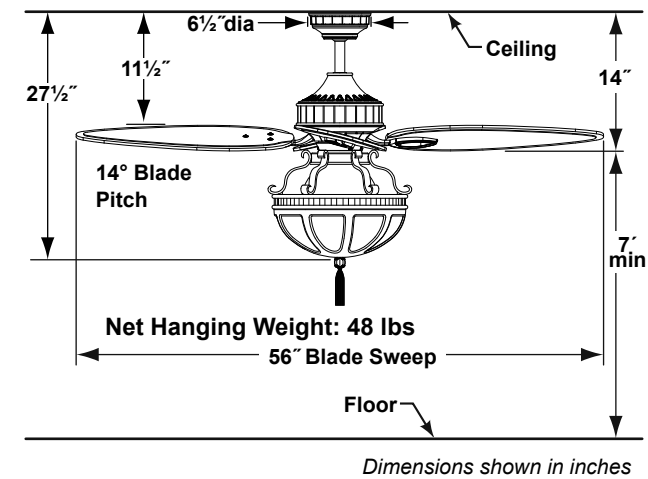
DAMP LOCATION:

Fan assembly not rated for Damp Location usage.

Lauren Brooks

CEILING FANS
BY FANIMATION®

LB230VZ Fan Assembly



Fan Assembly Includes:

- Fan Motor Assembly with Decorative Housing and Canopy
- Cairo Purple Wood Blades
- Dual Glass Bowl Light Kit Assembly with Tassel

INSTALLATION REQUIREMENTS:

Ceiling fan attaches to electrical junction box securely anchored and capable of withstanding a load of at least 50 lbs.

ELECTRICAL REQUIREMENTS:

Ceiling fan requires a grounded electrical supply line of 120 volts AC, 60 Hz, 15 amp circuit.

FAN SPEEDS:

4-speeds, reverse switch (on switch cup housing): High – 150 rpm; Med – 110 rpm; Low – 75 rpm

CONTROL OPTIONS:

The 3-wire wall control (C27) is included. Wall control unit will consist of 4 separate speeds, infinitely varying down light controls. Optional C4 remote control with canopy receiver is available. Installation and operating instructions provided with the control.

LIGHTING OPTIONS:

The down light kit assembly is included with this fan. Maximum of 120 watts (three 40-watt, candelabra bulbs - not included).

DOWNROD OPTIONS:

This fan comes with a standard 6" downrod. Optional downrods are available in 12", 18", 24", 36", 48", 60", and 72". The fan can be mounted on a sloped ceiling up to 30°. Most sloped ceiling installations require a downrod longer than the standard 6" downrod. Optional sloped ceiling ball kits (SCB52) are available for up to 52°. Call tech support for more information.

BLADE SETS:

Four Cairo Purple wood blades and blade holders are included with this fan. Not recommended for Damp Location.

DAMP LOCATION:

Fan assembly not rated for Damp Location usage.