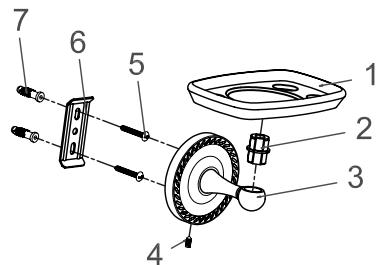


KINGSTON BRASS TM

THE TRADITION OF FINE BRASS

American Collection Tooth Brush/Tumbler Holder Installation



PART NAME	QUANTITY	PART NAME	QUANTITY
① Dish	1	⑤ Mounting Screw	2
② Plastic Joint	1	⑥ Mounting Plate	1
③ Base	1	⑦ Anchor	2
④ Slotted Set Screw	1		

Installation Steps:

- Step 1. Locate position on the wall and mark outline of cover plate on the wall. (Fig.1)
- Step 2. Unscrew Slotted Set Screw at base and remove mounting plate.
- Step 3. Locate mounting plate in the center of outline. Mark location of the mounting screw (Fig.2) and drill holes at the marked location.
- Step 4. Insert anchors into the holes until flush with wall. (Fig.3)
- Step 5. Screw the mounting plate to wall with mounting screw. (Fig.4)
- Step 6. Place the unit, with the small hole of cover plate underneath, over the mounting plate by tightening slotted set screw with flat head screwdriver until the base is tightly fixed. (Fig.5)

MODEL	FINISH	MODEL	FINISH
BA 916C	Chrome	BA 916SN	Satin Nickel
BA 916PB	Polished Brass	BA 916ORB	Oil Rubbed Bronze

TOOLS REQUIRED

	Flat Head Screwdriver		Hammer
	Phillips Screwdriver		Power Drill
	Marking Pencil		

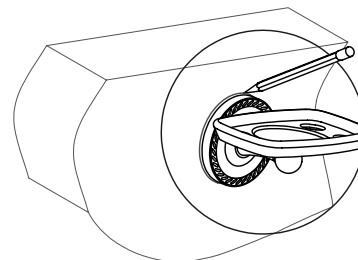


Fig. 1

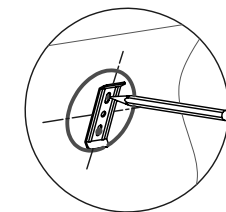


Fig. 2

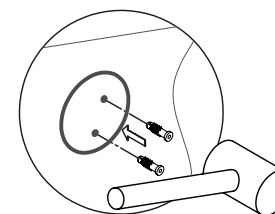


Fig. 3

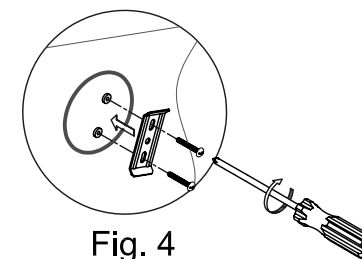


Fig. 4

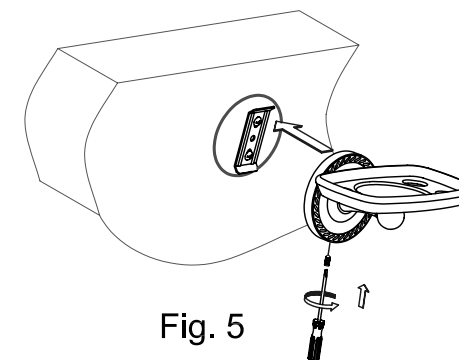


Fig. 5

Cleaning

Clean with a damp cloth only.
Avoid using metal or abrasive polishes.

www.kingstonbrass.com

TOLL-FREE CUSTOMER SERVICE: 877-2-KBRASS
TECHNICAL SUPPORT E-mail: service@kingstonbrass.com
6240 Prescott Court, Chino, CA91710