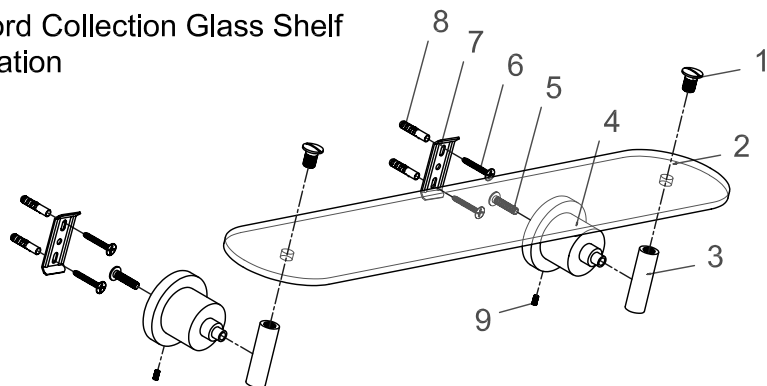


KINGSTON BRASS TM

THE TRADITION OF FINE BRASS

Concord Collection Glass Shelf Installation



PART NAME	QUANTITY	PART NAME	QUANTITY
① Screw	2	⑥ Mounting Screw	4
② Glass Plate	1	⑦ Mounting Plate	2
③ Joint	2	⑧ Anchor	4
④ Base	2	⑨ Slotted Set Screw	2
⑤ Screw	2		

Installation Steps:

- Step 1. Locate position on the wall and mark outline of cover plate on the wall. (Fig.1)
- Step 2. Unscrew Slotted Set Screw at base and remove mounting plate.
- Step 3. Locate mounting plate in the center of outline. Mark location of the mounting screw (Fig.2) and drill holes at the marked location.
- Step 4. Insert anchors into the holes until flush with wall. (Fig.3)
- Step 5. Screw the mounting plate to wall with mounting screw. (Fig.4)
- Step 6. Repeat steps from 3 to 5 to another side.
- Step 7. Place the unit, with the small hole of cover plate underneath, over the mounting plate by tightening slotted set screw with flat head screwdriver until the base is tightly fixed. (Fig.5)

MODEL	FINISH	MODEL	FINISH
BA 8219C	Chrome	BA 8219SN	Satin Nickel

TOOLS REQUIRED

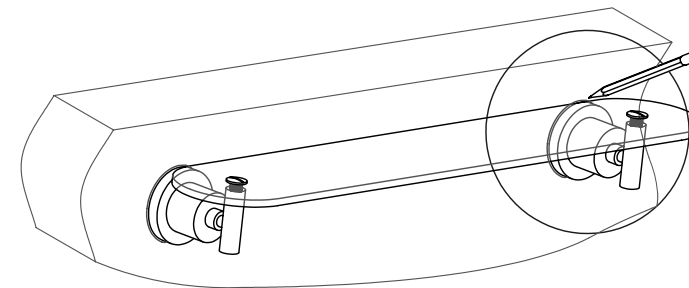
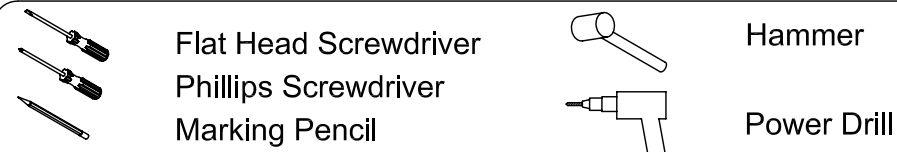


Fig. 1

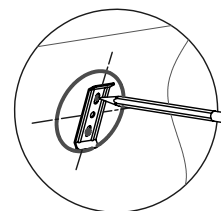


Fig. 2

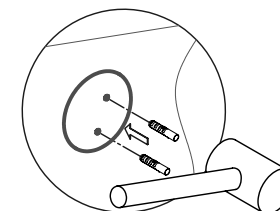


Fig. 3

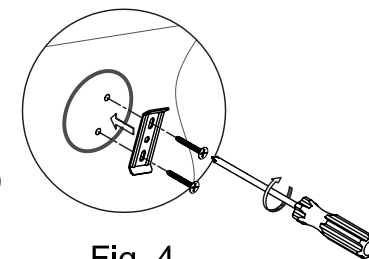


Fig. 4

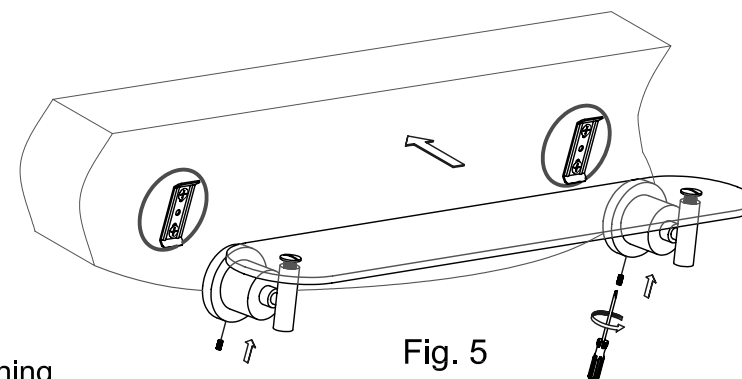


Fig. 5

Cleaning

Clean with a damp cloth only.
Avoid using metal or abrasive polishes.

www.kingstonbrass.com

TOLL-FREE CUSTOMER SERVICE: 877-2-KBRASS
TECHNICAL SUPPORT E-mail: service@kingstonbrass.com
6240 Prescott Court, Chino, CA91710