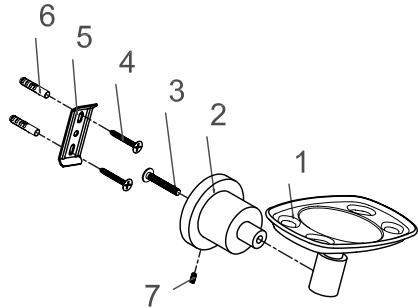


# KINGSTON BRASS <sup>TM</sup>

**THE TRADITION OF FINE BRASS**

## Concord Collection Tooth Brush/Tumbler Holder Installation



PART NAME	QUANTITY	PART NAME	QUANTITY
① Dish	1	⑤ Mounting Plate	1
② Base	1	⑥ Anchor	2
③ Screw	1	⑦ Slotted Set Screw	1
④ Mounting Screw	2		

### Installation Steps:

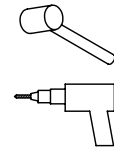
- Step 1. Locate position on the wall and mark outline of cover plate on the wall. (Fig.1)
- Step 2. Unscrew Slotted Set Screw at base and remove mounting plate.
- Step 3. Locate mounting plate in the center of outline. Mark location of the mounting screw (Fig.2) and drill holes at the marked location.
- Step 4. Insert anchors into the holes until flush with wall. (Fig.3)
- Step 5. Screw the mounting plate to wall with mounting screw. (Fig.4)
- Step 6. Place the unit, with the small hole of cover plate underneath, over the mounting plate by tightening slotted set screw with flat head screwdriver until the base is tightly fixed. (Fig.5)

MODEL	FINISH	MODEL	FINISH
BA 8216C	Chrome	BA 8216SN	Satin Nickel

### TOOLS REQUIRED



Flat Head Screwdriver  
Phillips Screwdriver  
Marking Pencil



Hammer  
Power Drill

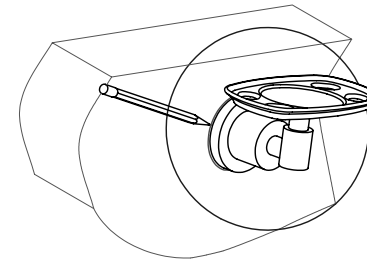


Fig. 1

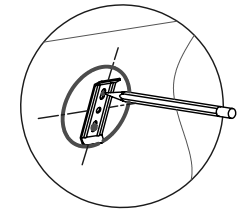


Fig. 2

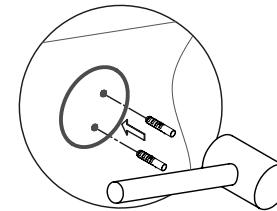


Fig. 3

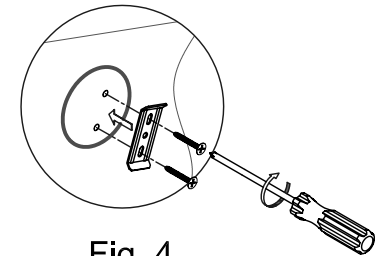


Fig. 4

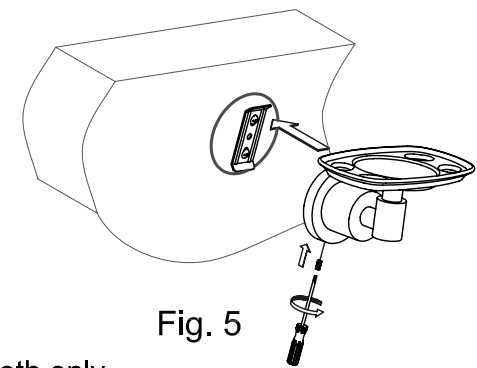


Fig. 5

### Cleaning

Clean with a damp cloth only.  
Avoid using metal or abrasive polishes.

[www.kingstonbrass.com](http://www.kingstonbrass.com)

TOLL-FREE CUSTOMER SERVICE: 877-2-KBRASS  
TECHNICAL SUPPORT E-mail: [service@kingstonbrass.com](mailto:service@kingstonbrass.com)  
6240 Prescott Court, Chino, CA91710