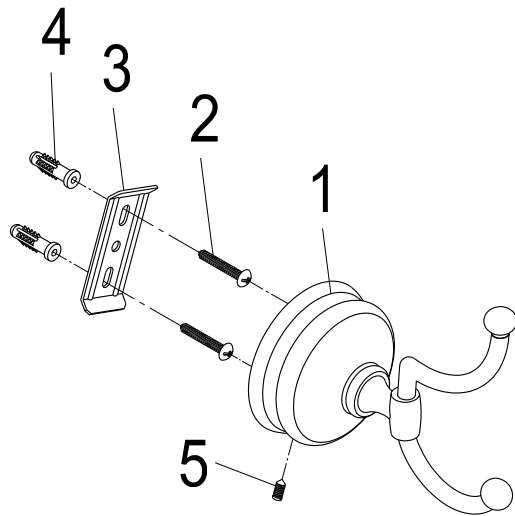


## Robe Hook Installation



PART NAME	QUANTITY	PART NAME	QUANTITY
① Base	1	④ Anchor	2
② Mounting Screw	2	⑤ Slotted Set Screw	1
③ Mounting Plate	1		

www.kingstonbrass.com  
TOLL-FREE CUSTOMER SERVICE: 877-2-KBRASS  
TECHNICAL SUPPORT E-mail: service@kingstonbrass.com  
6240 Prescott Court, Chino, CA91710

## TOOLS REQUIRED

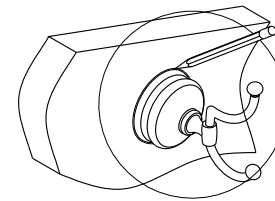
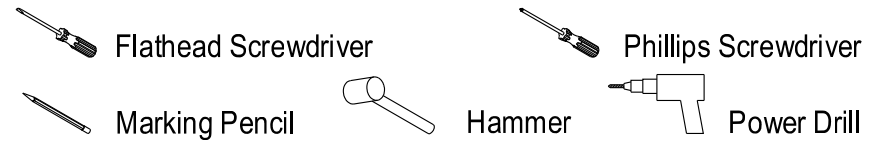


Fig. 1

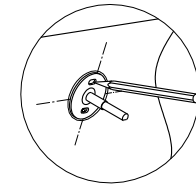


Fig. 2

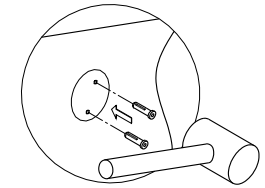


Fig. 3

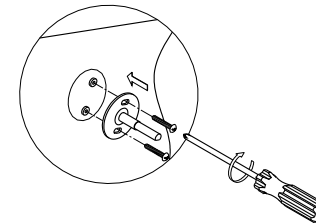


Fig. 4

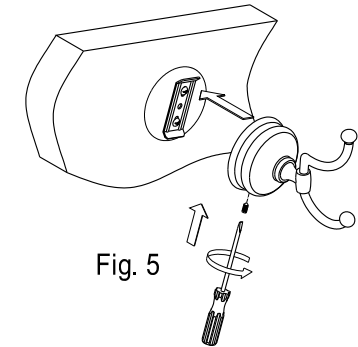


Fig. 5

## Installation Steps:

- Step 1. Locate position on the wall and mark outline of cover plate on the wall. (Fig.1)
- Step 2. Unscrew Slotted Set Screw at base and remove mounting plate.
- Step 3. Locate mounting plate in the center of circle. Mark location of the mounting screw (Fig.2) and drill holes at the marked location.
- Step 4. Insert anchors into the holes until flush with wall. (Fig.3)
- Step 5. Screw the mounting plate to wall with mounting screw. (Fig.4)
- Step 6. Place the base, with the small hole of cover plate upwards, over the mounting plate by tightening slotted set screw with flathead screwdriver until the base is tightly fixed. (Fig.5)

## Cleaning

Clean with a damp cloth only.  
Avoid using metal or abrasive polishes.