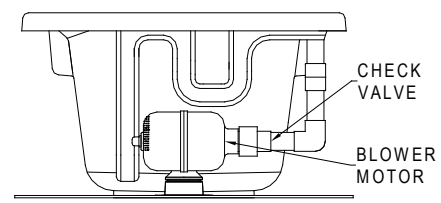
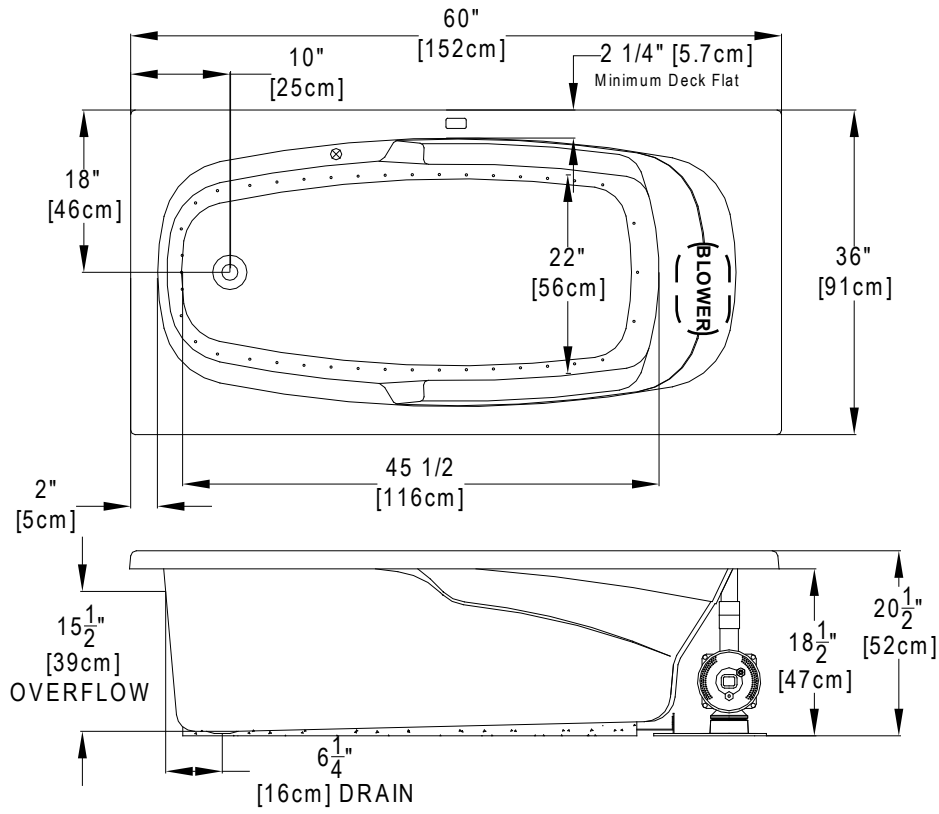


Integrity™ Collection Specifications

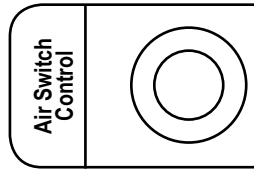
AirMasseur® - B3660



Patents recieved or pending.

Note: Dimensional Tolerances: ±1/4"

Drop-in-Hole Size:	34" x 58"
Operating Capacity:	37 Gal.
Overflow Capacity:	56 Gal.
Floor Loading / sq.ft.:	47.2 lbs.
Carton Weight:	108 lbs.
Cube:	31.3 ft. ³



Includes a quiet, 120v, 1HP, variable speed air blower with an integral air heater, 20-minute timer and automatic purge cycle. Air switch operates the On/Off and blower speed functions. Requires (1) 15A, 120v GFCI protected circuit.

Construction: Reinforced Acrylic shell mounted on Level Form™ pre-leveled full support base.

We provide products listed with Intertek ETL SEMKO (Edison Testing Laboratories) U.S. and Canadian and with International Association of Plumbing and Mechanical Officials (IAPMO). Consult factory with your listing requirements.