



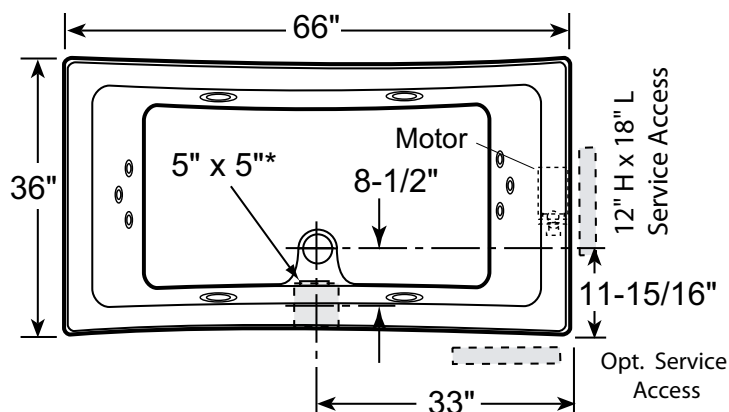
Allusion® 6636 WHIRLPOOL BATH

ED85 Allusion® 6636 Whirlpool Bath Right Hand Pump

Allusion® 6636 SOAKER BATH

BA07 Allusion® 6636 Bath

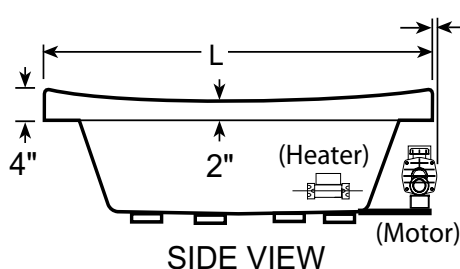
- Center Drain Location
- Accessories / Hardware:
 - HTC Jet Rings Kit: #D095
 - SCH 40, Rotary Drain Kit: #D434
- Trim Kit Finishes Available:
 - (827) – Chrome
 - (898) – Brushed Chrome
 - (815) – Satin Nickel
 - (829) – Bright Brass
 - (805) – Platinum
 - (826) – Brushed Nickel
 - (845) – Oil Rubbed Bronze



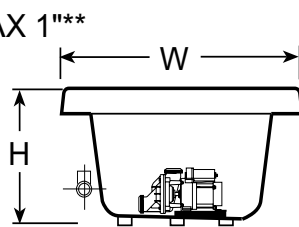
Product Shown: Allusion® 6636 Whirlpool Bath Right Hand (ED85) Shown.

** Measurements inside unit represent cutout in floor to allow for drain/overflow.*

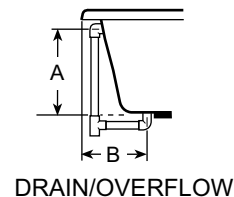
Minimum Service Access dimensions given.



SIDE VIEW



END VIEW



DRAIN/OVERFLOW

*** See Install manual for installations instructions.*

INSTALLATION NOTES

Refer to installation instructions included with fixture before beginning installation. Please confirm product availability and specifications before commencing with any installation work.

PRODUCT SPECIFICATIONS AND AVAILABILITY ARE SUBJECT TO CHANGE WITHOUT NOTICE.

Technical Specifications

DIMENSIONS

66" L x 36" W x 26" H
(1676 mm) L x (914 mm) W x (660 mm) H

DRAIN/OVERFLOW

A: 17-3/8" (441 mm) B: 11-15/16" (210 mm)

CUTOUT

Template provided Part Number BY20000

TOTAL WEIGHT

ED85: 926 lb (420 kg) / 56.1 lb/sq. ft. (273 kg/m²)
BA07: 881 lb (400 kg) / 53.4 lb/sq. ft. (254 kg/m²)

OPERATING GALLONAGE

65 U.S. Gal. (246 Liters)
Min. 55 U.S. Gal. (208 Liters)
Max. 75 U.S. Gal. (284 Liters)

PRODUCT WEIGHT

ED85: 135 lb (61 kg)
BA07: 90 lb (41 kg)

SKIRT MOUNTING

Not Available

ELECTRICAL SPECIFICATIONS — Model ED85 only

Requires a dedicated GFCI protected separate circuit.
Motor/Pump: 120 VAC, 20 AMP, 60 Hz.

RapidHeat™: 115 VAC, 15 AMP, 60 Hz.

HEATER (STANDARD) — Model ED85 only

Requires a dedicated GFCI protected separate circuit.

RapidHeat™: P/N S750000