



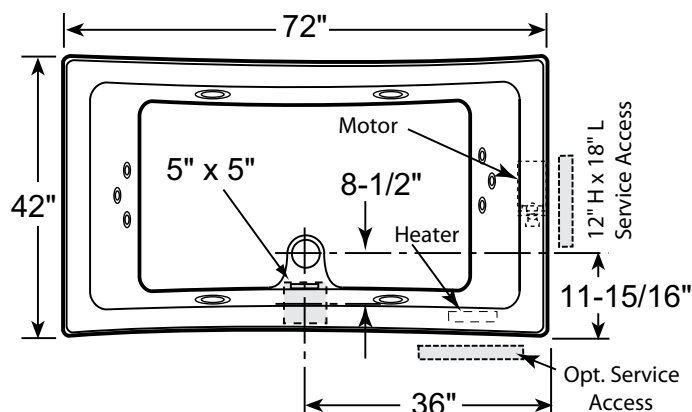
Allusion® 7242 WHIRLPOOL BATH

ED75 Allusion® 7242 Whirlpool Bath Right Hand

Allusion® 7242 SOAKER BATH

BA05 Allusion® 7242 Bath

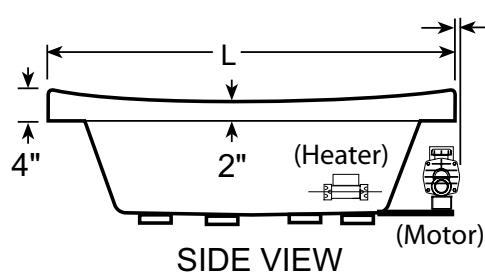
- Center Drain Location
- Accessories / Hardware:
 - HTC Jet Rings Kit: #D095
 - SCH 40 Rotary Drain Kit: #DA34
- Trim Kit Finishes Available:
 - (827) – Chrome
 - (898) – Brushed Chrome
 - (815) – Satin Nickel
 - (829) – Bright Brass
 - (805) – Platinum
 - (826) – Brushed Nickel
 - (845) – Oil Rubbed Bronze



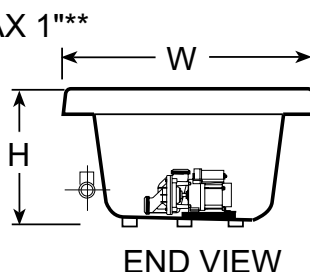
Product Shown: Allusion® 7242 Whirlpool Bath Right Hand (ED75) Shown.

* Measurements inside unit represent cutout in floor to allow for drain/overflow.

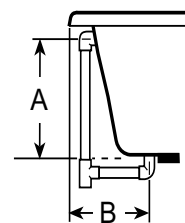
Minimum Service Access dimensions given.



SIDE VIEW



END VIEW



DRAIN/OVERFLOW

ALLUSION

** See Install manual for installations instructions.

INSTALLATION NOTES

Refer to installation instructions included with fixture before beginning installation. Please confirm product availability and specifications before commencing with any installation work.

PRODUCT SPECIFICATIONS AND AVAILABILITY ARE SUBJECT TO CHANGE WITHOUT NOTICE.

Technical Specifications

DIMENSIONS

72" L x 42" W x 26" H
(1829 mm) L x (1067 mm) W x (660 mm) H

DRAIN/OVERFLOW

A: 17-3/8" (441 mm) B: 11-15/16" (210 mm)

CUTOUT

Template provided Part Number BY20000

TOTAL WEIGHT

ED75: 1252 lb (511 kg) / 60 lb/sq. ft. (293 kg/m²)
BA05: 1183 lb (501 kg) / 56 lb/sq. ft. (273 kg/m²)

OPERATING GALLONAGE

87 U.S. Gal. (329 Liters)
Min. 75 U.S. Gal. (284 Liters)
Max. 99 U.S. Gal. (375 liters)

PRODUCT WEIGHT

ED75: 169 lb (77 kg)
BA05: 100 lb (45 kg)

SKIRT MOUNTING

Not Available

ELECTRICAL SPECIFICATIONS — Model ED75 only Requires a dedicated GFCI protected separate circuit.

Motor/Pump: 120 VAC, 20 AMP, 60 Hz.
RapidHeat™: 115 VAC, 15 AMP, 60 Hz.

HEATER (STANDARD) — Model ED75 only Requires a dedicated GFCI protected separate circuit.

RapidHeat™: P/N S750000