

PROFESSIONAL MAPLE TOP CHEF TABLE AND POT RACK

Features:

- Type 304 Stainless Steel
- Double bar, center mounted pot rack
- Adjustable utensil rack
- 18 double sided hooks
- 2 - 74" high x 1-5/8" tubular stainless steel posts
- 1-3/4" thick, hand-oiled maple wood top
- Stainless steel fixed undershelf
- 1-5/8" stainless steel tubular legs with adjustable bullet feet



Stainless Steel Double Sided Hooks Included



Adjustable Utensil Rack
Accomodate Your Desired Height



1-3/4" Thick, Hand-Oiled Maple Wood Top
To Handle All of Your Cutting and
Food Preparing Needs



24" WIDE UNITS

Model	Approx. Wt.	Table Length L x W
H2S-SCT-244MRE	165 lbs.	48"x24"
H2S-SCT-245MRE	205 lbs.	60"x24"
H2S-SCT-246MRE	255 lbs.	72"x24"

30" WIDE UNITS

Model	Approx. Wt.	Table Length L x W
H2S-SCT-304MRE	210 lbs.	48"x30"
H2S-SCT-305MRE	260 lbs.	60"x30"
H2S-SCT-306MRE	295 lbs.	72"x30"

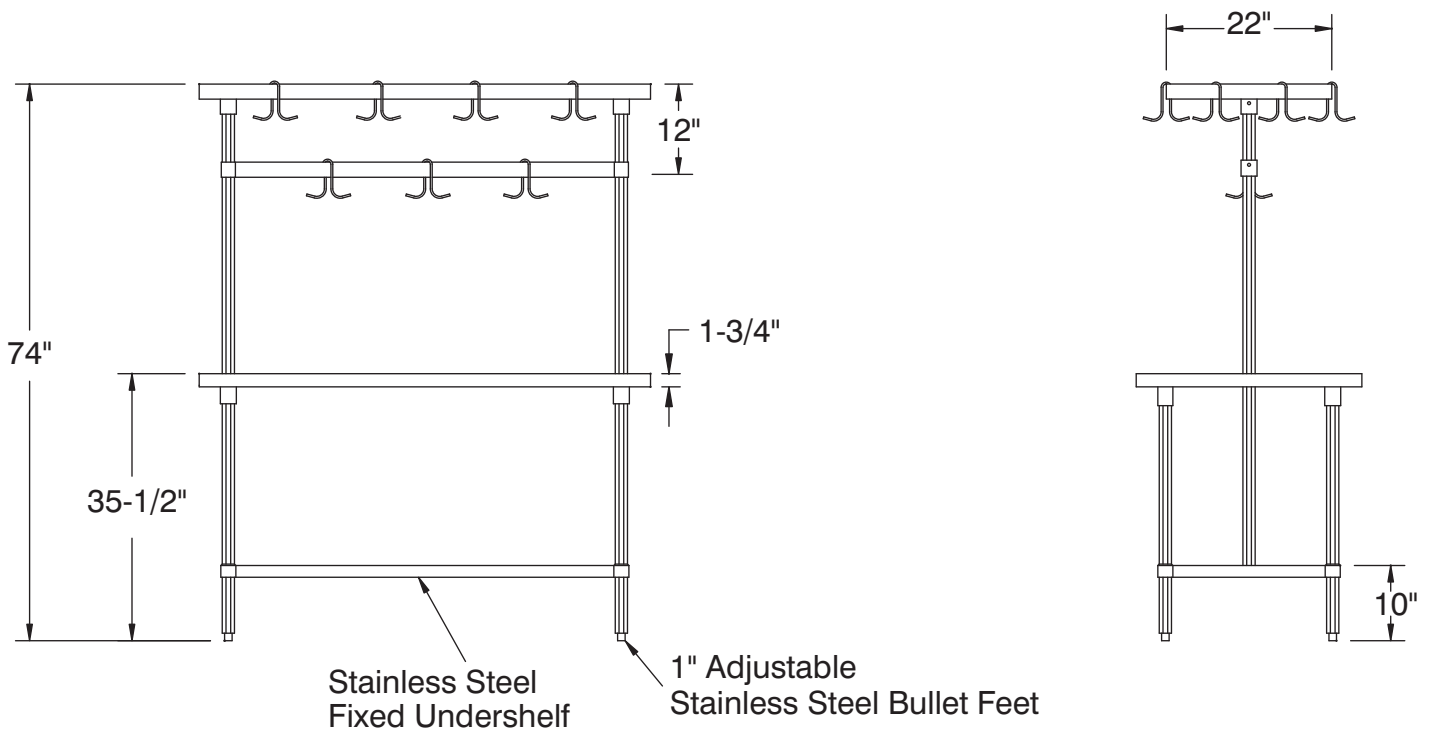
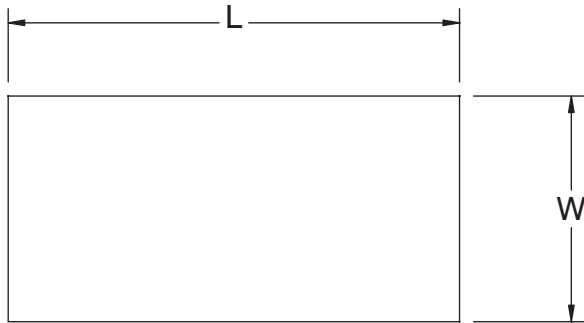
*Table mounted pot racks can be mounted on stainless steel tables

Professional Stainless Steel Products For Your Home

Toll Free Phone: 866-799-0106 • Toll Free Fax: 866-799-0249

www.alinebyadvancetabco.com

PROFESSIONAL MAPLE TOP CHEF TABLE AND POT RACK



Professional Stainless Steel Products For Your Home

Toll Free Phone: 866-799-0106 • Toll Free Fax: 866-799-0249

www.alinebyadvancetabco.com