

## PROFESSIONAL STAINLESS STEEL CHEF ISLANDS

Features:

- 14 Gauge, Type 304 Stainless Steel top
- Bull nose edge on all four sides
- Hinged doors\*
- Fixed stainless steel midshelf
- Stainless steel legs & adjustable bullet feet
- Custom Sizes Available

\*4 Ft. & 5 Ft. Models Come with Two Hinged Doors  
6 Ft. Models Come with Four Hinged Doors  
8 Ft. Models Come with Four Hinged Doors & 3 Sets of Legs



### 24" WIDE CHEF ISLANDS

Model	Approx. Wt.	Table Length L x W
HB-SS-244MRE	270 lbs.	48"x24"
HB-SS-245MRE	310 lbs.	60"x24"
HB-SS-246MRE	355 lbs.	72"x24"
HB-SS-248MRE	445 lbs.	96"x24"

### 30" WIDE CHEF ISLANDS

Model	Approx. Wt.	Table Length L x W
HB-SS-304MRE	290 lbs.	48"x30"
HB-SS-305MRE	335 lbs.	60"x30"
HB-SS-306MRE	375 lbs.	72"x30"
HB-SS-308MRE	460 lbs.	96"x30"

### 36" WIDE CHEF ISLANDS

Model	Approx. Wt.	Table Length L x W
HB-SS-364MRE	295 lbs.	48"x36"
HB-SS-365MRE	370 lbs.	60"x36"
HB-SS-366MRE	415 lbs.	72"x36"
HB-SS-368MRE	500 lbs.	96"x36"

### OPTIONAL PASS-THRU DOORS

This option will add a set of additional doors, allowing access from both sides of the island

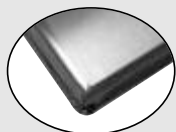
Model	# of Doors	Chef Island Length
PTD-4RE	2	For 48" Long Chef Islands
PTD-5RE	2	For 60" Long Chef Islands
PTD-6RE	4	For 72" Long Chef Islands
PTD-8RE	4	For 96" Long Chef Islands



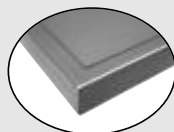
Rear View of Unit Shown

### CHEF ISLAND COUNTERTOP EDGE OPTIONS

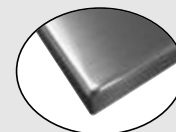
The most popular countertop edge designs to complement your decor



**Bull Nose Edge**  
Rounded on all four sides and rounded corners. Standard as shown in photo.



**"No-Drip" Edge**  
Raised edge to catch liquids. Model TA-12RE



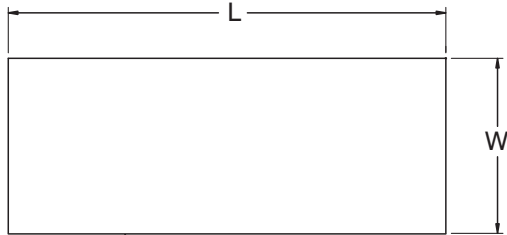
**Square Edge**  
Edges are square on all four sides. Model TA-22RE

Professional Stainless Steel Products For Your Home

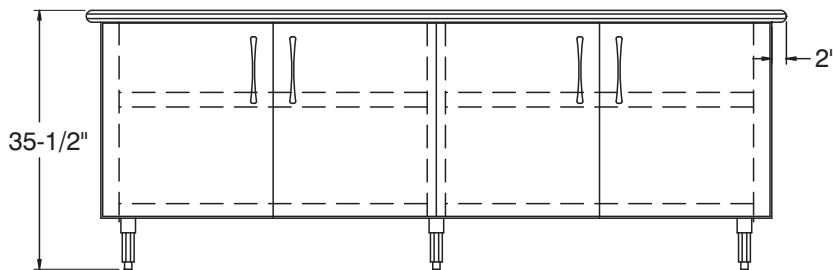
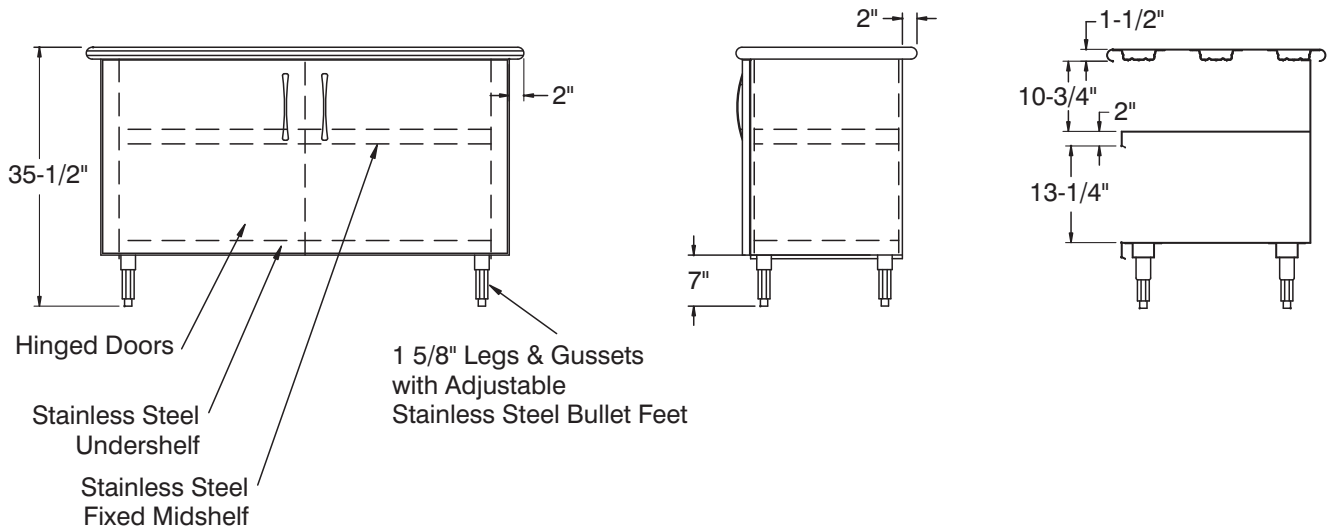
Toll Free Phone: 866-799-0106 • Toll Free Fax: 866-799-0249

www.alinebyadvancetabco.com

## PROFESSIONAL STAINLESS STEEL CHEF ISLANDS



Bullnosed Edge  
On All Sides (Standard)



8 Ft. Unit Shown

8 Ft. Models Provided  
with Four Hinged Doors  
& 3 Sets of Legs

Toll Free Phone: 866-799-0106 • Toll Free Fax: 866-799-0249

[www.alinebyadvancetabco.com](http://www.alinebyadvancetabco.com)