

4" Round Flush Canopy

600FJ4RF

1.3



SINGLE PORT CANOPIES

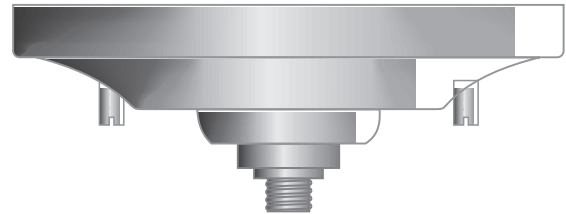
GENERAL PRODUCT INFORMATION:



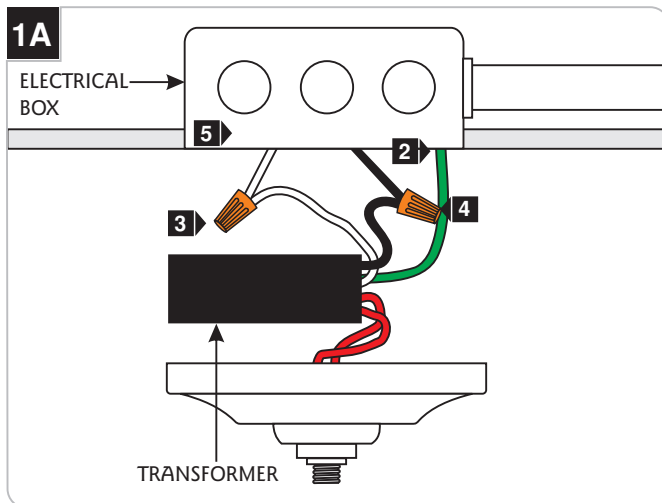
This product is ETL listed and suitable only for indoor dry locations and approved for use at any height above the finished floor.

This product can be dimmed with a standard incandescent dimmer.

Minimum volume of the electrical box must be 6 cubic inches (98 cubic centimeter).

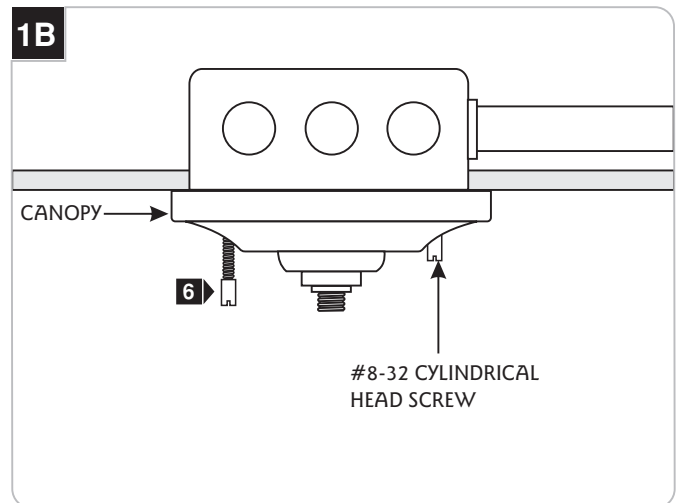


Install the Round Flush Canopy



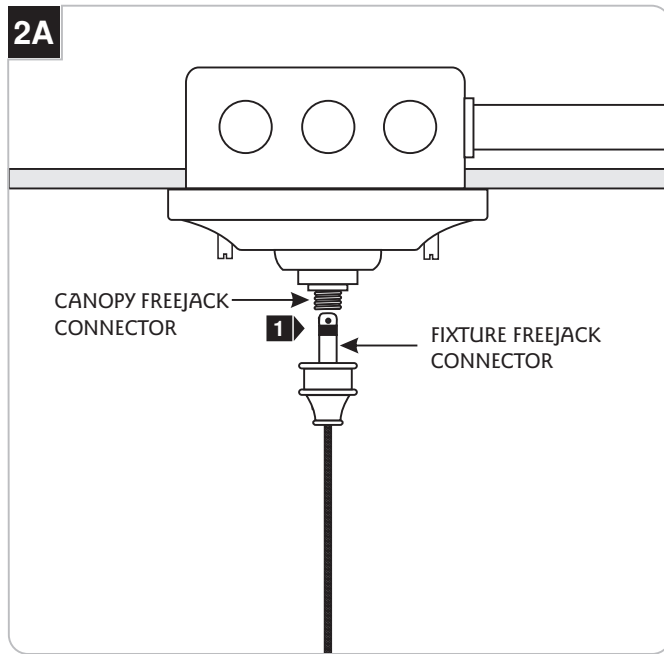
NOTE: Use the provided universal round crossbar when the canopy holes do not line up with the electrical box holes.

- 1 Turn the power to the electrical box off.
- 2 In accordance with local electrical codes, ground the transformer green wire.
- 3 Connect the 120 volt white transformer wire to the neutral power line wire with a wire nut.
- 4 Connect the 120 volt black transformer wire to the hot power line wire with a wire nut.
- 5 Place the transformer and all the wire nut connections inside the electrical box. Use the adhesive pad to secure the transformer in the electrical box.



- 6 Mount the round flush canopy to the electrical box with provided two #8-32 cylindrical head screws.

Connect the FreeJack Fixture to Canopy



- 1 Screw the fixture FreeJack connector completely to canopy FreeJack connector.

SAVE THESE INSTRUCTIONS!

W I L M E T T E  L I G H T I N G
C O M P A N Y

7400 Linder Ave, Skokie, IL 60077
847.410.4400

www.wilmettelighting.com

© 2008 Wilmette Lighting Company. All rights reserved. The "Wilmette Lighting Company" graphic is a registered trademark of Wilmette Lighting Company. Wilmette Lighting Company reserves the right to change specifications for product improvements without notification.

A Generation Brands Company