

# T~trak™

HEADS-LINE VOLTAGE

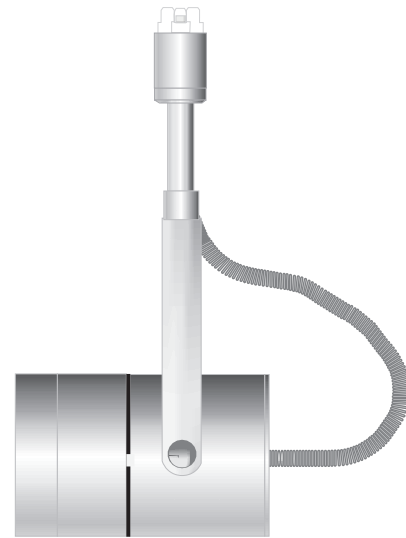
## GENERAL PRODUCT INFORMATION:



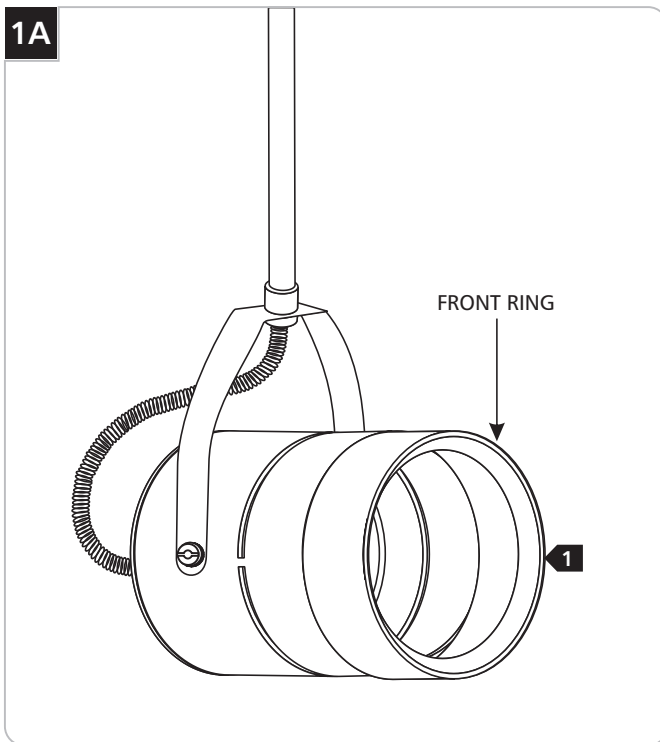
This product is suitable for indoor dry locations only.

This product is intended for use only with Tech Lighting Power Jack & T~trak™ systems.

This product is patented (U.S. PAT. 7,172,332).

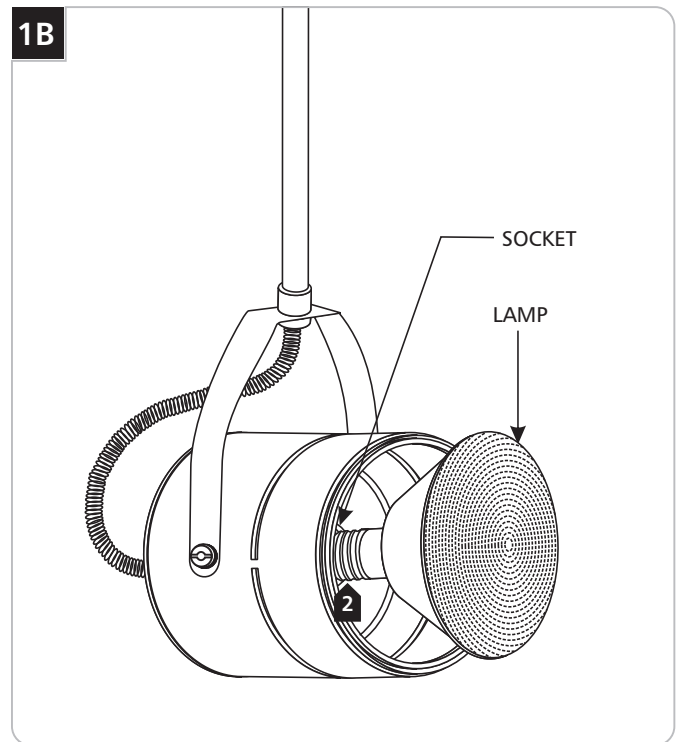


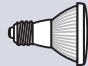
## Installing the CMH PAR20 Lamp



**NOTE:** Turn the power to the system off before installing, removing, or relamping the fixture.

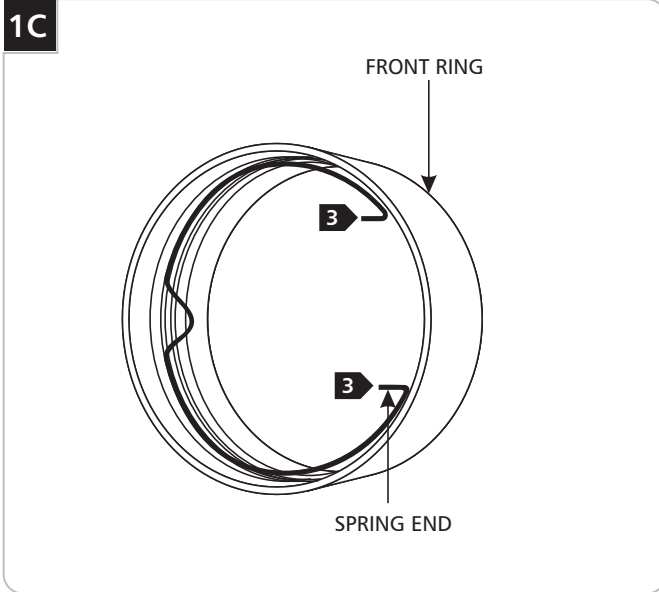
**1** Remove the front ring from the body by unscrewing it counterclockwise.



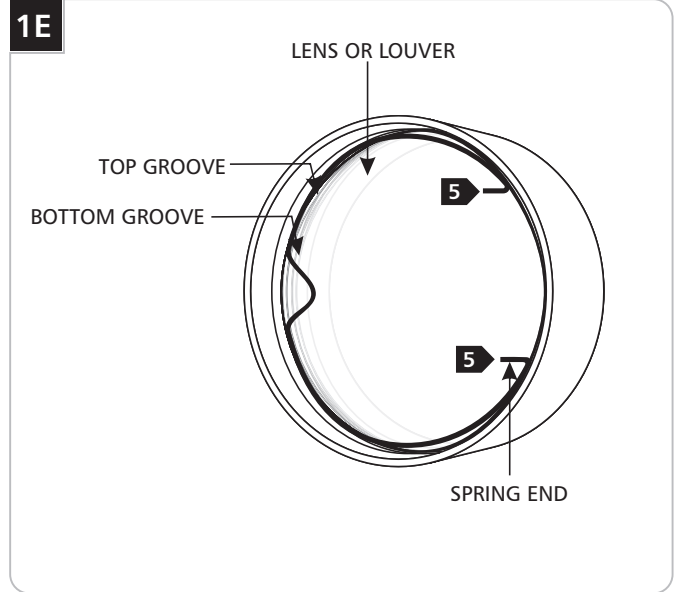
Use 120 Volt, 39 Watt Ceramic Metal Halide PAR20 Lamp. 

**2** Screw the lamp into the socket.

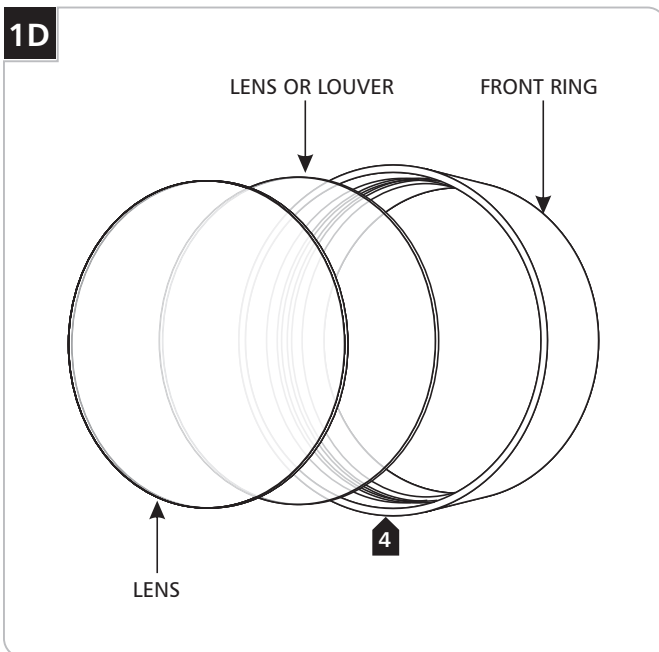
**NOTE:** Steps 3 to 5 required only if a lens (optional) or louver (optional) is being used with the fixture.



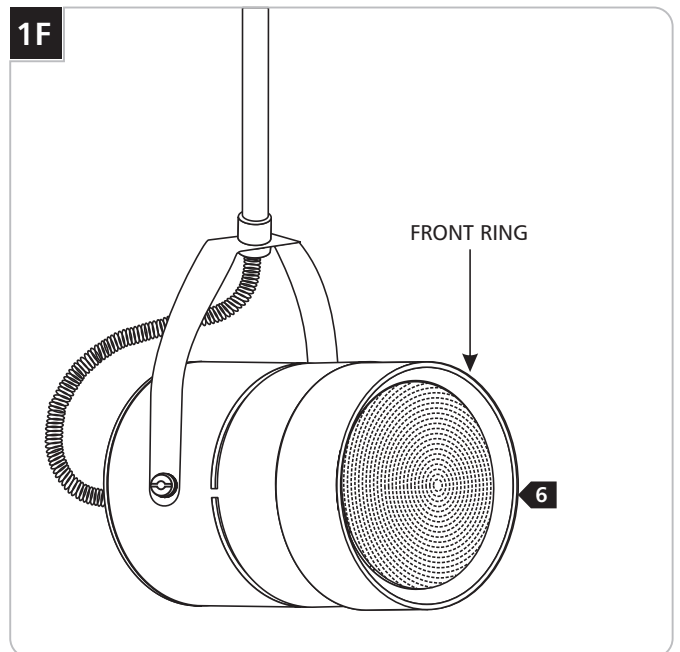
**3** Squeeze the spring ends and remove it from the front ring.



**5** Squeeze the spring ends and place on top of the lenses (louver) and into the top groove of the front ring. Use the bottom groove if a single lens or louver is used.

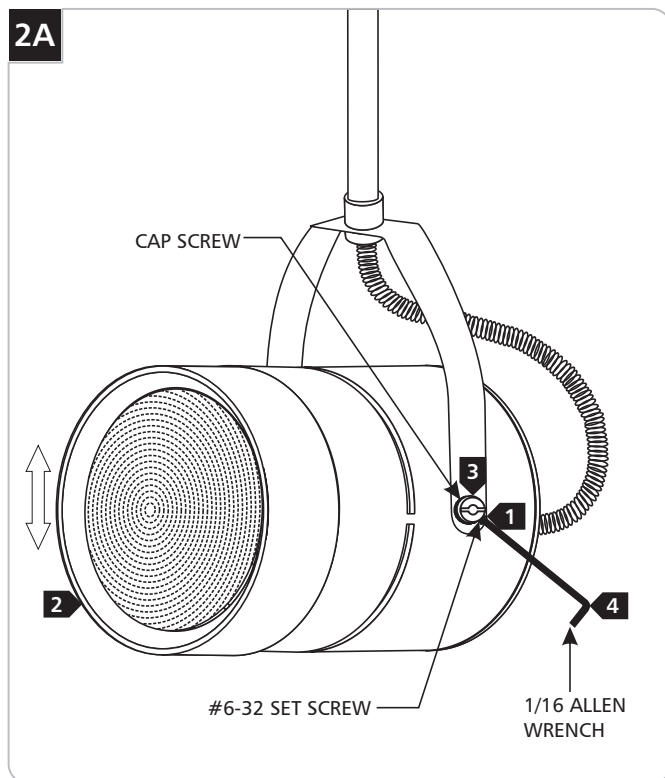


**4** Place one or at most two lenses and/or louver into the front ring.



**6** Replace the front ring.

## SPECIAL INSTALLATION: Locking the Fixture in Permanent Position (Optional)



- 1** To lock the fixture head in a permanent vertical position, loosen (DO NOT REMOVE) the #6-32 set screw on the edge of the cap screw with the provided 1/16 Allen wrench.
- 2** Rotate the fixture head to the desired position.
- 3** Tighten the cap screw with a flat head screwdriver.
- 4** Tighten the #6-32 set screw with the 1/16 Allen wrench.

## IMPORTANT SAFETY INSTRUCTIONS

*To reduce the risk of fire, electrical shock, exposure to excessive UV radiation, or injury to person:*

- Use this fixture indoors only.
- Do not look directly at the lighted lamp.
- Do not remain in light if skin feels warm.
- Risk of fire: Use only the type of lamp and maximum wattage indicated in this instruction manual.
- Never cover the Ceramic Metal Halide lamp with anything other than a Tech Lighting lens and never place flammable material close to your fixture.
- Never turn the fixture on and off by connecting and disconnecting the CMH lamp.
- Do not touch the fixture shades or lamp shield while the fixture is on. These surfaces may be HOT.
- Relamp fixtures at or before the end of rated life. Beyond rated life, light output diminishes while energy consumption and risk of rupture increases.

## CMH Lamp General Information

- A new CMH lamp is a discharge lamp and requires some time to start and come to full brightness after a power interruption.

## A Tip For Prolonging CMH Lamp Life

- Do not operate the lamps continuously for extended periods, turn the lamp off once per week for at least 15 minutes. This will reduce the risk of rupture.

**SAVE THESE INSTRUCTIONS!**

**T~trak™**

a brand of **TECH LIGHTING®**

7400 Linder Ave, Skokie, IL 60077

847.410.4400

[www.ttraklighting.com](http://www.ttraklighting.com)

© 2008 Tech Lighting, L.L.C. All rights reserved. The "T~trak"™ graphic is a registered trademark of T~trak™. T~trak™ reserves the right to change specifications for product improvements without notification.

A Generation Brands Company