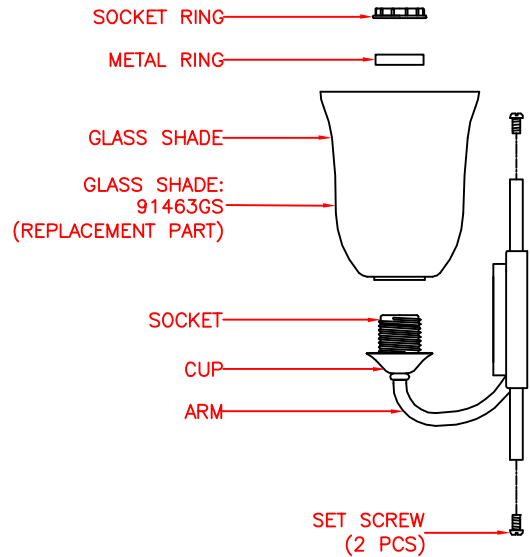


FRONT VIEW



SIDE VIEW

AVAILABLE PART IS:
91463GS (GLASS SHADE)

PRODUCT SPECIFICATIONS

OVERALL ASSEMBLED DIMENSIONS

HEIGHT: 27.9 CM (11"), WIDTH: 78.2 CM (30-3/4"), EXTENSION: 20.3 CM (8").

- 3 LIGHTS:** UL LISTED. 60 WATT, MEDIUM BASE E-26 CERAMIC SOCKET. (3) SOCKET RINGS AND (3) METAL RINGS ARE PROVIDED.
- METAL FRAME:** PAINTED METAL WITH ANTIQUE MIRROR, 78.2 CM (30-3/4") LENGTH x 26.5 CM (10-1/2") WIDTH x 3.3 CM (1-1/4") HEIGHT.
- CUP:** PAINTED METAL, 6.2 CM (2-7/16") DIA. x 2 CM (3/4") HEIGHT. SHAPED AS SHOWN.
- ARM:** PAINTED METAL, 1.3 CM (1/2") SQ. TUBING, 12.5 CM (4-7/8") WIDTH x 6.7 CM (2-5/8") HEIGHT. SHAPED AS SHOWN.
- GLASS SHADE:** FROSTED GLASS SHADE, 15 CM (5-7/8") DIA. x 17.8 CM (7") HEIGHT, SHAPED AS SHOWN. GLASS SHADE SHOULD FIT SNUG AND STRAIGHT WHEN ATTACHED.
- SUPPLY WIRE:** UL LISTED. 18 AWG, 105°C, MUST EXTEND A MINIMUM OF 15.2 (6") PAST CENTER OF BACKPLATE. WIRES MUST BE LEAD FREE.
- LABELS:** UL AND CSA OR CUL, MANUFACTURE DATE, MODEL # AND COUNTRY OF ORIGIN LABELS PROVIDED ON BACKPLATE. RELAMPING LABEL FOR 60 WATT TYPE "A" BULB PROVIDED NEAR SOCKET. RELAMPING LABELS ARE NOT TO BE PLACE ON THE OUTSIDE OF THE PRODUCT OR ON THE GLASS.

PACKAGING AND SHIPPING

- THE ITEM IS DISASSEMBLED FOR SHIPPING AS SHOWN. EACH PART IS SECURED SO THEY CAN NOT MOVE DURING SHIPPING. A SMALL BAG OF SILICA IS INCLUDED.
- MOUNTING PLATE, (2) 8-32 x 1-1/4" MOUNING SCREWS, (2) SET SCREWS AND (3) WIRE CONNECTORS ARE PROVIDED. ENTIRE FIXTURE IS COVERED IN A CLOSED PLASTIC BAG WITH A SMALL BAG OF SILICA INSIDE.
- THE CARTON IS MADE OF DOUBLE WALL, CORRUGATED CARDBOARD "A MA A". BROWN IN COLOR. THE INNER PACKING IS DIE-CUT CARDBOARD OR STYROFOAM TO PROTECT AND SECURE THE LAMP AND MUST PASS THE SPECIFIED DROP TEST REQUIREMENTS.
- EACH CARTON SHALL BE PRINTED WITH A LINE DRAWING AND THE KENROY HOME NAME AND LOGO, MODEL NUMBER, SKU NUMBER AND FINISH, EACH CARTON SHALL BE PROVIDED A UPC LABEL. THE UPC BAR CODE AS FOLLOWS: DS=053392086107.

OTHER DETAILS:

- ENTIRE BACKPLATE ASSEMBLY MUST SIT FLUSH AGAINST WALL SURFACE.
- ALL VISIBLE PARTS MUST MATCH FIXTURE FINISH UNLESS OTHERWISE SPECIFIED.
- MODEL 91463 INSTRUCTIONS ARE TO BE PRINTED CLEARLY ON QUALITY PAPER AND PACKED WITH EACH FIXTURE.
- ALL BAGS MUST BE LABELED WITH OFFICIAL "THIS BAG IS NOT A TOY" STATEMENT.
- ASSEMBLY TIME: 10 MINUTES. THE UL NUMBER IS 230133.
- DIMS OF BOX: 91 CM (35-13/16") LENGTH X 32 CM (12-5/8") WIDTH X 24.5 CM (9-5/8") HEIGHT.
- NET WEIGHT: 9.9 LBS. GROSS WEIGHT: 15.5 LBS.
- THE UL NUMBER IS E230133.

KENROY HOME 11660 CENTRAL PARKWAY JACKSONVILLE, FL. 32224 PHONE: 904-642-4340 FAX: 904-642-4150	THIS DOCUMENT AND THE INFORMATION THAT IT DISCLOSES IS THE EXCLUSIVE PROPERTY OF KENROY HOME. ANY REPRODUCTION OR USE OF THIS DRAWING IN PART OR IN WHOLE, WITHOUT THE EXPRESS CONSENT OF THE PROPRIETOR IS PROHIBITED. © 2008 KENROY HOME.			REVISION DATE: 4/18/08 ADD PARTS NO.	MODEL #:
	DATE: 3/8/2008	SCALE: NONE	DRAWN BY: JAMES	REVISION DATE:	91463
	REFERENCE: LATTICE 3LT. VANITY			REVISION DATE:	FINISH: DS
				APPROVAL:	PAGE: 1 OF: 1