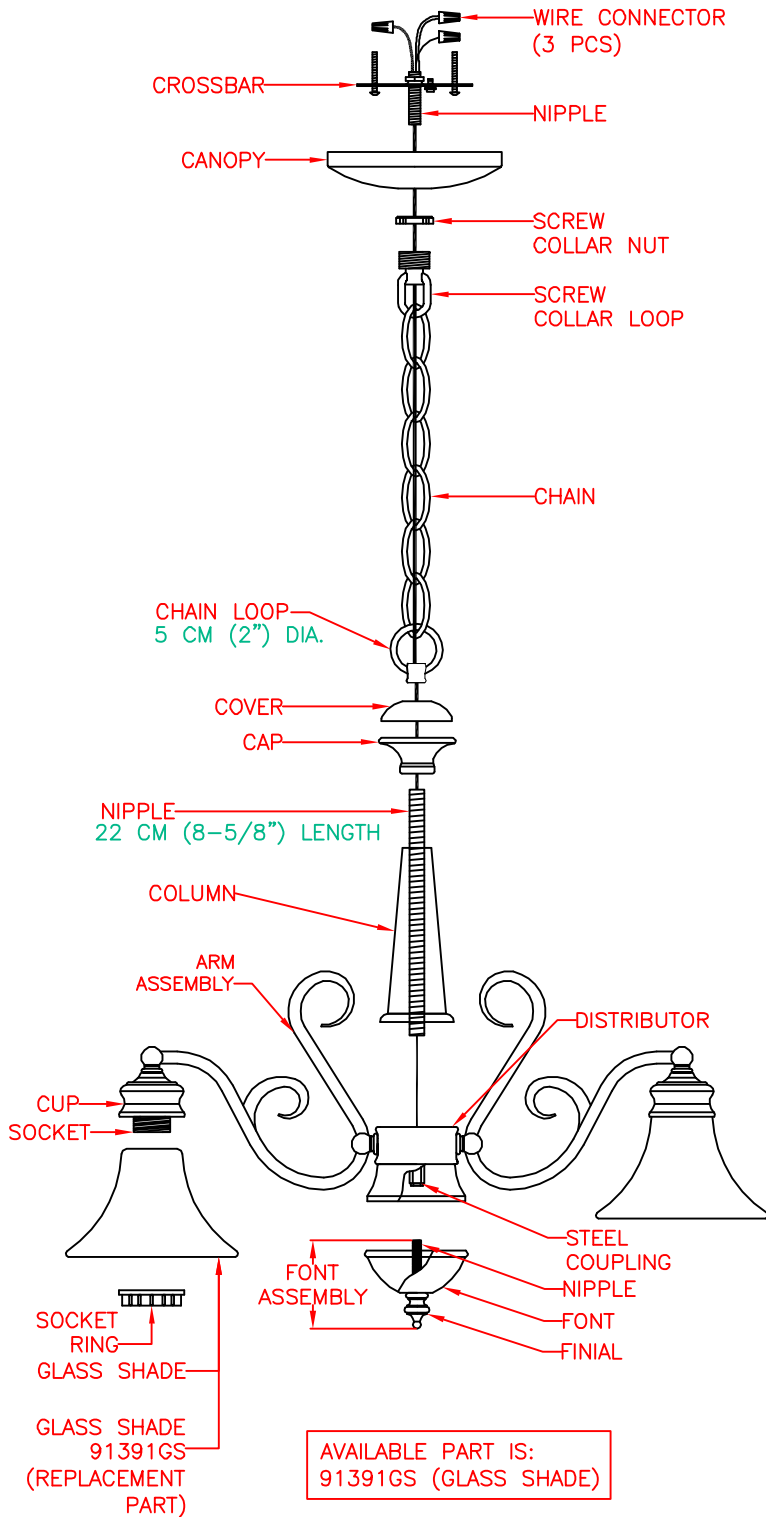


PRODUCT SPECIFICATIONS



- OVERALL ASSEMBLED DIMENSIONS**
HEIGHT: 43.8 CM (17 1/4") DIA: 68.6 CM (27").
- 5 LIGHTS:** UL LISTED. 100 WATT. MEDIUM BASE E-26 CERAMIC SOCKETS WITH OUTSIDE THREADS. METAL SOCKET RINGS PROVIDED.
- SUPPLY WIRE:** MIN. 305 CM (10 FT.) LENGTH, 18 AWG., 2 CONDUCTORS, 105°C, BLACK COLOR FOR BBZ FINISH, SILVER/CLEAR COLOR FOR BS FINISH. WIRE MUST BE LEAD FREE.
- CHAIN:** PLATED STEEL, 3.8 MM THICK, 183 CM (6 FT.) MIN. LENGTH.
- COVER:** PLATED STEEL, 6.9 CM (2-3/4") DIA. x 2.4 CM (1") HEIGHT. SHAPED AS SHOWN.
- CAP:** PAINTED STEEL, 7.6 CM (3") DIA. x 3.5 CM (1-3/8") HEIGHT. SHAPED AS SHOWN.
- COLUMN:** PLATED STEEL, 7.2 CM (2-3/4") DIA. x 16.5 CM (6-1/2") HEIGHT. SHAPED AS SHOWN.
- DISTRIBUTOR:** PLATED STEEL, 7.6 CM (3") DIA. x 3.4 CM (1-3/8") HEIGHT. SHAPED AS SHOWN.
- ARM ASSEMBLY:** PLATED STEEL, 21.9 CM (8-5/8") WIDTH x 21.5 CM (8-1/2") HEIGHT, SHAPED AS SHOWN.
- CUP:** PLATED STEEL, 6.5 CM (2-1/2") DIA. x 4.6 CM (1-3/4") HEIGHT. SHAPED AS SHOWN.
- FONT:** PLATED STEEL, 10.2 CM (4") DIA. x 4.2 CM (1-5/8") HEIGHT. SHAPED AS SHOWN.
- GLASS SHADE:** WHITE ALABASTER GLASS, 16.5 CM (6-1/2") DIA. x 10.6 CM (4-1/8") HEIGHT. SHAPED AS SHOWN.
- LABELS:** UL AND CSA OR CUL, MANUFACTURING DATE, MODEL # AND COUNTRY OF ORIGIN LABELS PROVIDED IN CANOPY. RELAMPING LABEL FOR 100 WATT MAX. TYPE "A" BULB PROVIDED NEAR SOCKET.

PACKAGING AND SHIPPING DETAILS

- THE FIXTURE IS DISASSEMBLED FOR SHIPPING. EACH PART IS WRAPPED IN A PLASTIC BAG WITH A SMALL BAG OF SILICA AND PACKED IN ITS OWN CARDBOARD CARTON.
- HARDWARE PACK #001 IS PROVIDED. ALL PARTS SHOULD BE SECURED SO THEY CAN NOT MOVE DURING SHIPPING.
- THE CARTON IS MADE OF A DOUBLE WALL CORRUGATED CARDBOARD "A MA A". BROWN IN COLOR. THE INNER PACKING IS DIE-CUT CARDBOARD OR STYROFOAM SUFFICIENT TO PROTECT AND SECURE THE FIXTURE AND MUST PASS THE SPECIFIED DROP TEST REQUIREMENTS.
- EACH CARTON SHALL BE PRINTED WITH A LINE DRAWING AND THE KENROY HOME NAME AND LOGO, MODEL NUMBER, SKU NUMBER AND FINISH, EACH CARTON SHALL BE PROVIDED A UPC LABEL. THE UPC BAR CODE AS FOLLOWS: BS=053392186203.

OTHER DETAILS

- A GROUND WIRE IS PROVIDED AND SECURED IN DISTRIBUTOR.
- ALL VISIBLE METAL PARTS MUST MATCH IN FINISH UNLESS OTHERWISE SPECIFIED.
- MODEL 91395 INSTALLATION INSTRUCTIONS ARE TO BE PACKED WITH FIXTURE, AND BE PRINTED CLEARLY ON QUALITY PAPER.
- ALL BAGS MUST BE LABELED WITH OFFICIAL "THIS BAG IS NOT A TOY" STATEMENT.
- ASSEMBLY TIME: 12 MINUTES.
- DIMS OF BOX: 59.6 CM (23-1/2") LENGTH x 57.2 CM (22-1/2") WIDTH x 26.6 CM (10-1/2") HEIGHT.
- NET WEIGHT: 14.2 LBS. GROSS WEIGHT: 20.4 LBS.
- THE UL NUMBER IS E186084.

**KENROY
HOME**

11660 CENTRAL PARKWAY
JACKSONVILLE, FL. 32224
PHONE: 904-642-4340
FAX: 904-642-4150

THIS DOCUMENT AND THE INFORMATION THAT IT DISCLOSES IS THE EXCLUSIVE PROPERTY OF KENROY HOME. ANY REPRODUCTION OR USE OF THIS DRAWING IN PART OR IN WHOLE, WITHOUT THE EXPRESS CONSENT OF THE PROPRIETOR IS PROHIBITED. © 2000 KENROY HOME.

DATE: 5/23/03

SCALE: NONE

DRAWN BY: JAMES

REFERENCE: WYNWOOD 5LT. CHANDELIER

REVISION DATE:
change total dia 12/29/05

REVISION DATE:
remove E-2 canopy 2/7/06

REVISION DATE:
4/9/08 ADD PARTS NO.

REVISION DATE:
1/10/09 change wattage

MODEL #:

91395

FINISH: BS

PAGE: 1 OF: 1