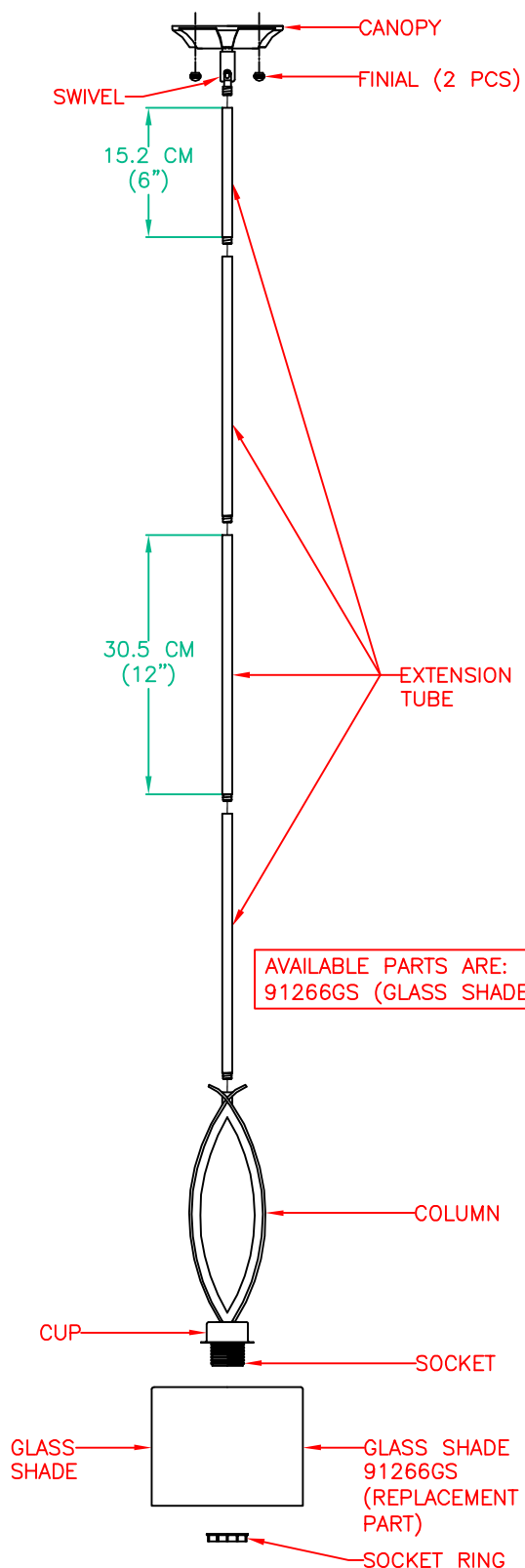


PRODUCT SPECIFICATIONS

- OVERALL ASSEMBLED DIMENSIONS**
HEIGHT: 17.5 CM (62") MAX., 66 CM (26") MIN.,
WIDTH: 17.8 CM (7"), EXTENSION: 14 CM (5-1/2").
- 1 LIGHT:** UL LISTED. 100 WATT. MEDIUM BASE E-26 CERAMIC SOCKET WITH OUTSIDE THREADS.
- CANOPY:** PAINTED METAL, 14 CM (5-1/2") DIA. x 3.2 CM (1-1/4") HEIGHT, (2) HOLES IN CANOPY FOR MOUNTING SCREWS TO PASS THROUGH. SHAPED AS SHOWN.
- SUPPLY WIRE:** UL LISTED. 18 AWG, 150°C, MUST EXTEND A MINIMUM OF 15.2 CM (6") PAST CENTER OF CANOPY. BLACK AND WHITE WIRE. WIRES MUST BE LEAD FREE.
- COLUMN:** PAINTED METAL, 28 CM (11") LENGTH x 9 CM (3-1/2") WIDTH x 4 CM (1-5/8") EXTENSION.
- CUP:** PAINTED METAL, 6.5 CM (2-1/2") DIA. x 2.4 CM (1") HEIGHT. SHAPED AS SHOWN.
- GLASS SHADE:** CREAM GLASS SHADE, ELLIPSE, 17.8 CM (7") LENGTH x 10 CM (4") WIDTH x 14.4 CM (5-5/8") HEIGHT. SHAPED AS SHOWN. GLASS SHADE SHOULD FIT SNUG AND STRAIGHT WHEN ATTACHED.
- EXTENSION TUBES:** PAINTED METAL, 1.2 CM (1/2") DIA. TUBING, (4) PIECES PROVIDED, (1) 15.2 CM (6") LENGTH, (3) 30.5 CM (12") LENGTH.
- LABELS:** CETL, MANUFACTURING DATE, MODEL # AND COUNTRY OF ORIGIN LABELS PROVIDED IN CANOPY. RELAMPING LABEL FOR 100 WATT MAX. TYPE "A" BULB PROVIDED ON CUP.
- PACKAGING AND SHIPPING DETAILS**
 - THE FIXTURE IS DISASSEMBLED FOR SHIPPING. EACH PIECE IS PACKED IN IT'S OWN CARDBOARD CARTON.
 - HARDWARE PACK #005 IS PROVIDED. ALL PARTS SHOULD BE SECURED SO THEY CAN NOT MOVE DURING SHIPPING.
 - THE CARTON IS MADE OF A DOUBLE WALL CORRUGATED CARDBOARD "A MA A". BROWN IN COLOR. THE INNER PACKING IS DIE-CUT CARDBOARD OR STYROFOAM SUFFICIENT TO PROTECT AND SECURE THE LANTERN AND MUST PASS THE SPECIFIED DROP TEST REQUIREMENTS.
 - EACH CARTON SHALL BE PRINTED WITH A LINE DRAWING AND THE KENROY HOME NAME AND LOGO, MODEL NUMBER, SKU NUMBER AND FINISH, EACH CARTON SHALL BE PROVIDED A UPC LABEL. THE UPC BAR CODE AS FOLLOWS: OBZ=053392071370.
- OTHER DETAILS**
 - ALL METAL PARTS MUST MATCH FINISH UNLESS OTHERWISE SPECIFIED.
 - MODEL 91267 INSTALLATION INSTRUCTIONS ARE TO BE PACKED WITH FIXTURE, AND BE PRINTED CLEARLY ON QUALITY PAPER.
 - ALL BAGS MUST BE LABELED WITH OFFICIAL "THIS BAG IS NOT A TOY" STATEMENT.
 - ASSEMBLY TIME: 10 MINUTES.
 - DIMS OF BOX: 41 CM (16-1/8") LENGTH x 24 CM (9-7/16") WIDTH x 20 CM (7-7/8") HEIGHT.
 - NET WEIGHT: LBS. GROSS WEIGHT: LBS.
 - THE CETL NUMBER IS 3170133.



**KENROY
HOME**

11660 CENTRAL PARKWAY
JACKSONVILLE, FL. 32224
PHONE: 904-642-4340
FAX: 904-642-4150

THIS DOCUMENT AND THE INFORMATION THAT IT DISCLOSES IS THE EXCLUSIVE PROPERTY OF KENROY HOME. ANY REPRODUCTION OR USE OF THIS DRAWING IN PART OR IN WHOLE, WITHOUT THE EXPRESS CONSENT OF THE PROPRIETOR IS PROHIBITED. © 2007 KENROY HOME.

DATE: 6/1/2007

SCALE: NONE

DRAWN BY: JAMES

REFERENCE:

PISCES 1LT. MINI PENDANT

REVISION DATE:
5/02/08 add parts NO.

REVISION DATE:
3/6/09 change UL to CETL

REVISION DATE:

REVISION DATE:

MODEL #:

91267

FINISHES:

OBZ

PAGE:

1 OF 1