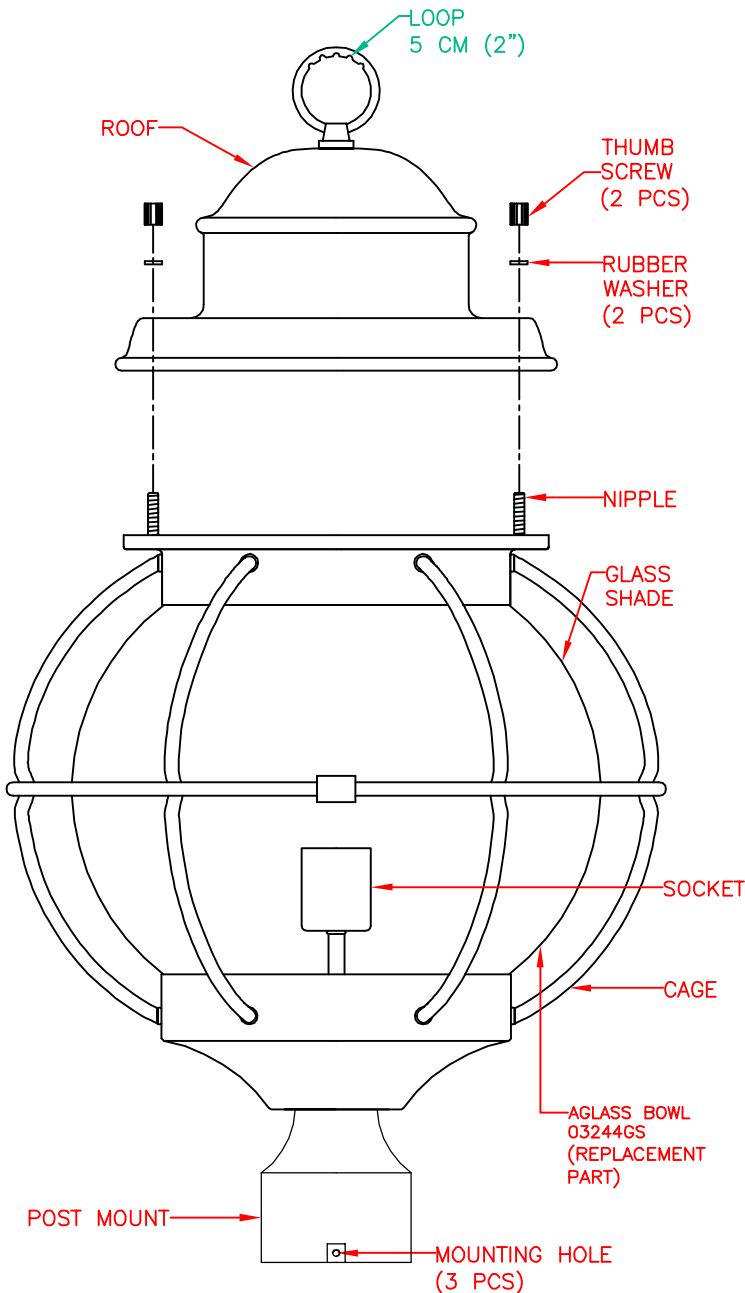


PRODUCT SPECIFICATIONS



AVAILABLE PART IS:
03244GS (GLASS BOWL)

- OVERALL ASSEMBLED DIMENSIONS**
HEIGHT: 60.6 CM (23-7/8"), DIA: 37.5 CM (14-3/4")
- 1 LIGHT:** UL LISTED FOR WET LOCATION, E-27 MEDIUM BASE CERAMIC SOCKET WITH METAL COVER.
- CORD:** UL LISTED, MIN. OF 15.2 CM (6") PAST CENTER OF POST MOUNT.
- ROOF:** PAINTED BRASS, 25.4 CM (10") DIA. MAX. x 12.8 CM (5") HEIGHT. SHAPED AS SHOWN.
- GLASS SHADE:** SEEDY GLASS, 30.5 CM (12") DIA. MAX. X 23.2 CM (9-1/8") HEIGHT.
- CAGE:** PAINTED BRASS, 38 CM (15") DIA. MAX. X 33 CM (13") HEIGHT, THE GLASS SHADE IS ASSEMBLED IN CAGE. SHAPED AS SHOWN.
- POST MOUNT:** PAINTED DIE CASTING ZINC, 8.2 CM (3 1/4") DIA. x 8.4 CM (3 1/4") TALL. SHAPED AS SHOWN.
- LABELS:** UL AND CSA OR CUL, MANUFACTURING DATE, MODEL # AND COUNTRY OF ORIGIN LABELS PROVIDED ON BACKPLATE. RELAMPING LABEL FOR 100 WATT MAX. TYPE "A" BULB PROVIDED ON SOCKET OR INSIDE SHADE.

PACKAGING AND SHIPPING DETAILS

- ALL PARTS ARE SECURED SO THEY CAN NOT MOVE DURING SHIPPING.
- EACH PART IS PACKED IN A CLOSED PLASTIC BAG WITH A SMALL BAG OF SILICA GEL INSIDE.
- THE CARTON IS MADE OF DOUBLE WALL CORRUGATED CARDBOARD "A MA A". BROWN IN COLOR. THE INNER PACKING IS DIE-CUT CARDBOARD OR STYROFOAM TO PROTECT AND SECURE THE FIXTURE AND MUST PASS THE SPECIFIED DROP TEST REQUIREMENTS.
- EACH CARTON SHALL BE PRINTED WITH A LINE DRAWING AND THE KENROY NAME AND LOGO, MODEL NUMBER, SKU NUMBER AND FINISH, EACH CARTON SHALL BE PROVIDED A UPC LABEL. THE UPC BAR CODE AS FOLLOWS: BL=053392000677, GC=053392000356.

OTHER DETAILS

- ALL VISIBLE METAL PARTS MUST BE MADE OF BRASS AND MATCH IN FINISH.
- MODEL 90967 INSTALLATION INSTRUCTIONS MUST BE PACKED WITH EACH FIXTURE AND BE PRINTED CLEARLY ON QUALITY PAPER.
- ALL BAGS MUST BE LABELED WITH OFFICIAL "THIS BAG IS NOT A TOY" STATEMENT.
- ASSEMBLY TIME: 5 MINUTES.
- NET WEIGHT: 7.37 LBS. GROSS WEIGHT: 14.5 LBS.
- DIMS OF BOX: 43.2 CM (17") LENGTH x 43.2 CM (17") WIDTH x 50.8 CM (20") HEIGHT.
- THE UL NUMBER IS E186084.

KENROY HOME 11660 CENTRAL PARKWAY JACKSONVILLE, FL. 32224 PHONE: 904-642-4340 FAX: 904-642-4150	THIS DOCUMENT AND THE INFORMATION THAT IT DISCLOSES IS THE EXCLUSIVE PROPERTY OF KENROY HOME. ANY REPRODUCTION OR USE OF THIS DRAWING IN PART OR IN WHOLE, WITHOUT THE EXPRESS CONSENT OF THE PROPRIETOR IS PROHIBITED. © 2006 KENROY HOME.			REVISION DATE: remove B/W label 06/01/06	MODEL #: 90967
	DATE: 1/9/06	SCALE: NONE	DRAWN BY: JAMES	REVISION DATE: 5/19/08 add parts NO.	FINISHES: BL, GC
	REFERENCE: HATTERAS POST LANTERN	APPROVAL:	REVISION DATE:	PAGE: 1 OF 1	