

PRODUCT SPECIFICATIONS

OVERALL ASSEMBLED DIMENSIONS

HEIGHT- 39.4 CM (15 1/2") DIA- 21.6 CM (8 1/2")
EXTENSION- 25.4 CM (10")

1 LIGHT: E-27 MEDIUM BASE CERAMIC SOCKET. LEADS ARE A MIN. OF 15.2 CM (6") PAST CENTER OF BACKPLATE.

ROOF: PAINTED BRASS, 13.3 CM (5 1/4") DIA. x 7 CM (2 3/4") TALL. SHAPED AS SHOWN.

BACKPLATE: PAINTED BRASS, 12.7 CM (5") DIA. x 2.5 CM (1") EXT. SHAPED AS SHOWN.

GLASS SHADE: SEEDY GLASS, 9.8 CM (3 7/8") DIA. AT TOP AND BOTTOM (TOP AND BOTTOM ARE OPEN) x 17.1 CM (6 3/4") DIA. AT MIDDLE x 14.6 CM (5 3/4") TALL. SHAPED AS SHOWN.

CAGE: PAINTED BRASS, 13 CM (5 1/8") TOP DIA. x 10.2 CM (4") BOTTOM DIA. MADE UP OF (6) RODS- PAINTED BRASS, 6.4 MM (1/4") DIA. RODS, 15.9 CM (6 1/4") TALL. SUPPORT RING- PAINTED BRASS, 6.4 CM (1/4") DIA. RODS, 21.9 CM (8 5/8") DIA. SHAPED AS SHOWN.

FONT: PAINTED BRASS, 10.8 CM (4 1/4") DIA. x 4.1 CM (1 5/8") TALL. SHAPED AS SHOWN.

LABELS: UL AND CSA OR CUL, MANUFACTURING DATE, MODEL # AND COUNTRY OF ORIGIN LABELS PROVIDED ON BACKPLATE. RELAMPING LABEL FOR 100 WATT MAX. TYPE "A" BULB PROVIDED ON SOCKET OR INSIDE SHADE.

PACKAGING AND SHIPPING DETAILS

THE LAMP IS SHIPPED ASSEMBLED AS SHOWN. ALL PARTS ARE SECURED SO THEY CAN NOT MOVE DURING SHIPPING.

HARDWARE PACK #002 PROVIDED. EACH PART IS PACKED IN A CLOSED PLASTIC BAG WITH A SMALL BAG OF SILICA GEL INSIDE.

THE CARTON IS MADE OF A DOUBLE WALL CORRUGATED CARDBOARD "A MA A". THE INNER PACKING IS DIE-CUT CARDBOARD OR STYROFOAM SUFFICIENT TO PROTECT AND SECURE THE FIXTURE AND MUST PASS THE SPECIFIED DROP TEST REQUIREMENTS. EXTERIOR SURFACE IS BROWN KRAFT.

EACH CARTON SHALL BE PRINTED WITH A LINE DRAWING AND THE KENROY HOME NAME AND LOGO, MODEL NUMBER, SKU NUMBER AND FINISH, EACH CARTON SHALL BE PROVIDED A UPC LABEL. THE UPC BAR CODE AS FOLLOWS: GC=053392152185, BL=0533925000578.

OTHER DETAILS

BACKPLATE MUST SIT FLUSH AGAINST WALL SURFACE.
MODEL 90962 INSTALLATION INSTRUCTIONS MUST BE PACKED WITH EACH LAMP AND BE PRINTED CLEARLY ON QUALITY PAPER.

ALL BAGS MUST BE LABELED WITH OFFICIAL "THIS BAG IS NOT A TOY" STATEMENT.

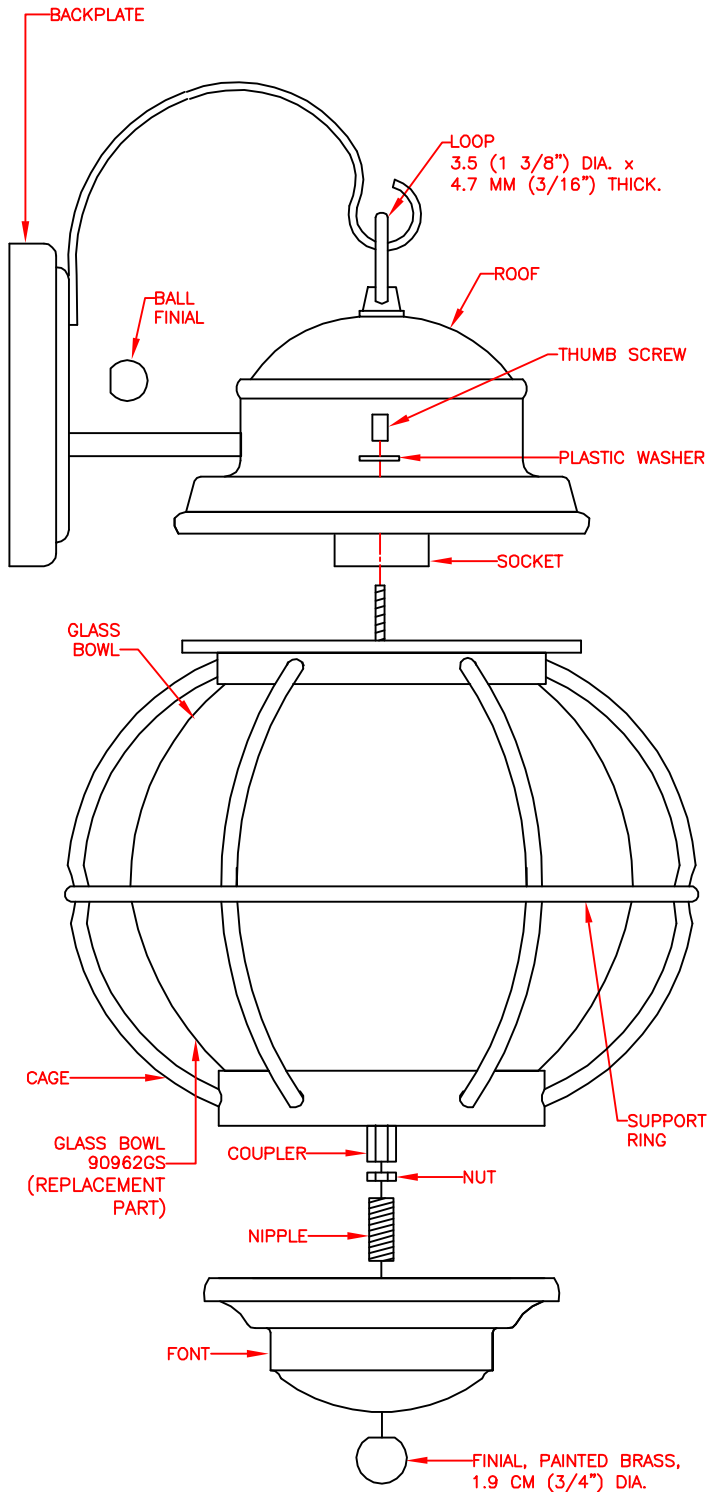
ALL VISIBLE PARTS MUST BE MADE OF BRASS AND MATCH IN FINISH.

DIMS OF BOX: 34.65 CM (15-3/4") LENGTH x 27 CM (10-3/4") WIDTH x 27 CM (10-3/4") HEIGHT.

NET WEIGHT: 4.07 LBS. GROSS WEIGHT: 6.16 LBS.

ASSEMBLY TIME: 15 MINUTES.

THE UL NUMBER IS E186084.



AVAILABLE PART IS:
90962GS (GLASS BOWL)

**KENROY
HOME**

11660 CENTRAL PARKWAY
JACKSONVILLE, FL. 32224
PHONE: 904-642-4340
FAX: 904-642-4150

THIS DOCUMENT AND THE INFORMATION THAT IT DISCLOSES IS THE EXCLUSIVE PROPERTY OF KENROY HOME. ANY REPRODUCTION OR USE OF THIS DRAWING IN PART OR IN WHOLE, WITHOUT THE EXPRESS CONSENT OF THE PROPRIETOR IS PROHIBITED. © 2000 KENROY HOME.

DATE: 8/30/01

SCALE: NONE

DRAWN BY: MJA

REFERENCE: HATTERAS WALL LANTERN (MED)

REVISION DATE: 11/1/05 add bl finish

REVISION DATE: revise size 06/01/06

REVISION DATE: 5/19/08 add parts NO.

REVISION DATE:

MODEL #:

90962

FINISHES: GC, BL

PAGE: 1 OF: 1

MODEL: 90962

ASSEMBLY INSTRUCTIONS

READ AND SAVE THESE INSTRUCTIONS

TOOLS

YOU WILL NEED THE FOLLOWING TOOLS OR EQUIPMENT:
SCREWDRIVER, ADJUSTABLE WRENCH, WIRE CUTTERS, PLIERS.

UNPACK THE FIXTURE

TO PROTECT THE FINISH, PLACE ALL PARTS ON A SOFT SURFACE. YOU SHOULD HAVE RECEIVED THE FOLLOWING: FIXTURE ASSEMBLY, (2) THUMB SCREWS, (2) PLASTIC WASHERS, CAGE, SUPPORT RING, GLASS BOWL, NUT, NIPPLE, FONT, BALL FINIAL.

MOUNTING HARDWARE PACKAGE:

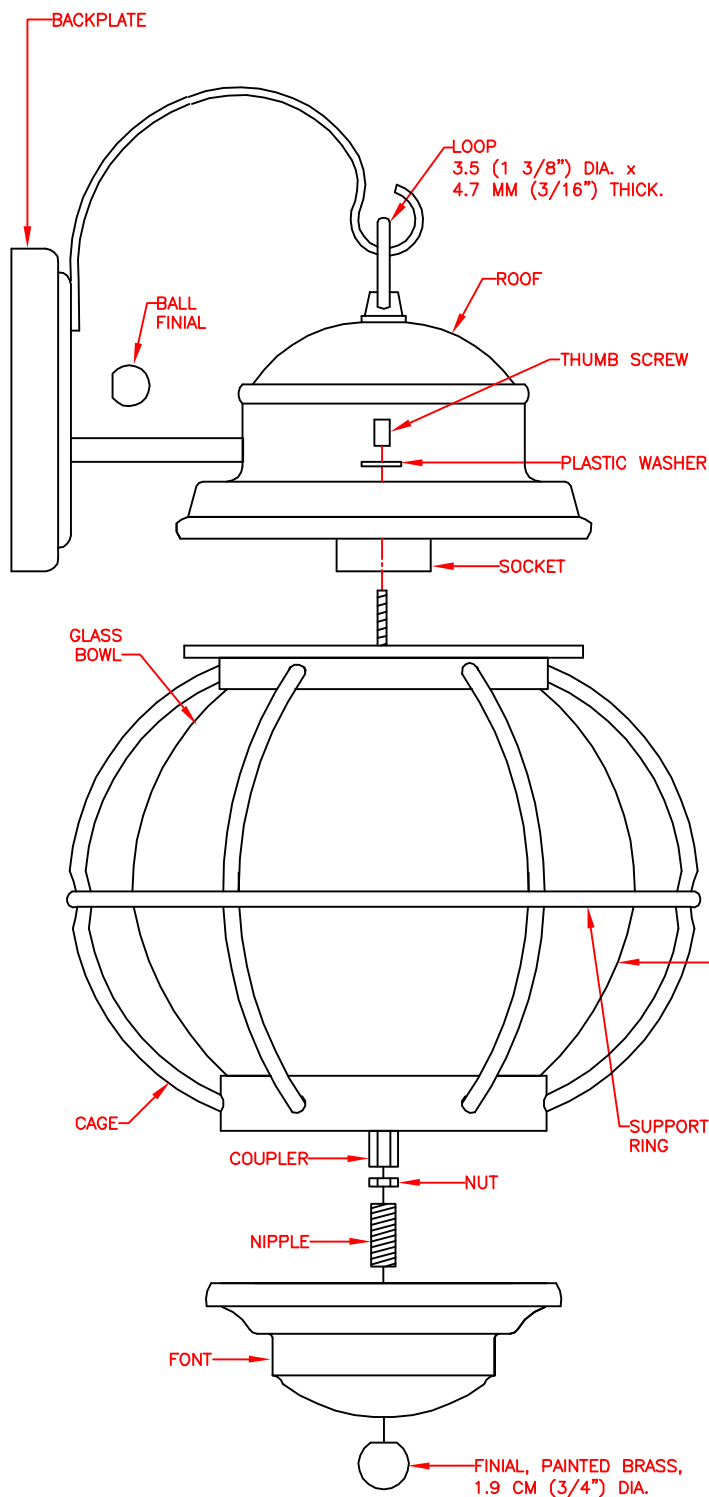
NIPPLE, CROSSBAR, GREEN GROUND SCREW, (3) WIRE CONNECTORS, (2) 8-32 x 1 1/4" SCREWS, NUT.

FIXTURE ASSEMBLY

1. REMOVE (2) THUMB SCREWS, (2) PLASTIC WASHERS, AND ROOF.
2. COMPLETE INSTALLATION INSTRUCTIONS ON REVERSE.

FINAL ASSEMBLY

1. INSTALL 100 WATT MAX. MEDIUM BASE BULB (NOT INCLUDED) INTO SOCKET.
2. REPLACE CAGE ASSEMBLY AND SECURE WITH (2) PLASTIC WASHERS AND (2) THUMBSCREWS.
3. SCREW NIPPLE INTO COUPLER AND SECURE WITH NUT.
4. SLIDE FONT OVER NIPPLE AND SECURE WITH BALL FINIAL.



AVAILABLE PART IS:
90962GS (GLASS BOWL)

