

PRODUCT SPECIFICATIONS

OVERALL ASSEMBLED DIMENSIONS

HEIGHT: 78.4 CM (30-7/8"), DIA: 93 CM (36-5/8").

9+3 LIGHTS: UL LISTED. LARGE SOCKET, 60 WATT. MEDIUM BASE CERAMIC E-26 SOCKET, UPPER/LOWER SOCKET: 7 WATT. CANDELABRA BASE E-12 PHENOLIC SOCKET. 3-WAY ROTARY SWITCH LOCATED AS SHOWN.

CANOPY: PAINTED RESIN, 15 CM (6") DIA. X 3.8 CM (1-1/2") HEIGHT. SHAPED AS SHOWN.

SUPPLY WIRE: UL LISTED, MIN. 305 CM (10 FT.) LENGTH, 18 AWG., 2 CONDUCTORS, 105°C, BROWN COLOR. WIRES MUST BE LEAD FREE.

CHAIN: PAINTED METAL, 5.8 MM THICK, 183 CM (6 FT.) MIN. LENGTH.

DISTRIBUTOR: PAINTED METAL, 16.3 CM (6-3/8") DIA. X 4.6 CM (1-3/4") HEIGHT. SHAPED AS SHOWN.

ARMS: PAINTED METAL, UPPER ARM: 23.9 CM (9-3/8") WIDTH X 48.3 CM (19") HEIGHT, LOWER ARM: 35.5 CM (14") WIDTH X 63.2 CM (24-7/8") HEIGHT, SHAPED AS SHOWN.

GLASS SHADES: ART GLASS SHADE, GLASS SHADE (A): 22.2 CM (8-3/4") DIA. X 18 CM (7-1/8") HEIGHT, GLASS SHADE (B): 18 CM (7-1/8") DIA. X 13.2 CM (5-1/4") HEIGHT, GLASS SHADE (C): 9.7 CM (3-3/4") DIA. X 17.7 CM (7") HEIGHT. SHAPED AS SHOWN.

CUP: PAINTED METAL, 6.4 CM (2-1/2") DIA. X 4.8 CM (1-7/8") HEIGHT. SHAPED AS SHOWN.

LABELS: CETL, MANUFACTURING DATE, MODEL # AND COUNTRY OF ORIGIN LABELS PROVIDED IN CANOPY. RELAMPING LABEL FOR 60 WATT MAX. TYPE "A" BULB PROVIDED ON LARGE SOCKET, RELAMPING LABEL FOR 7 WATT MAX. TYPE "C" BULB PROVIDED ON UPPER/LOWER SOCKET.

PACKAGING AND SHIPPING DETAILS

THE FIXTURE IS DISASSEMBLED FOR SHIPPING. EACH PART IS WRAPPED IN A PLASTIC BAG WITH A SMALL BAG OF SILICA AND PACKED IN ITS OWN CARDBOARD CARTON.

HARDWARE PACK #001 IS PROVIDED. ALL PARTS SHOULD BE SECURED SO THEY CAN NOT MOVE DURING SHIPPING.

THE CARTON IS MADE OF DOUBLE WALL, CORRUGATED CARDBOARD "A MA A". BROWN IN COLOR. THE INNER PACKING IS DIE-CUT CARDBOARD OR STYROFOAM TO PROTECT AND SECURE THE LAMP AND MUST PASS THE SPECIFIED DROP TEST REQUIREMENTS.

EACH CARTON SHALL BE PRINTED WITH A LINE DRAWING AND THE KENROY HOME NAME AND LOGO, MODEL NUMBER, SKU NUMBER AND FINISH, EACH CARTON SHALL BE PROVIDED A UPC LABEL. THE UPC BAR CODE AS FOLLOWS: TS=053392061883.

OTHER DETAILS

ALL VISIBLE PARTS MUST MATCH IN FINISH UNLESS OTHERWISE SPECIFIED.

MODEL 90899 INSTALLATION INSTRUCTIONS ARE TO BE PACKED WITH FIXTURE, AND BE PRINTED CLEARLY ON QUALITY PAPER.

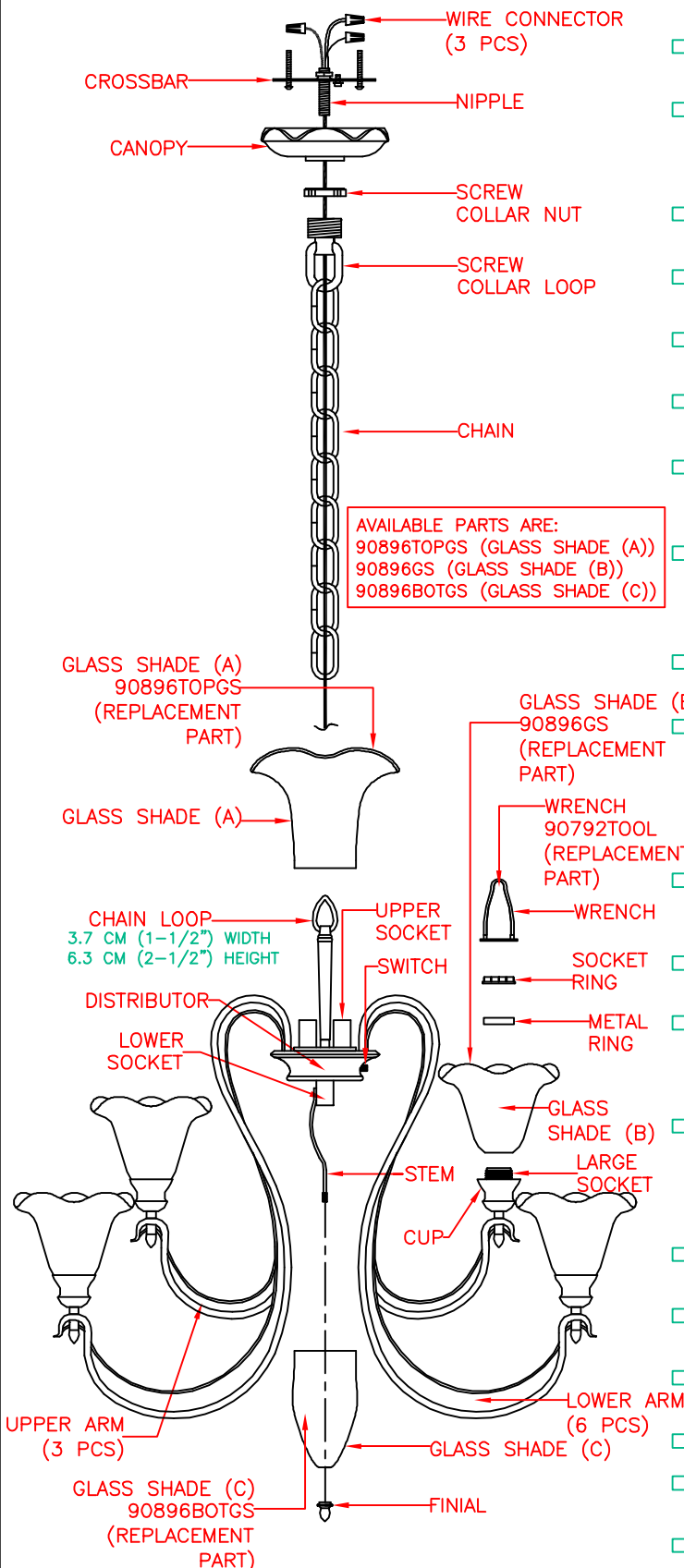
ALL BAGS MUST BE LABELED WITH OFFICIAL "THIS BAG IS NOT A TOY" STATEMENT.

ASSEMBLY TIME: 30 MINUTES.

DIMS OF BOX: 88 CM (34-11/16") LENGTH X 48 CM (18-15/16") WIDTH X 69 CM (27-3/16") HEIGHT.

NET WEIGHT: 31.5 LBS. GROSS WEIGHT: 41.5 LBS.

THE CETL NUMBER IS 3170133.



KENROY HOME

11660 CENTRAL PARKWAY
JACKSONVILLE, FL. 32224
PHONE: 904-642-4340
FAX: 904-642-4150

THIS DOCUMENT AND THE INFORMATION THAT IT DISCLOSES IS THE EXCLUSIVE PROPERTY OF KENROY HOME. ANY REPRODUCTION OR USE OF THIS DRAWING IN PART OR IN WHOLE, WITHOUT THE EXPRESS CONSENT OF THE PROPRIETOR IS PROHIBITED. © 2007 KENROY HOME.

DATE: 1/16/2007

SCALE: NONE

DRAWN BY: JAMES

REFERENCE: INVERNESS 9+3LT. CHANDELIER

REVISION DATE: 4/8/08 ADD PARTS NO.

REVISION DATE: 3/6/09 change UL to CETL

REVISION DATE:

REVISION DATE:

MODEL #:

90899

FINISH: TS

PAGE: 1 OF: 1