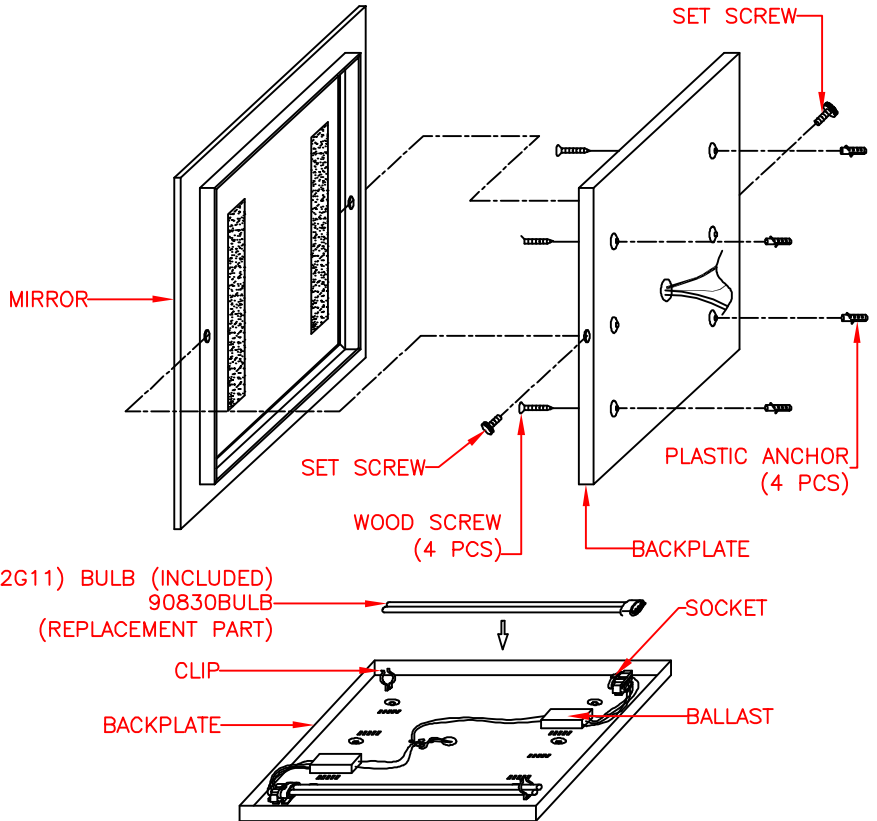


FRONT VIEW

AVAILABLE PART IS:
90830BULB (BULB)



PRODUCT SPECIFICATIONS

OVERALL ASSEMBLED DIMENSIONS

HEIGHT: 64.8 CM (25-1/2"), WIDTH: 80 CM (31-1/2"), EXTENSION: 5.1 CM (2").

2 LIGHTS: UL LISTED. 55 WATT. 2G11 CERAMIC SOCKET. BULBS INCLUDED.

MIRROR: GLASS MIRROR, 4 MM THICK, 80 CM (31-1/2") WIDTH x 64.8 CM (25-1/2") HEIGHT.

BACKPLATE: PAINTED METAL, 60.2 CM (23-11/16") WIDTH x 4.4 CM (1-3/4") HEIGHT x 75.2 CM (29-5/8") EXTENSION.

BALLAST: UL LISTED, 120 V. 55 WATT, MODEL: AEB P155U04.

SUPPLY WIRE: UL LISTED. 18 AWG, 105°C, MUST EXTEND A MINIMUM OF 30 CM (11-3/4") PAST CENTER OF BACKPLATE. WIRES MUST BE LEAD FREE.

LABELS: ETL, MANUFACTURING DATE, MODEL # AND COUNTRY OF ORIGIN LABEL PROVIDED. RELAMPING LABEL FOR 55 WATT TYPE "2G11" BULB PROVIDED NEAR SOCKET.

PACKAGING AND SHIPPING DETAILS

ALL PARTS ARE SECURED SO THEY CAN NOT MOVE DURING SHIPPING. ENTIRE FIXTURE IS COVERED IN A CLOSED PLASTIC BAG WITH A SMALL BAG OF SILICA GEL INSIDE.

THE CARTON IS MADE OF DOUBLE WALL, CORRUGATED CARDBOARD "A MA A". BROWN IN COLOR. THE INNER PACKING IS DIE-CUT CARDBOARD OR STYROFOAM TO PROTECT AND SECURE THE LAMP AND MUST PASS THE SPECIFIED DROP TEST REQUIREMENTS.

EACH CARTON SHALL BE PRINTED WITH A LINE DRAWING AND THE KENROY HOME NAME AND LOGO, MODEL NUMBER, SKU NUMBER AND FINISH, EACH CARTON SHALL BE PROVIDED A UPC LABEL. THE UPC BAR CODE AS FOLLOWS: 053392051174.

OTHER DETAILS

MODEL 90831 INSTRUCTIONS ARE TO BE PACKED WITH EACH MIRROR. INSTRUCTIONS MUST BE PRINTED CLEARLY ON QUALITY PAPER.

ALL BAGS MUST BE LABELED WITH OFFICIAL "THIS BAG IS NOT A TOY" STATEMENT.

DIMS OF BOX: 101 CM (39-3/4") LENGTH x 19.7 CM (7-3/4") WIDTH x 85 CM (33-1/4") HEIGHT.

ASSEMBLY TIME: 15 MINUTES.

THE ETL NUMBER IS 3126070.

KENROY HOME 11660 CENTRAL PARKWAY JACKSONVILLE, FL 32224 PHONE: 904-642-4340 FAX: 904-642-4150	THIS DOCUMENT AND THE INFORMATION THAT IT DISCLOSES IS THE EXCLUSIVE PROPERTY OF KENROY HOME. ANY REPRODUCTION OR USE OF THIS DRAWING IN PART OR IN WHOLE, WITHOUT THE EXPRESS CONSENT OF THE PROPRIETOR IS PROHIBITED. © 2007 KENROY HOME.			REVISION DATE: 11/13/08 remove crossbar	MODEL #: 90831
	DATE: 3/2/2007	SCALE: NONE	DRAWN BY: JAMES	REVISION DATE: 11/25/08 change to ETL	FINISHES:
	REFERENCE: RIFLETTA LARGE 2LT VANITY MIRROR	APPROVAL:	REVISION DATE:	REVISION DATE:	PAGE: 1 OF 1
				REVISION DATE:	REVISION DATE: