

## PRODUCT SPECIFICATIONS

### OVERALL ASSEMBLED DIMENSIONS

HEIGHT: 61.4 CM (24-1/4") (WITHOUT HANGING HOOKS),  
 HEIGHT: 72.7 CM (28-1/2") (WITH HANGING HOOKS),  
 LENGTH: 100.7 CM (39-3/4"), WIDTH: 58.1 CM (22-7/8").

**2 LIGHTS:** UL LISTED. 100 WATT. MEDIUM BASE CERAMIC E-26 SOCKET.

**CANOPY:** PAINTED RESIN WITH METAL INSERT, ELLIPSE, LENGTH: 28 CM (11"), WIDTH: 17 CM (6-3/4") x 2.5 CM (1") HEIGHT. SHAPED AS SHOWN. HOLE IN CANOPY TO LET MOUNTING NIPPLE PASS THROUGH.

**CHAIN:** PAINTED METAL, 5.5 MM THICK, 2 PIECES, 183 CM (6 FT.) MIN. LENGTH EACH.

**SUPPLY WIRE:** UL LISTED. 18 AWG, 105°C, 304.8 CM (10 FT.), BROWN COLOR. WIRES MUST BE LEAD FREE. WIRE MUST BE LEAD FREE.

**METAL FRAME:** PAINTED METAL, 100.7 CM (39-3/4") LENGTH x 58.1 CM (22-7/8") WIDTH x 61.4 CM (24-1/4") HEIGHT. SHAPED AS SHOWN.

**CUP:** PAINTED METAL, 12.4 CM (4-7/8") DIA. x 2.5 CM (1") HEIGHT.

**GLASS SHADE:** PAINTED AMBER GLASS SHADE, 12 CM (4-3/4") DIA. x 16.4 CM (6-1/2") HEIGHT. SHAPED AS SHOWN.

**HANGING HOOK:** PAINTED METAL, 6 MM (1/4") DIA. x 12.3 CM (4-7/8") LENGTH x 5 CM (2") WIDTH, (8) HANGING HOOKS ARE PROVIDED. SHAPED AS SHOWN.

**LABELS:** UL AND CSA OR CUL, MANUFACTURING DATE, MODEL # AND COUNTRY OF ORIGIN LABELS PROVIDED IN CANOPY. RELAMPING LABEL FOR 100 WATT MAX. TYPE "A" BULB PROVIDED NEAR SOCKET.

### PACKAGING AND SHIPPING DETAILS

THE FIXTURE IS DISASSEMBLED FOR SHIPPING AS SHOWN. EACH PART IS WRAPPED IN A PLASTIC BAG WITH A SMALL BAG OF SILICA AND PACKED IN ITS OWN CARDBOARD CARTON.

HARDWARE PACK #004 ARE PROVIDED. ALL PARTS SHOULD BE SECURED SO THEY CAN NOT MOVE DURING SHIPPING.

THE CARTON IS MADE OF A DOUBLE WALL CORRUGATED CARDBOARD "A MA A". BROWN IN COLOR. THE INNER PACKING IS DIE-CUT CARDBOARD OR STYROFOAM SUFFICIENT TO PROTECT AND SECURE THE FIXTURE AND MUST PASS THE SPECIFIED DROP TEST REQUIREMENTS.

EACH CARTON SHALL BE PRINTED WITH A LINE DRAWING AND THE KENROY HOME NAME AND LOGO, MODEL NUMBER, SKU NUMBER AND FINISH, EACH CARTON SHALL BE PROVIDED A UPC LABEL. THE UPC BAR CODE AS FOLLOWS: AGC=053392060930.

### OTHER DETAILS

ALL VISIBLE METAL PARTS MUST MATCH IN FINISH UNLESS OTHERWISE SPECIFIED.

MODEL 90505 INSTALLATION INSTRUCTIONS ARE TO BE PACKED WITH FIXTURE AND BE PRINTED CLEARLY ON QUALITY PAPER.

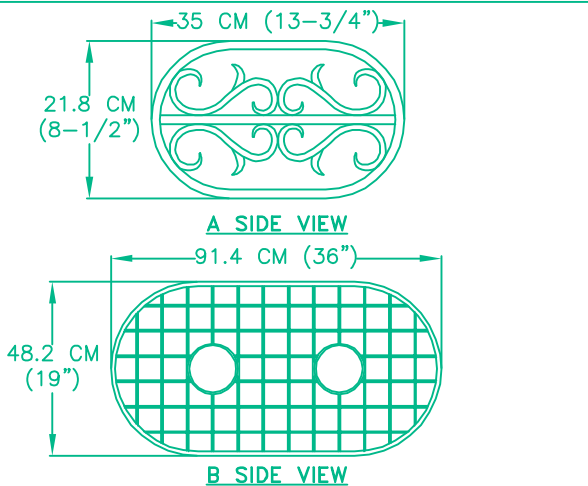
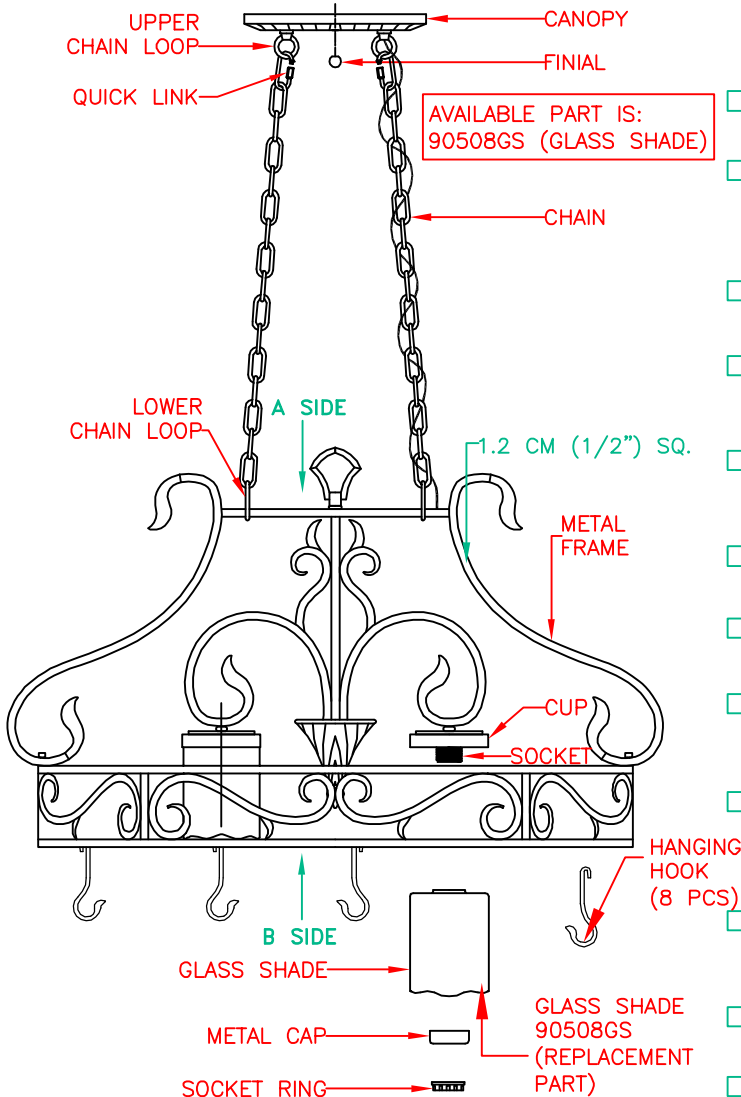
ALL BAGS MUST BE LABELED WITH OFFICIAL "THIS BAG IS NOT A TOY" STATEMENT.

ASSEMBLY TIME: 10 MINUTES.

DIMS OF BOX: 109.5 CM (43-1/8") LENGTH x 65.5 CM (25-3/4") WIDTH x 64.5 CM (25-3/8") HEIGHT.

NET WEIGHT: GROSS WEIGHT:

THE UL NUMBER IS E174362.



**KENROY HOME**

11660 CENTRAL PARKWAY  
 JACKSONVILLE, FL. 32224  
 PHONE: 904-642-4340  
 FAX: 904-642-4150

THIS DOCUMENT AND THE INFORMATION THAT IT DISCLOSES IS THE EXCLUSIVE PROPERTY OF KENROY HOME. ANY REPRODUCTION OR USE OF THIS DRAWING IN PART OR IN WHOLE, WITHOUT THE EXPRESS CONSENT OF THE PROPRIETOR IS PROHIBITED. © 2007 KENROY HOME.

DATE: 1/3/2007

SCALE: NONE

DRAWN BY: JAMES

REFERENCE: VERONA 2LT. POTRACK

REVISION DATE: 9/12/07 add wood screws

REVISION DATE: 4/7/08 ADD PARTS NO.

REVISION DATE:

REVISION DATE:

MODEL #:

90505

FINISHES:

AGC

PAGE:

1

OF:

1