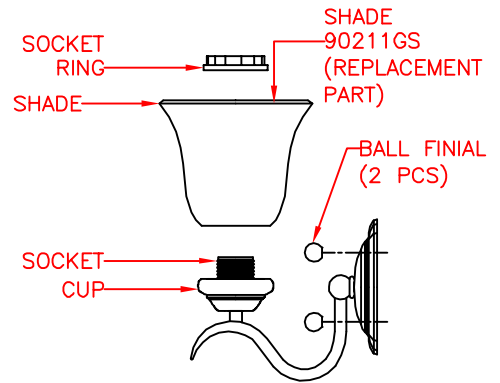


**FRONT VIEW**



**SIDE VIEW**

AVAILABLE PART IS:  
90211GS (SHADE)

## PRODUCT SPECIFICATIONS

### OVERALL ASSEMBLED DIMENSIONS

HEIGHT: 24.1 CM (9-1/2"), WIDTH: 75.6 CM (29-3/4"), EXTENSION: 20.3 CM (8").

- 4 LIGHT:** UL LISTED. 100 WATT. MEDIUM BASE E-26 CERAMIC SOCKET WITH OUTSIDE THREADS. METAL SOCKET RINGS PROVIDED.
- BACKPLATE:** PLATED OR PAINTED STEEL, 19 CM (7-1/2") HEIGHT, 11.2 CM (4-3/8") WIDTH, 3.2 CM (1-1/4") EXTENSION, SHAPED AS SHOWN.
- CUP:** PLATED OR PAINTED STEEL, 7 CM (2-3/4") DIA. x 3 CM (1-1/8") HEIGHT. SHAPED AS SHOWN.
- SHADE:** WHITE ALABASTER GLASS, 15.2 CM (6") DIA. x 13 CM (5-1/8") HEIGHT. SHAPED AS SHOWN.
- ARMS:** PLATED OR PAINTED STEEL TUBING, 9.5 MM (3/8") DIA., ARM 1: 32.2 CM (12-3/4") WIDTH x 9 CM (3-1/2") HEIGHT, ARM 2: 19 CM (7-1/2") WIDTH x 9 CM (3-1/2") HEIGHT, SHAPED AS SHOWN.
- SUPPLY WIRE:** UL LISTED. 18 AWG, 105°C, MUST EXTEND A MINIMUM OF 15.2 (6") PAST CENTER OF BACKPLATE. WIRE MUST BE LEAD FREE.
- LABEL:** UL AND CSA OR CUL, MANUFACTURE DATE, MODEL # AND COUNTRY OF ORIGIN LABELS PROVIDED ON BACKPLATE. RELAMPING LABEL FOR 100 WATT TYPE "A" BULB PROVIDED ON SOCKET OR NEAR SOCKET.
- PACKAGING AND SHIPPING**  
THE ITEM IS DISASSEMBLED FOR SHIPPING AS SHOWN. EACH PART IS SECURED SO THEY CAN NOT MOVE DURING SHIPPING.
- HARDWARE PACK #005 PROVIDED. ENTIRE FIXTURE IS COVERED IN A CLOSED PLASTIC BAG WITH A SMALL BAG OF SILICA INSIDE.
- THE CARTON IS MADE OF DOUBLE WALL CORRUGATED CARDBOARD "A MA A". BROWN IN COLOR. THE INNER PACKING IS DIE-CUT CARDBOARD OR STYROFOAM TO PROTECT AND SECURE THE FIXTURE AND MUST PASS THE SPECIFIED DROP TEST REQUIREMENTS.
- EACH CARTON SHALL BE PRINTED WITH A LINE DRAWING AND THE KENROY HOME NAME AND LOGO, MODEL NUMBER, SKU NUMBER AND FINISH, EACH CARTON SHALL BE PROVIDED A UPC LABEL. THE UPC BAR CODE AS FOLLOWS: BS=053392171629, ORB=053392183288.
- OTHER DETAILS:**  
ENTIRE BACKPLATE ASSEMBLY MUST SIT FLUSH AGAINST WALL SURFACE.
- ALL VISIBLE METAL PARTS MUST MATCH FIXTURE FINISH UNLESS OTHERWISE SPECIFIED.
- MODEL 90214 INSTRUCTIONS ARE TO BE PRINTED CLEARLY ON QUALITY PAPER AND PACKED WITH EACH FIXTURE.
- ALL BAGS MUST BE LABELED WITH OFFICIAL "THIS BAG IS NOT A TOY" STATEMENT.
- DIMS OF BOX: 73.7 CM (29") LENGTH x 20.32 CM (8") WIDTH x 28.6 CM (11-1/4") HEIGHT.
- NET WEIGHT: 7.0 LBS. GROSS WEIGHT: 10.65 LBS.
- ASSEMBLING TIME: 5 MINUTES.
- THE UL NUMBER IS E186084.

**KENROY  
HOME**

11660 CENTRAL PARKWAY  
JACKSONVILLE, FL. 32224  
PHONE: 904-642-4340  
FAX: 904-642-4150

THIS DOCUMENT AND THE INFORMATION THAT IT DISCLOSES IS THE EXCLUSIVE PROPERTY OF KENROY HOME. ANY REPRODUCTION OR USE OF THIS DRAWING IN PART OR IN WHOLE, WITHOUT THE EXPRESS CONSENT OF THE PROPRIETOR IS PROHIBITED. © 2000 KENROY HOME.

DATE: 6/11/03

SCALE: NONE

DRAWN BY: JAMES

REFERENCE:

MEDUSSA 4 LIGHT VANITY

REVISION DATE:  
6/25/2004 JAMES

REVISION DATE:  
remove B/W label 06/01/06

REVISION DATE:  
4/16/08 ADD PARTS NO.

APPROVAL:

MODEL #:

90214

FINISH: BS, ORB

PAGE: 1 OF: 1