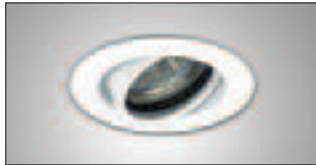


Catalog Number: _____

Type: _____

Project: _____



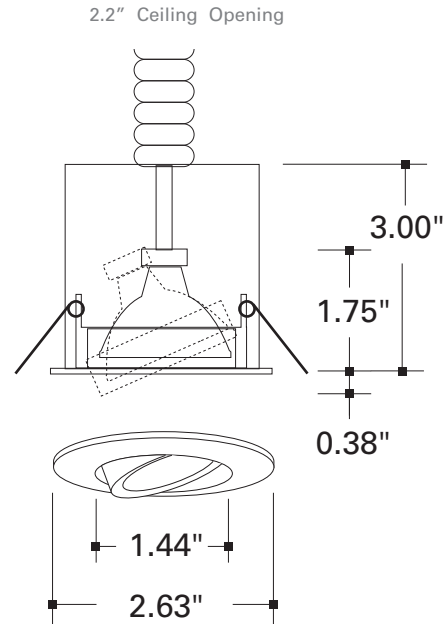
SERIES 8405



Prima Recessed Architectural - Miniature Die Cast Series 8405 Adjustable Downlight Trim / Adjustable Gimbal is offered with or without a housing. The 8405 Series is suitable for most downlighting and accent applications where minimal above ceiling space is a factor.

Adjustable Downlight for MR11 Lamp - Adjustable Gimbal

- 2.63" Diameter Die Cast Trim w/ Integral Glass Lens
- Provides precision downlighting
- 35° adjustable gimbal provides added accent possibilities
- Housing with knockouts electrical entry included
- MR11 lamp 12 volt 35 watts maximum on plaster or wooden board



MINIATURE DIE CAST TRIM SERIES

Trim Type	Trim Finish
<input type="checkbox"/> 8405 - Adjustable Gimbal for MR11 Lamp	<input type="checkbox"/> BA - Brushed Aluminum
<input type="checkbox"/> 8405NH - Adjustable Gimbal for MR16 Lamp (No Housing)	<input type="checkbox"/> BB - Brushed Bronze
	<input type="checkbox"/> BK - Black
	<input type="checkbox"/> PC - Polished Chrome
	<input type="checkbox"/> PG - Polished Gold
	<input type="checkbox"/> SV - Silver
	<input type="checkbox"/> WH - White



Class II Transformers	
Item Number	Description
<input type="checkbox"/> 35-150M-12	Magnetic Transformer 120-12V • 3 x 50VA Circuits (special approved)
<input type="checkbox"/> 35-250M-12	Magnetic Transformer 120-12V • 4 x 60VA Circuits
<input type="checkbox"/> 35-300M-12	Magnetic Transformer 120-12V • 5 x 60VA Circuits
<input type="checkbox"/> 35-500M-12	Magnetic Transformer 120-12V • 8 x 60VA Circuits
<input type="checkbox"/> 37-060-12*	Electronic Transformer 120V-12V • 60VA
<input type="checkbox"/> 37-060-12P-BK	Electronic Plug-In Transformer 120V-12V • 60VA • Black finish
<input type="checkbox"/> 37-060-12P-SV	Electronic Plug-In Transformer 120V-12V • 60VA • Silver finish
<input type="checkbox"/> 37-060-12P-WH	Electronic Plug-In Transformer 120V-12V • 60VA • White finish
<input type="checkbox"/> 37-303R-12	Electronic Transformer w/ Enclosure 120V-12V • 6 x 50VA Circuits

277 Volt transformers are available upon request. Consult the factory for details.

*Separate enclosure required for remote installations

Class II Magnetic Transformers

- Short Circuit Protection
- Overload Protection
- Manual Reset Breakers
- Low Voltage Magnetic Dimmer Recommended

Class II Electronic Transformers

- Short Circuit Protection
- Overload Protection
- Automatic Reset
- RFI Filter
- Low Voltage Electronic Dimmer Recommended