

Catalog Number: _____

Type: _____

Project: _____



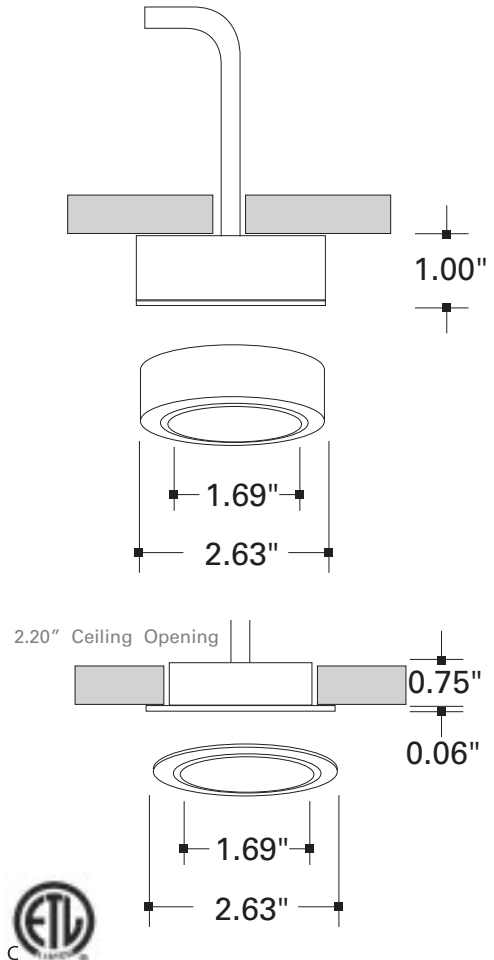
SERIES 8403



Prima Recessed Architectural - Miniature Die Cast Series 8403 Fixed Puck Style Fixture can be recessed or surface mounted. The 8403 Series is suitable for most task lighting applications where minimal above ceiling space is a factor.

Recessed or Surface Mounted Puck Style Fixture for G4 Bi-Pin Lamp

- 2.63" Diameter Metal Housing w/ Integral Glass Lens
- General downlight/tasklight is extremely versatile with surface or recessed mounting options.
- Perfect for under cabinets, kitchens, wall units, vanities, night lights & work areas
- Internal reflector and frosted glass lens optimize light output
- For G4 bi-pin lamp (included) 12 volt 20 watts maximum on plaster or wooden board



MINIATURE DIE CAST TRIM SERIES

Trim Type	Trim Finish
<input type="checkbox"/> 8403 - Puck Style Fixture for G4 bi-pin Lamp Recessed or Surface Mountable	<input type="checkbox"/> BA - Brushed Aluminum
	<input type="checkbox"/> BB - Brushed Bronze
	<input type="checkbox"/> BK - Black
	<input type="checkbox"/> PC - Polished Chrome
	<input type="checkbox"/> PG - Polished Gold
	<input type="checkbox"/> SV - Silver
	<input type="checkbox"/> WH - White



Class II Transformers	
Item Number	Description
<input type="checkbox"/> 35-150M-12	Magnetic Transformer 120-12V • 3 x 50VA Circuits (special approved)
<input type="checkbox"/> 35-250M-12	Magnetic Transformer 120-12V • 4 x 60VA Circuits
<input type="checkbox"/> 35-300M-12	Magnetic Transformer 120-12V • 5 x 60VA Circuits
<input type="checkbox"/> 35-500M-12	Magnetic Transformer 120-12V • 8 x 60VA Circuits
<input type="checkbox"/> 37-060-12*	Electronic Transformer 120V-12V • 60VA
<input type="checkbox"/> 37-060-12P-BK	Electronic Plug-In Transformer 120V-12V • 60VA • Black finish
<input type="checkbox"/> 37-060-12P-SV	Electronic Plug-In Transformer 120V-12V • 60VA • Silver finish
<input type="checkbox"/> 37-060-12P-WH	Electronic Plug-In Transformer 120V-12V • 60VA • White finish
<input type="checkbox"/> 37-303R-12	Electronic Transformer w/ Enclosure 120V-12V • 6 x 50VA Circuits

277 Volt transformers are available upon request. Consult the factory for details.

*Separate enclosure required for remote installations

Class II Magnetic Transformers

- Short Circuit Protection
- Overload Protection
- Manual Reset Breakers
- Low Voltage Magnetic Dimmer Recommended

Class II Electronic Transformers

- Short Circuit Protection
- Overload Protection
- Automatic Reset
- RFI Filter
- Low Voltage Electronic Dimmer Recommended