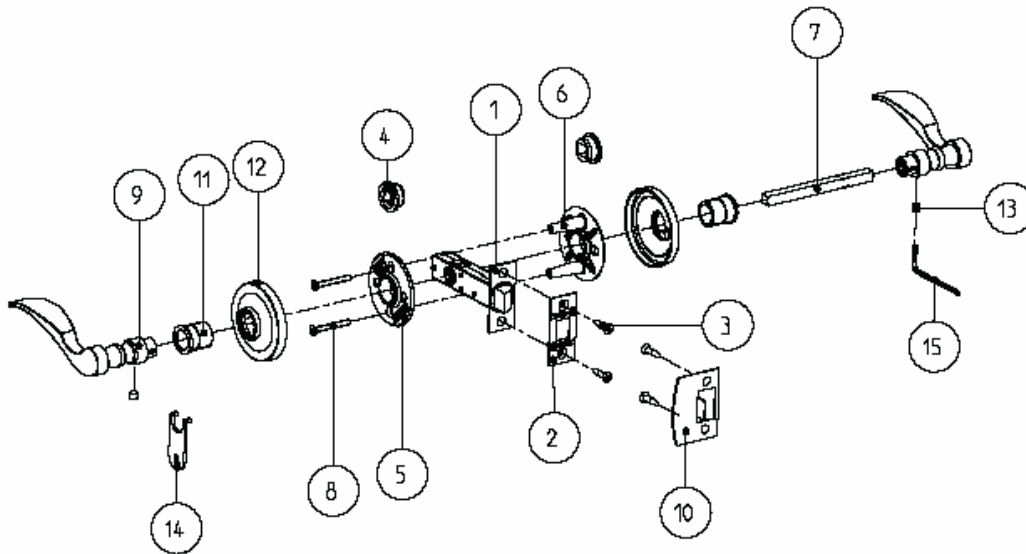


TECHNICAL SPECIFICATIONS

Passage set

2 1/8" Face bore

Part N°	Assignment	Amount
1	Passage latch	1
2	Face plate	1
3	N.8x3/4" Flat head wood screws	4
4	Nylon selfalignment plug	2
5	Mounting bracket plate	1
6	Mounting bracket plate with posts	1
7	Passage spindle	1
8	N.8-32x1 3/8" flat head machine screws	2
9	Lever or Knob	2
10	Strike	1
11	Trim nut	2
12	Passage rosette	2
13	Set screw (1/4")	2
14	Trim nut key	1
15	Allen wrench (1/8")	1



5683564
992XX001W00

HARDWARE

CIFIAL USA
USA P +1800 5284904 F +1800 5281969 info@cifialusa.com www.cifialusa.com
CIFIAL - Centro Industrial de Ferragens, S.A.
Portugal T +351 256 780 100 F +351 256 783 395 cifial@cifial.pt www.cifial.pt
CIFIALDECOR, S.A.
Espanha T +34 916 110 261 F +34 916 103 694 cifialdecor@infonegocios.com
CIFIAL UK, Ltd.
UK P +44 1933 402 008 F +44 1933 402 063 sales@cifial.co.uk www.cifial.co.uk

CIFIAL

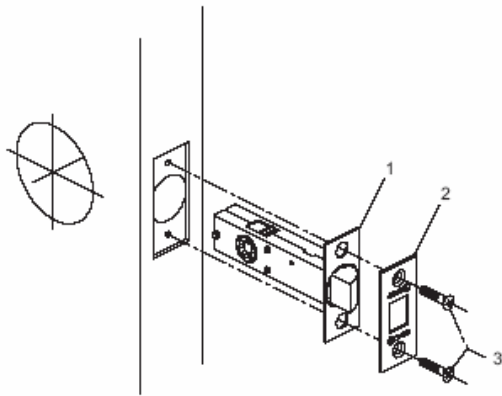


Figure 1

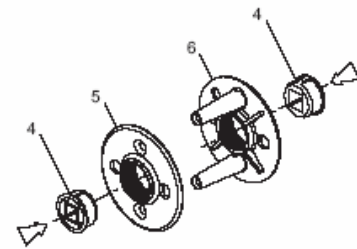


Figure 2

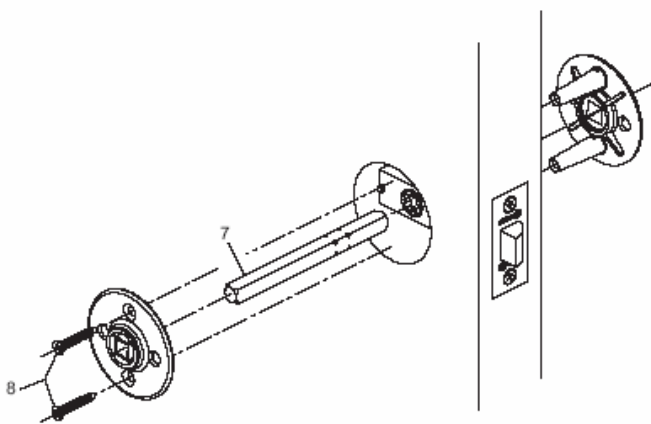


Figure 3

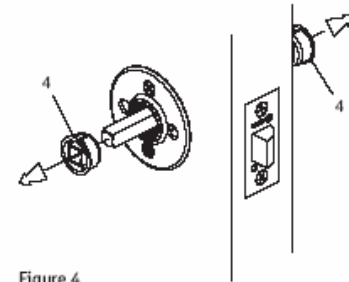


Figure 4

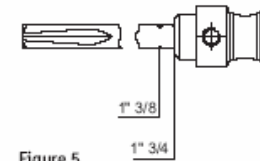


Figure 5

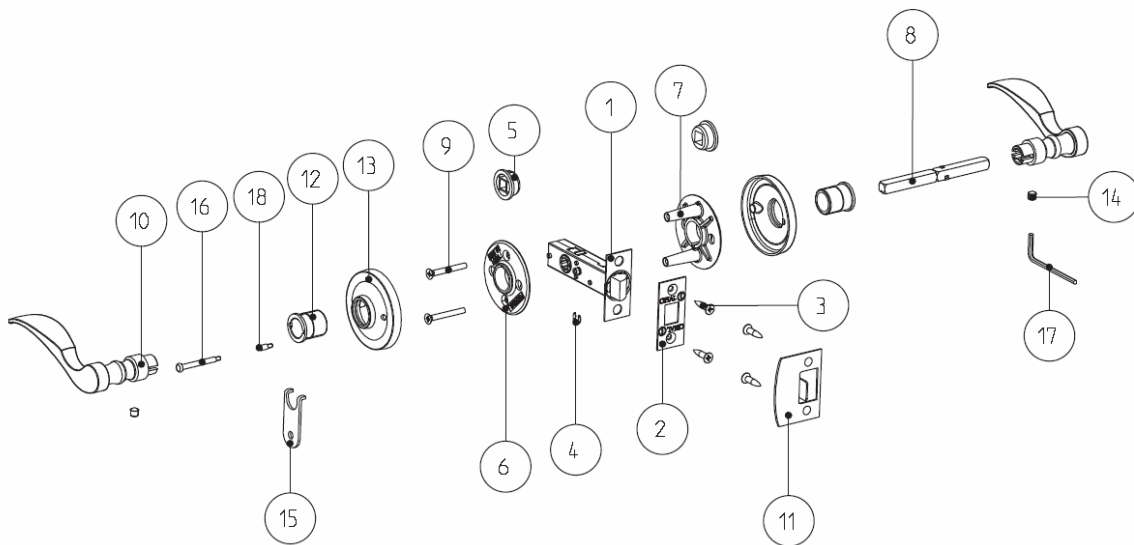
- 1 - Insert latch [1] into 1 inch edge bore. Place face plate [2] over latch bolt and secure with 2 wood screws [3], as shown on figure 1.
- 2 - Insert passage spindle [7] with V-groove down for proper set screw seating.
- 3 - Insert nylon self alignment plugs [4] into both plates of mounting bracket [5&6], as shown on figure 2.
- 4 - Slide mounting bracket over spindle [7] and fasten with two screws [8], as shown on figure 3.
- 5 - Once mounting bracket is secure, remove nylon self alignment plugs [4] and discard, as shown on figure 4.
- 6 - Trim installation. Remove spindle (for easier rosette installation). Place rosette [12] over mounting bracket and align boss into mounting bracket hole. Place trim nut [11] through rosette and screw into mounting bracket. Secure with trim nut key [14].
- 7 - Take knob or lever in hand allowing the set screw hole to be visible. Insert spindle into knob or lever with setscrew indentations aligned properly to mate with set screw. Push the spindle into handle aligning the edge of the handle stem with the appropriate spindle notch.
- 8 - Insert the spindle with handle fastened to one end (Step #8) through the door trim and latch with V-groove and the setscrew in the down position. Handle should be against the trim nut bushing. Slide remaining lever or knob on opposite end of spindle with the setscrew hole oriented to the bottom (V-groove) of the spindle to mate with the V-groove. Press handle against the trim nut bushing and tighten set screw.

TECHNICAL SPECIFICATIONS

Privacy set

2 1/8" Face bore

Part Nº	Assignment	Amount
1	Privacy latch	1
2	Face plate	1
3	N.8x3/4" Flat head wood screws	4
4	C-clip	1
5	Nylon self alignment plug	2
6	Mounting bracket plate	1
7	Mounting bracket plate with posts	1
8	Privacy spindle	1
9	8-32x1 3/8" flat head machine screws	2
10	Lever or knob	2
11	Strike	1
12	Trim nut	2
13	Privacy rosette	2
14	Set screw (1/4")	2
15	Trim nut key	1
16	Privacy pin	1
17	Allen wrench (1/8")	1
18	Privacy pin extension	1



5663565
982X0102W01

HARDWARE

CIFIAL USA
USA P +1800 5284904 F +1800 5281969 info@cifialusa.com www.cifialusa.com
CIFIAL - Centro Industrial de Ferragens, S.A.
Portugal T +351 256 780 100 F +351 256 783 395 cifial@cifial.pt www.cifial.pt
CIFIALDECOR, S.A.
Espanha T +34 916 110 261 F +34 916 103 694 cifialdecor@infonegocio.com
CIFIAL UK, Ltd.
UK P +44 1933 402 008 F +44 1933 402 063 sales@cifial.co.uk www.cifial.co.uk

CIFIAL

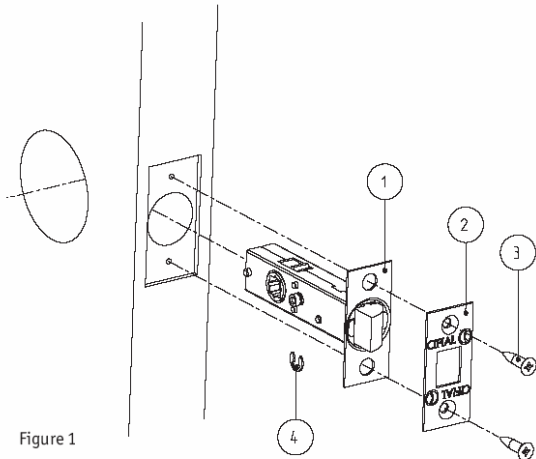


Figure 1

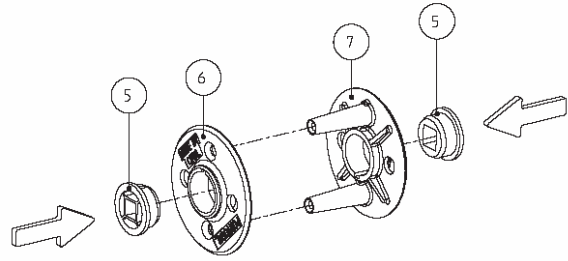


Figure 2

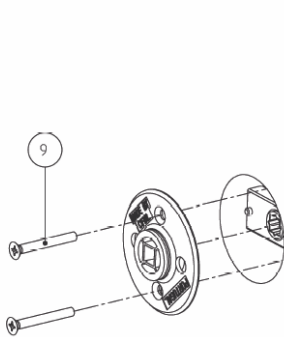


Figure 3

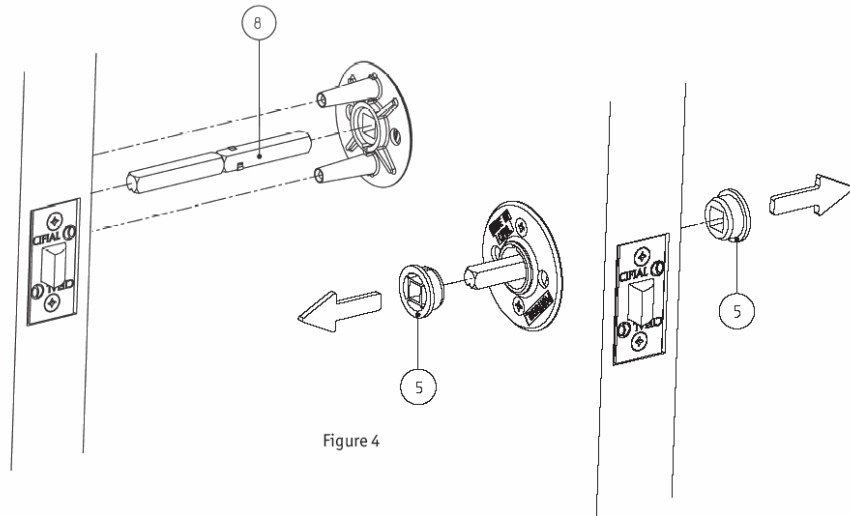


Figure 4

1. Remove C-clip [4] from the latch on the side which receive the privacy pin (inside of room to be locked). Insert latch [1] into 1 inch edge bore. Place face plate [2] over latch bolt and secure with 2 wood screws [3], as shown on figure 1.
2. Insert privacy spindle [8] with V-groove down for proper set screw seating.
3. Insert nylon self alignment plugs [5] into both plates [6&7], as shown on figure 2.
4. Slide mounting bracket over spindle [8] and fasten with two screws [9], as shown on figure 3.
5. Once mounting bracket is secure, remove nylon self alignment plugs [5] and discard, as shown on figure 4.
6. Trim installation: remove spindle (for easier rosette installation). Place rosette [13] over mounting bracket and align boss into mounting bracket hole. Place trim nut [12] through rosette and screw into mounting bracket. Secure with trim nut key [15]. Place privacy pin [16] through privacy hole on rosette and screw into threaded stud on latch. If needed, use privacy pin extension [18].
7. Insert privacy spindle [8] with V-groove down until notched stop is resting against latch.
8. Place lever or knob [10] over spindle [8] and secure with set screw [14] using provided allen wrench [17].