

Features

- 1/2' NPT connections
- 2.2 gpm (8.3 lpm) flow rate
- Vertical wall installation
- Available as a 54-nozzle with soothing spray [K-8022] or a 22-nozzle with stimulating spray [K-8023]
- Fully adjustable, pivoting MasterClean™ sprayface

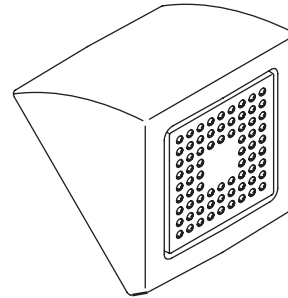
**SHOWERHEAD
K-8022
ALSO K-8023**

Codes/Standards Applicable

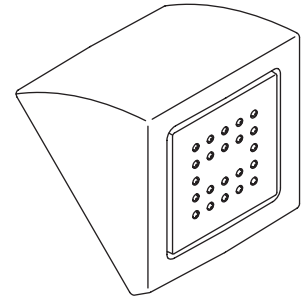
Specified model meets or exceeds the following:

- ASME A112.18.1/CSA B125.1
- IAPMO/cUPC
- Energy Policy Act of 1992

K-8022



K-8023



Colors/Finishes

- CP: Polished Chrome
- Other: Refer to Price Book for additional colors/finishes

Specified Model

Model	Description	Colors/Finishes	
K-8022	54-nozzle showerhead with soothing spray	<input type="checkbox"/> CP	<input type="checkbox"/> Other_____
K-8023	22-nozzle showerhead with stimulating spray	<input type="checkbox"/> CP	<input type="checkbox"/> Other_____

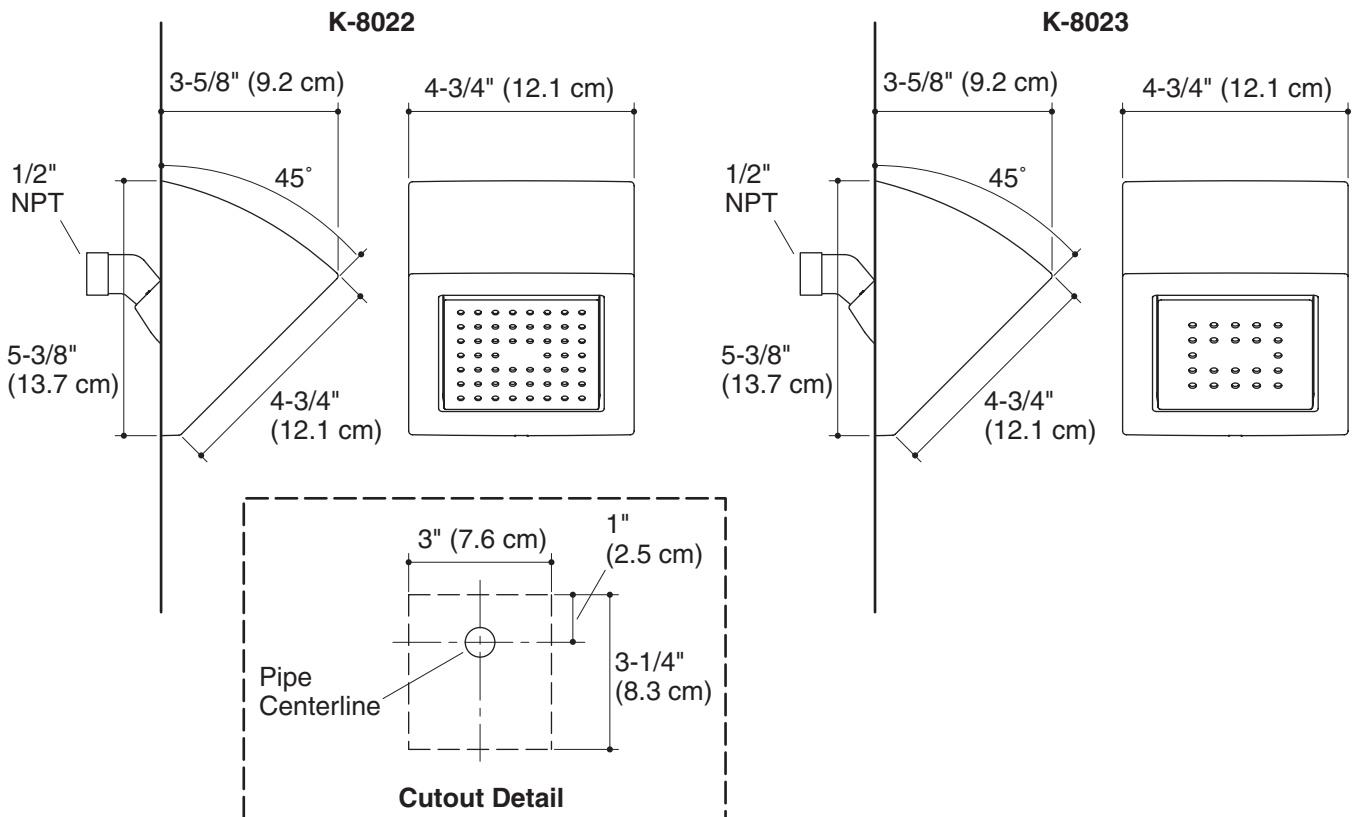
Product Specification

Showerhead shall be for 1/2" NPT connections. Showerhead shall be for a vertical wall installation. Product shall have a flow rate of 2.5 gallons (9.5 L) per minute maximum at 80 psi (552 kPa). Product shall be available as a 54-nozzle with soothing spray [K-8022] or a 22-nozzle with stimulating spray [K-8023]. Product shall feature a fully adjustable, pivoting MasterClean sprayface which resists mineral buildup for years of reliable performance. Showerhead shall be Kohler Model K-____-____.

WATERTILE®

Installation Notes

Install this product according to the installation guide.



Product Diagram