

PRODUCT SPECIFICATIONS

OVERALL ASSEMBLED DIMENSIONS

HEIGHT: 15.2 CM (6"), SQ: 25.4 CM (10").

- 2 LIGHTS:** UL LISTED. 13 WATT. GU24 PLASTIC SOCKET. (2) 13 WATT G24Q-1 BULBS ARE INCLUDED. PHOTOSENSOR INCLUDED.

- SUPPLY WIRE:** UL LISTED. 18 AWG, 105", MUST EXTEND A MINIMUM OF 15.2 CM (6") PAST CENTER OF CEILING PAN. BLACK/WHITE COLOR. WIRES MUST BE LEAD FREE.

- CEILING PAN:** PAINTED ALUMINUM, 25.4 CM (10") SQ. x 3.8 CM (1-1/2") HEIGHT. SHAPED AS SHOWN.

- FONT:** PAINTED ALUMINUM, 3.2 CM (1-1/4") SQ. x 0.5 CM (1/8") HEIGHT. SHAPED AS SHOWN.

- GLASS SHADE:** AMBER MARBLEIZED GLASS SHADE FOR ORB FINISH, WHITE MARBLEIZED GLASS SHADE FOR APW FINISH, 20.3 CM (8") SQ. x 10.2 CM (4") HEIGHT. A METAL RING STICKED ON GLASS SHADE. SHAPED AS SHOWN.

- LABELS:** UL AND CSA OR CUL, MANUFACTURING DATE, MODEL # AND COUNTRY OF ORIGIN LABELS PROVIDED IN CEILING PAN. RELAMPING LABEL FOR 13 WATT MAX. TYPE "G24Q-1" BULB PROVIDED ON SOCKET.

PACKAGING AND SHIPPING DETAILS

- THE FIXTURE IS DISASSEMBLED FOR SHIPPING AS SHOWN. GLASS SHADE IS PACKED IN A SEPARATE BOX. EACH PART IS WRAPPED IN A PLASTIC BAG WITH A SMALL BAG OF SILICA AND PACKED IN ITS OWN CARDBOARD CARTON.

- HARDWARE PACK #002 IS PROVIDED. ALL PARTS SHOULD BE SECURED SO THEY CAN NOT MOVE DURING SHIPPING.

- THE CARTON IS MADE OF DOUBLE WALL, CORRUGATED CARDBOARD "A MA A". BROWN IN COLOR. THE INNER PACKING IS DIE-CUT CARDBOARD OR STYROFOAM TO PROTECT AND SECURE THE LAMP AND MUST PASS THE SPECIFIED DROP TEST REQUIREMENTS.

- EACH CARTON SHALL BE PRINTED WITH A LINE DRAWING AND THE KENROY HOME NAME AND LOGO, ENERGY STAR LOGO, MODEL NUMBER, SKU NUMBER AND FINISH, EACH CARTON SHALL BE PROVIDED A UPC LABEL. THE UPC BAR CODE AS FOLLOWS: ORB=053392071844.

OTHER DETAILS

- ALL METAL PARTS MUST MATCH FINISH UNLESS OTHERWISE SPECIFIED.

- MODEL 70215 INSTALLATION INSTRUCTIONS ARE TO BE PACKED WITH FIXTURE, AND BE PRINTED CLEARLY ON QUALITY PAPER.

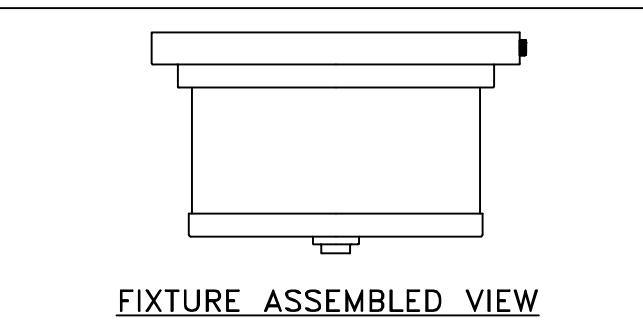
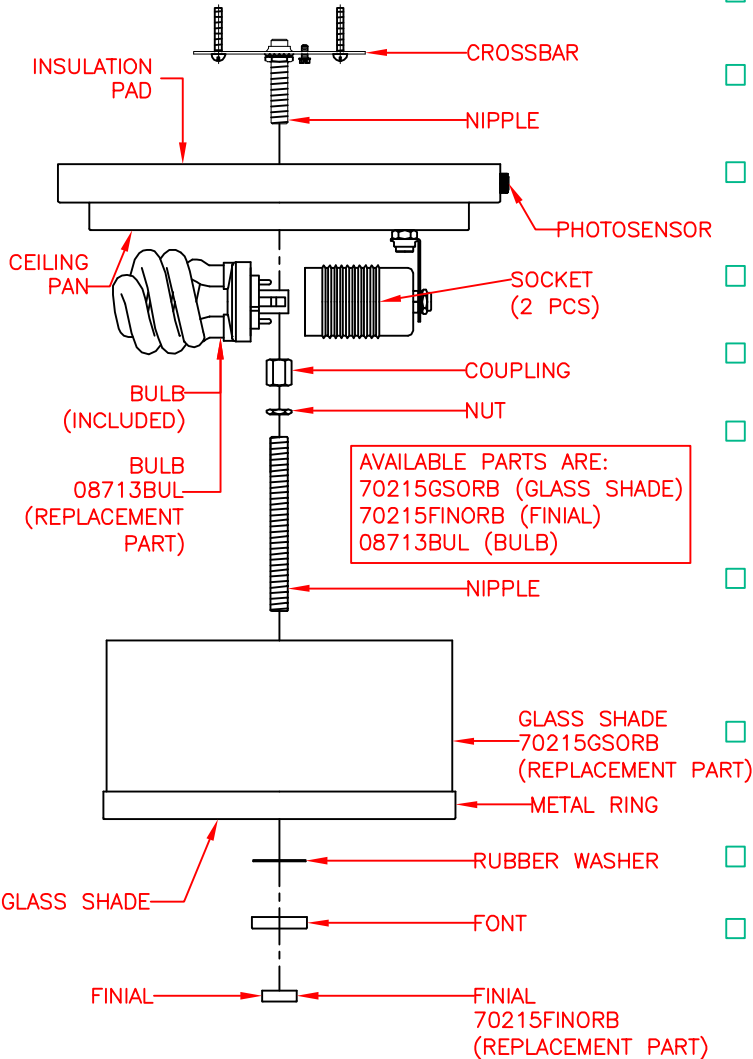
- ALL BAGS MUST BE LABELED WITH OFFICIAL "THIS BAG IS NOT A TOY" STATEMENT.

- ASSEMBLY TIME: 2 MINUTES.

- DIMS OF BOX: 32 CM (12-5/8") LENGTH x 29 CM (11-7/16") WIDTH x 34 CM (13-3/8") HEIGHT.

- NET WEIGHT: 7.04 LBS. GROSS WEIGHT: 8.6 LBS.

- THE UL NUMBER IS E159469.



KENROY HOME
11660 CENTRAL PARKWAY
JACKSONVILLE, FL. 32224
PHONE: 904-642-4340
FAX: 904-642-4150

THIS DOCUMENT AND THE INFORMATION THAT IT DISCLOSES IS THE EXCLUSIVE PROPERTY OF KENROY HOME. ANY REPRODUCTION OR USE OF THIS DRAWING IN PART OR IN WHOLE, WITHOUT THE EXPRESS CONSENT OF THE PROPRIETOR IS PROHIBITED. © 2007 KENROY HOME.

DATE: 6/20/2007 SCALE: NONE DRAWN BY: JAMES

REFERENCE: PLATEAU 2LT. FLUSH MOUNT

REVISION DATE: 11/21/07 add sensor

REVISION DATE: 5/15/08 add parts NO.

REVISION DATE:

APPROVAL:

MODEL #:

70215

FINISH:

ORB

PAGE: 1 OF 1