

6810 CABINET LOCK



2.7x13
3.1x22
W/SCREW

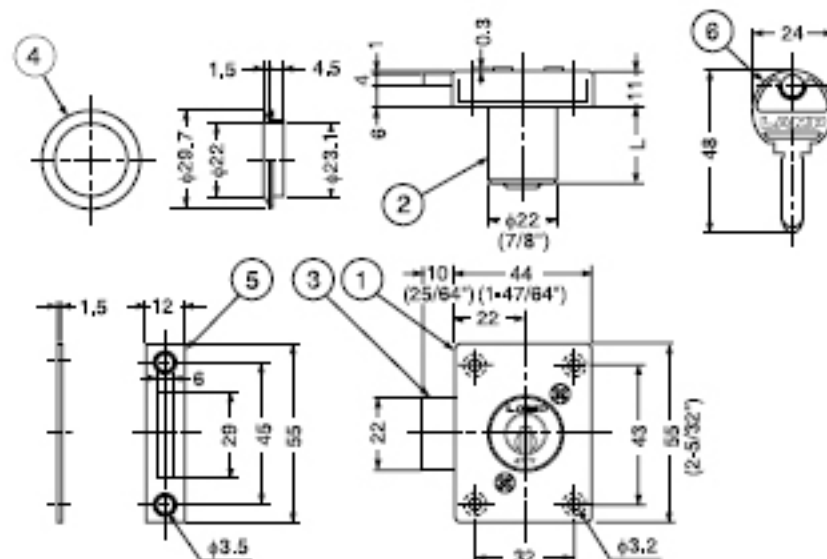
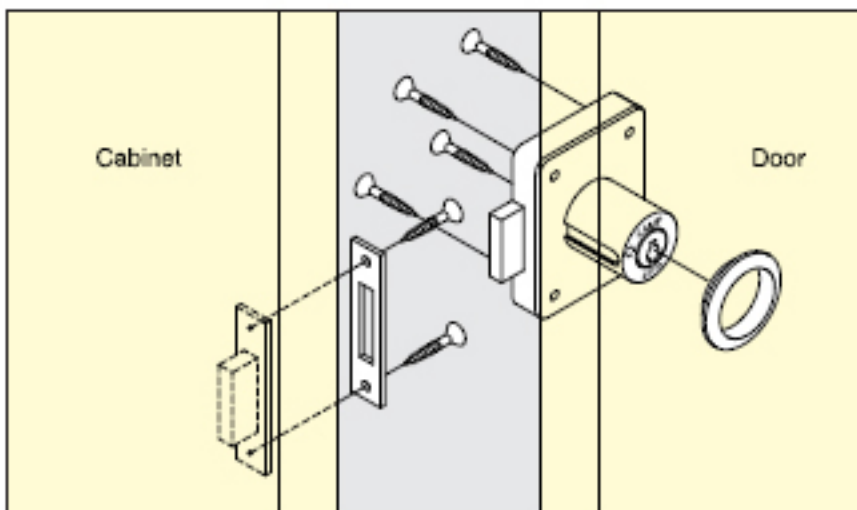
Reversible key lock, surface mounting type, with 3 hi-tech keys, one million key changes available.

22mm (7/8") diameter cylinder with satin nickel finish to match 304 stainless steel case.

High security key.

2mm (5/64") plastic distance plate adjusts cylinder length to various material thickness. Available at surcharge.

Master (max. key changes: 2,520 in one group) and grand master keys available at surcharge.



Item No.	L	Frame Thickness	Weight (g)	Box (pcs)	Carton (pcs)
6810-24	24 (15/16")	22-24 (7/8"-15/16")	190	12	60
6810-30	30 (1-3/16")	28-30 (1-3/32"-1-3/16")	210	12	60
6810-36	36 (1-27/64")	34-36 (1-11/32"-1-27/64")	225	12	60

No.	Part Name	Material	Finish
①	Body	304 Stainless Steel	Satin
②	Cylinder	Brass	Satin Nickel (DN)
③	Dead Bolt	304 Stainless Steel	-
④	Ring	Brass	Satin Nickel (DN)
⑤	Counterplate	304 Stainless Steel	Satin
⑥	Key	Brass	Nickel