

**Features**

- Metal construction
- Two quarter-turn washerless ceramic disc valves
- Flexible connections for easy installation
- For 8" (20.3 cm) centers
- 360° spout rotation
- 14-1/16" (35.7 cm) swing spout reach
- ADA compliant extended lever handles
- Lower flow aerator options available (refer to the Kohler Price Book)
- 2.2 gallons (8.3 L) per minute maximum flow rate

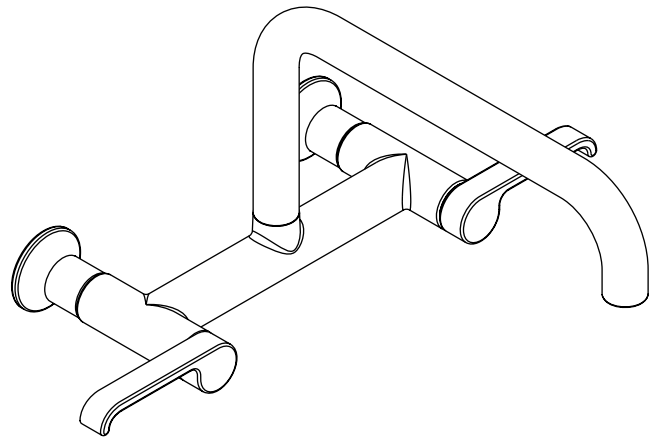
**WALL-MOUNT BRIDGE KITCHEN  
SINK FAUCET  
K-6127**

**ADA**

**Codes/Standards Applicable**

Specified model meets or exceeds the following at date of manufacture:

- ADA
- ASME A112.18.1/CSA B125.1
- ICC/ANSI A117.1
- Energy Policy Act of 1992
- NSF 61
- All applicable US Federal and State material regulations



**Colors/Finishes**

- CP: Polished Chrome
- Other: Refer to Price Book for additional colors/finishes

**Specified Model**

Model	Description	Colors/Finishes	
K-6127-4	Wall-mount bridge kitchen sink faucet	<input type="checkbox"/> CP	<input type="checkbox"/> Other _____

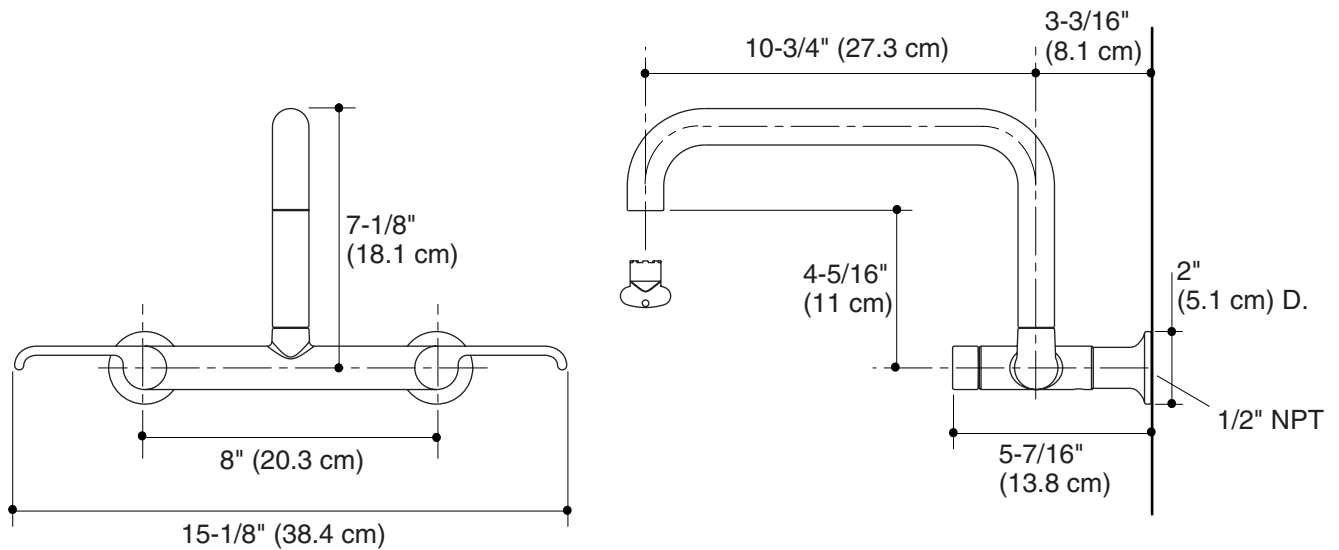
**Product Specification**

The two-handle wall-mount bridge kitchen sink faucet shall be constructed of metal. Product shall have a maximum flow rate of 2.2 gallons (8.3 L) per minute with lower flow aerator options available (refer to the Kohler Price Book). Product shall feature two quarter-turn washerless ceramic disc valves, an 14-1/16" (35.7 cm) swing spout reach, 360° spout rotation, flexible connections for easy installation, and ADA compliant extended lever handles. Faucet shall be for 8" (20.3 cm) centers. Faucet shall be Kohler Model K-6127-4-\_\_\_\_\_.

**TORQ™**

## Installation Notes

Install this product according to the installation guide.



## Product Diagram