

CATALOG NUMBER:

TYPE:

PROJECT:

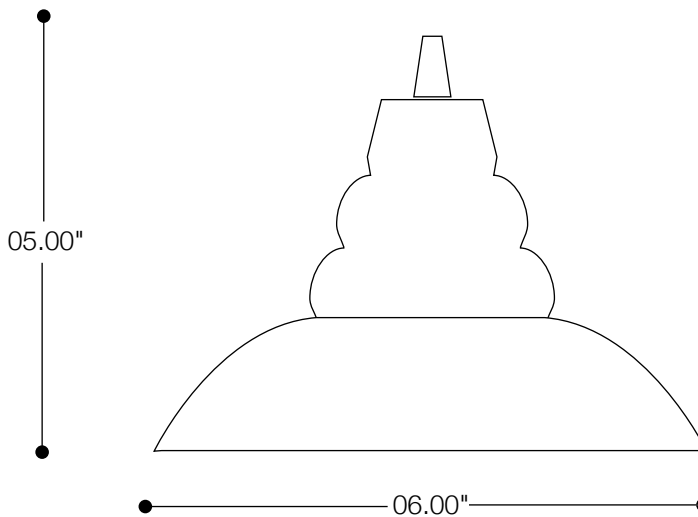


## VEGAS II 5139 Series Suspended Aluminum Shade Pendant

### SYSTEM COMPATIBILITY

Prima FIT System	Prima Monorail System	Prima Cable System	Prima Monopoints & Multipoints

- Single lamp suspended fixture with aluminum shade.
- Solid brass hardware with powder coat or metal plated finish.
- Suitable for decorative ambient and down-light applications.
- May be suspended by pendant cable only.
- Uses one 12 volt MR16 halogen 50W lamp. Lamp is included. Use of lamps with a higher wattage or different type will void the warranty.



All Fixtures and lighting systems must be used with Prima transformer, driver, and/or ballast; or all warranties are void and complimentary lamps will not be supplied.



ITEM #	SYSTEM	GLASS	HARDWARE	LAMP	SUSPENSION
□ 5139-AL	□ 22-00 FIT System Adapter □ 27 H Type Track Adapter □ 28 J Type Track Adapter □ 40-00 Monorail Adapter □ 41-10 Cable Adapter (19" Wide) □ 41-12 Cable Adapter (6" Wide) □ 41-13 Cable Adapter (2.75" Wide) □ 641 - 643 Monopoint Direct-mount □ 65 - 69 Monopoint Canopy □ 963 Monopoint Canopy □ 71 - 74 Multipoint Canopy □ 973 - 975 Multipoint Canopy □ 982 - 983 Linear Multipoint Canopy □ Custom	□ Opal Glass w/ Aluminum Shade	□ Black □ Bronze □ Polished Chrome □ Silver	□ 50 Watt Halogen MR16 12V Included □ 37 Watt Halogen MR16 12V □ 35 Watt Halogen MR16 12V □ 20 Watt Halogen MR16 12V	□ 72" black cable * □ 72" silver cable *

\* Includes standard 72" suspension cable.

PRIMA LIGHTING CORP. 13615 Marquardt Ave. Santa Fe Springs, CA 90670 p: 562-407-3079 TOLL FREE: 866-885-4915 f: 562-407-3069  
 www.primalighting.com ©2008 Prima Lighting Corp. All rights Reserved Specifications are subject to change without notice.