

PRODUCT SPECIFICATIONS

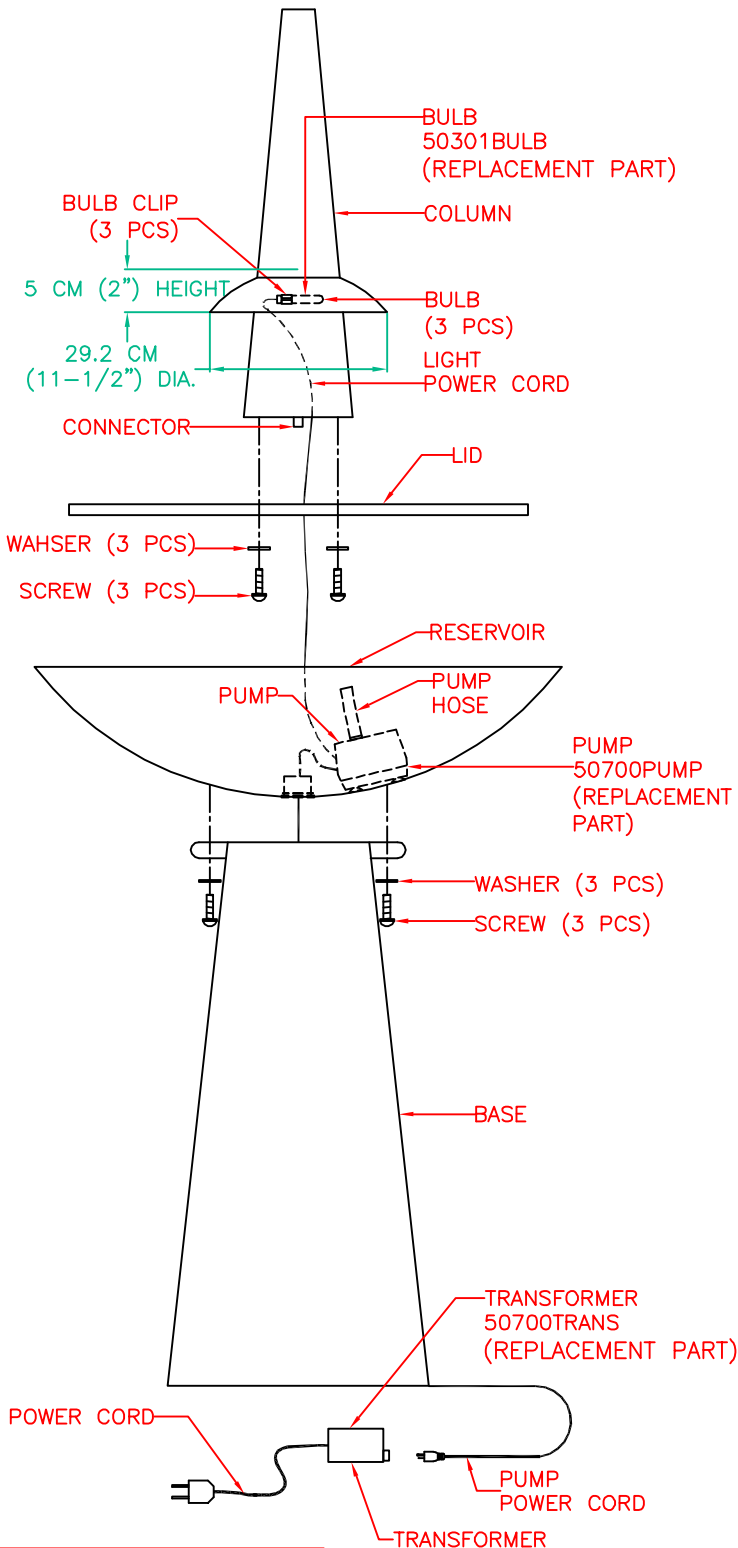
- OVERALL ASSEMBLED DIMENSIONS**
HEIGHT: 124 CM (49"), DIA: 62.2 CM (24-1/2").
- PUMP:** UL APPROVED FOR WET LOCATION. SUBMERSIBLE FOUNTAIN PUMP. INPUT: 12 V.
- 3 LIGHTS:** UL LISTED. 12 V. 5 WATT, JC SUBMERSIBLE HALOGEN BULB. (6) BULBS INCLUDED.
- TRANSFORMER:** UL APPROVED FOR WET LOCATION, CLASS 2 TRANSFORMER, 120 VOLTS, OUTPUT: 12 V.
- COLUMN:** PAINTED RESIN, TRIANGLE, 3.8 CM (1-1/2") WIDTH (TOP) x 12.7 CM (5") WIDTH (BOTTOM) x 47.6 CM (18-3/4") HEIGHT. SHAPED AS SHOWN.
- LID:** PAINTED RESIN, 50.2 CM (19-3/4") DIA. x 13 MM (1/2") THICK, SHAPED AS SHOWN.
- RESERVOIR:** PAINTED RESIN. 62.2 CM (24-1/2") DIA. x 15.2 CM (6") HEIGHT. SHAPED AS SHOWN.
- BASE:** PAINTED RESIN, TRIANGLE, 16.5 CM (6-1/2") WIDTH (TOP) x 30.5 CM (12") WIDTH (BOTTOM) x 63.5 CM (25") HEIGHT. SHAPED AS SHOWN.
- LABELS:** MANUFACTURING DATE, MODEL # AND COUNTRY OF ORIGIN LABEL PROVIDED.

PACKAGING AND SHIPPING DETAILS

- THE FOUNTAIN IS DISASSEMBLED FOR SHIPPING. THE COMPONENT PARTS ARE CAREFULLY WRAPPED AND PLACED IN THE INNER PACKING SO THAT THEY CAN NOT MOVE DURING SHIPPING. A SMALL BAG OF SILICA IS INCLUDED IN THE PACKAGE.
- THE CARTON IS MADE OF DOUBLE WALL CORRUGATED CARDBOARD "A MA A". BROWN IN COLOR. THE INNER PACKING IS DIE-CUT CARDBOARD AND/OR STYROFOAM SUFFICIENT TO PROTECT AND SECURE THE FOUNTAIN AND MUST PASS THE DROP TEST REQUIREMENTS.
- EACH CARTON SHALL BE PRINTED WITH A LINE DRAWING AND THE KENROY HOME NAME AND LOGO, MODEL NUMBER, SKU NUMBER AND FINISH, EACH CARTON SHALL BE PROVIDED A UPC LABEL. THE UPC BAR CODE AS FOLLOWS: 053392002664.

OTHER DETAILS

- MODEL 50700 INSTRUCTIONS ARE TO BE PACKED WITH EACH FOUNTAIN. INSTRUCTIONS MUST BE PRINTED CLEARLY ON QUALITY PAPER.
- ALL VISIBLE RESIN PARTS MUST MATCH FOUNTAIN FINISH UNLESS OTHERWISE SPECIFIED.
- ALL BAGS MUST BE LABELED WITH OFFICIAL "THIS BAG IS NOT A TOY" STATEMENT.
- ASSEMBLY TIME: 10 MINUTES.
- DIMS OF BOX: 69 CM (27-1/8") LENGTH x 50.8 CM (20") WIDTH x 74.5 CM (29-1/4") HEIGHT.
- NTE WEIGHT: 46.9 LBS.
- GROSS WEIGHT: 54.3



AVAILABLE PARTS ARE:
50700TRANS (TRANSFORMER)
50700PUMP (PUMP)
50301BULB (BULB)

**KENROY
HOME**

11660 CENTRAL PARKWAY
JACKSONVILLE, FL. 32224
PHONE: 904-642-4340
FAX: 904-642-4150

THIS DOCUMENT AND THE INFORMATION THAT IT DISCLOSES IS THE EXCLUSIVE PROPERTY OF KENROY HOME. ANY REPRODUCTION OR USE OF THIS DRAWING IN PART OR IN WHOLE, WITHOUT THE EXPRESS CONSENT OF THE PROPRIETOR IS PROHIBITED. © 2004 KENROY HOME.

DATE: 1/20/2005

SCALE: NONE

DRAWN BY: JAMES

REFERENCE:
EQUINOX FLOOR FOUNTAIN

APPROVAL:

REVISION DATE:
add warning 10/14/05

REVISION DATE:
5/28/08 add parts NO.

REVISION DATE:

REVISION DATE:

MODEL #:

50700

FINISHES:

BRZ

PAGE: 1 OF 1