

## PRODUCT SPECIFICATIONS

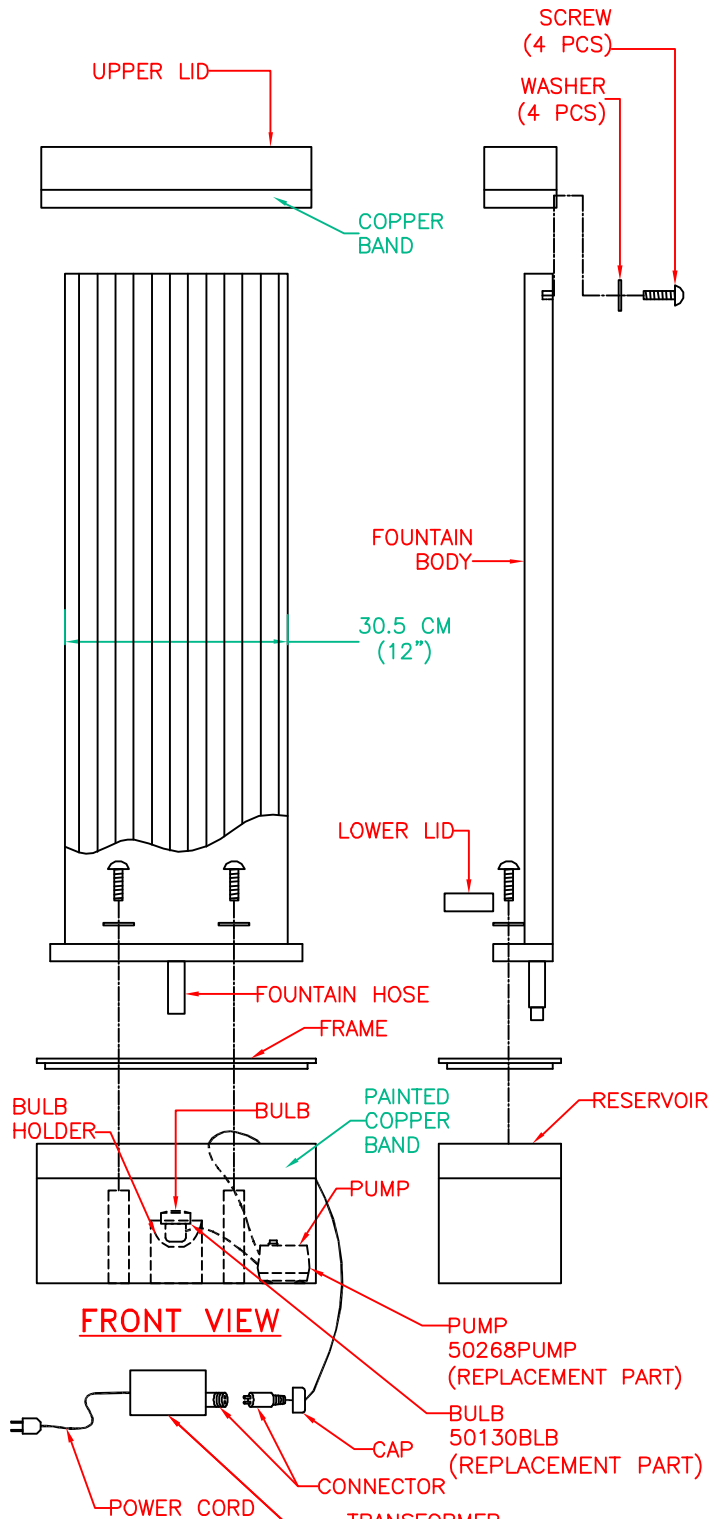
- OVERALL ASSEMBLED DIMENSIONS**  
HEIGHT: 122 CM (48"), WIDTH: 40.6 CM (16"),  
EXTENSION: 20.3 CM (8").
- PUMP:** UL APPROVED FOR WET LOCATION. 12 V, 22 WATT,  
MODEL: JP-388L SUBMERSIBLE FOUNTAIN PUMP.
- TRANSFORMER:** UL APPROVED FOR WET LOCATION. MODEL:  
57C.YL-25-12V, INPUT: 120 V, OUTPUT: 12 V.
- 1 LIGHT:** UL APPROVED FOR WET LOCATION. 12 V. 10 WATT,  
(2) MR-11 BULBS INCLUDED.
- UPPER LID:** SLATE, WIDTH: 34.2 CM (13-1/2"), EXTENSION:  
12.7 CM (5"), HEIGHT: 8.3 CM (3-1/4"). COPPER ACCENT ON  
LID, SHAPED AS SHOWN.
- FOUNTAIN BODY:** SLATE, WIDTH: 36.8 CM (14-1/2"),  
EXTENSION: 10.2 CM (4"), HEIGHT: 101.6 CM (40"), SHAPED  
AS SHOWN.
- RESERVOIR:** PLASTIC, WIDTH: 40.6 CM (16"), EXTENSION: 20.3  
CM (8"), HEIGHT: 20.3 CM (8"). PAINTED COPPER ACCENT ON  
RESERVOIR.
- LABELS:** MANUFACTURING DATE, MODEL # AND COUNTRY OF  
ORIGIN LABEL PROVIDED.

## PACKAGING AND SHIPPING DETAILS

- THE FOUNTAIN AND PUMP ARE CAREFULLY WRAPPED  
IN A PLASTIC BAG AND PLACED SECURELY IN THE  
INNER PACKING SO THEY CAN NOT MOVE DURING  
SHIPPING.
- THE CARTON IS MADE OF DOUBLE WALL CORRUGATED  
CARDBOARD "A MA A". BROWN IN COLOR. THE INNER  
PACKING IS DIE-CUT CARDBOARD AND/OR STYROFOAM  
SUFFICIENT TO PROTECT AND SECURE THE FOUNTAIN  
AND MUST PASS THE DROP TEST REQUIREMENTS.
- EACH CARTON SHALL BE PRINTED WITH A LINE  
DRAWING AND THE KENROY HOME NAME AND LOGO,  
MODEL NUMBER, SKU NUMBER AND FINISH, EACH  
CARTON SHALL BE PROVIDED A UPC LABEL. THE UPC  
BAR CODE AS FOLLOWS:  
SLCOP=053392021754.

## OTHER DETAILS

- MODEL 50294 INSTRUCTIONS ARE TO BE PACKED WITH  
EACH FOUNTAIN. INSTRUCTIONS MUST BE PRINTED  
CLEARLY ON QUALITY PAPER.
- ALL VISIBLE PARTS MUST MATCH FOUNTAIN FINISH  
UNLESS OTHERWISE SPECIFIED.
- ALL BAGS MUST BE LABELED WITH OFFICIAL "THIS BAG  
IS NOT A TOY" STATEMENT.
- ASSEMBLY TIME: 15 MINUTES.
- DIMS OF BOX: 111.5 CM (43-7/8") LENGTH x 36.5  
CM (14-3/8") WIDTH x 44.2 CM (17-3/8") HEIGHT.
- NET WEIGHT: 48.8 LBS.
- GROSS WEIGHT: 56.5 LBS.



AVAILABLE PARTS ARE:  
50268TRANS (TRANSFORMER)  
50268PUMP (PUMP)  
50130BLB (BULB)

**KENROY  
HOME**

11660 CENTRAL PARKWAY  
JACKSONVILLE, FL. 32224  
PHONE: 904-642-4340  
FAX: 904-642-4150

THIS DOCUMENT AND THE INFORMATION THAT IT DISCLOSES IS THE EXCLUSIVE  
PROPERTY OF KENROY HOME. ANY REPRODUCTION OR USE OF THIS  
DRAWING IN PART OR IN WHOLE, WITHOUT THE EXPRESS CONSENT OF THE  
PROPRIETOR IS PROHIBITED. © 2004 KENROY HOME.

DATE: 8/2/2004

SCALE: NONE

DRAWN BY: JAMES

REFERENCE:  
TACORA VERTICAL FLOOR FOUNTAIN

APPROVAL:

REVISION DATE:  
9/6/2005 JAMES

REVISION DATE:  
10/20/05 add warning

REVISION DATE:  
5/28/08 add parts NO.

REVISION DATE:

MODEL #:

50294

FINISHES: SLCOP

PAGE: 1 OF 1