

**DESCRIPTION**

Metal baffle trim for use with the H5 series housings. Dual position socket support for R or PAR lamps.

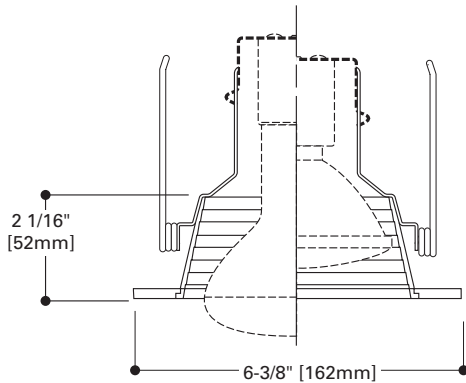
<b>Catalog #</b>		<b>Type</b>
<b>Project</b>		
<b>Comments</b>		<b>Date</b>
<b>Prepared by</b>		

**DESIGN FEATURES**

Torsion springs pull trim tight to ceiling.  
Straight sided trim ring coordinates with die cast Halo 3" and 4" trims.

**LAMP LISTINGS**

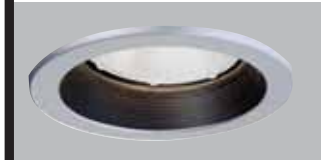
<b>H5ICAT</b>	60W BR30, 50W PAR30
<b>H5RICAT</b>	60W BR30, 50W PAR30, 50W PAAR30L
<b>H5T H5RT</b>	65W BR30, 75W R30, 75W PAR30



**5010**  
White with Black Baffle



**5010W**  
White with White Baffle



**5010SL**  
Silver with Black Baffle

**5010**  
5" Metal Baffle

H5T-5010 75W PAR30FL 1100 Lumens			H5T-5010 75W R30FL 900 Lumens		
Dia	FC	Work Plane	FC	Dia	
3'0"	73	5'6"	13	6'0"	
4'0"	52	6'6"	10	7'0"	
5'0"	34	8'0"	6	8'0"	
6'0"	22	10'0"	4	10'0"	
7'0"	15	12'0"	3	12'0"	

Test No. H36045  
Work Plane is 2 1/2 ft above floor  
Dia of circle is 50% of max footcandles directly under fixture

**Trim**



**5010=5" Metal Baffle Trim**

**Finish**



**Blank=White Trim Ring with Black Baffle**  
**W=White Trim Ring with White Baffle**  
**SL=Silver Trim Ring with Black Baffle**

**Accessory**



**OT500P=5" Oversize Trim Ring - White**

Note: Specifications and Dimensions subject to change without notice.

Visit our web site at [www.cooperlighting.com](http://www.cooperlighting.com)