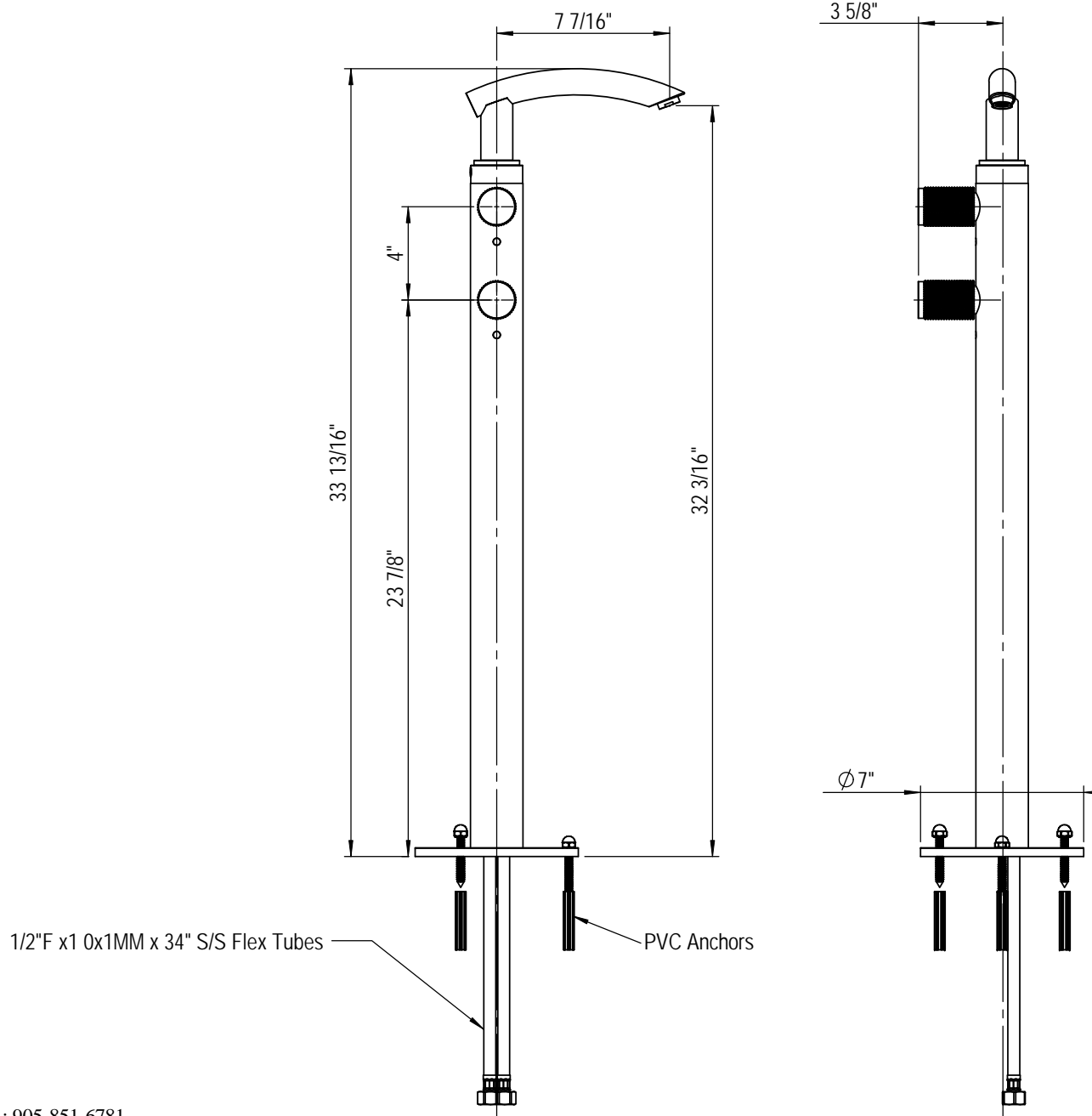


Floor Mount Tub Filler 3FRBHOR

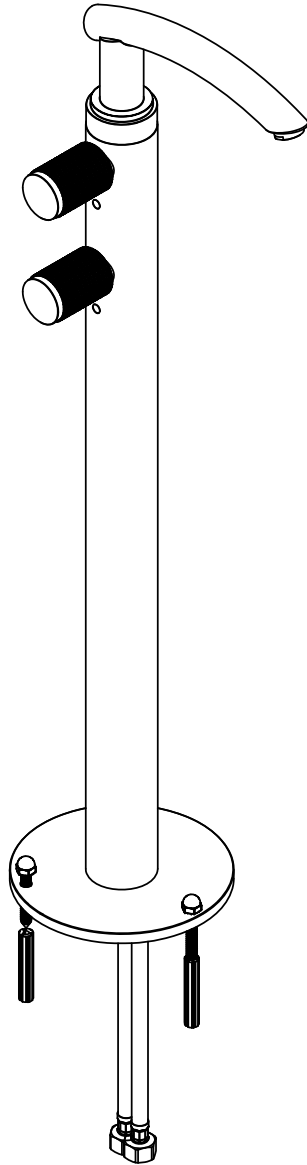


TEL: 905-851-6781
FAX: 905-851-8031
TOLL FREE: 800-461-5901

THE **Rubinet** FAUCET COMPANY

www.rubinet.com

Floor Mount Tub Filler 3FRBHOR



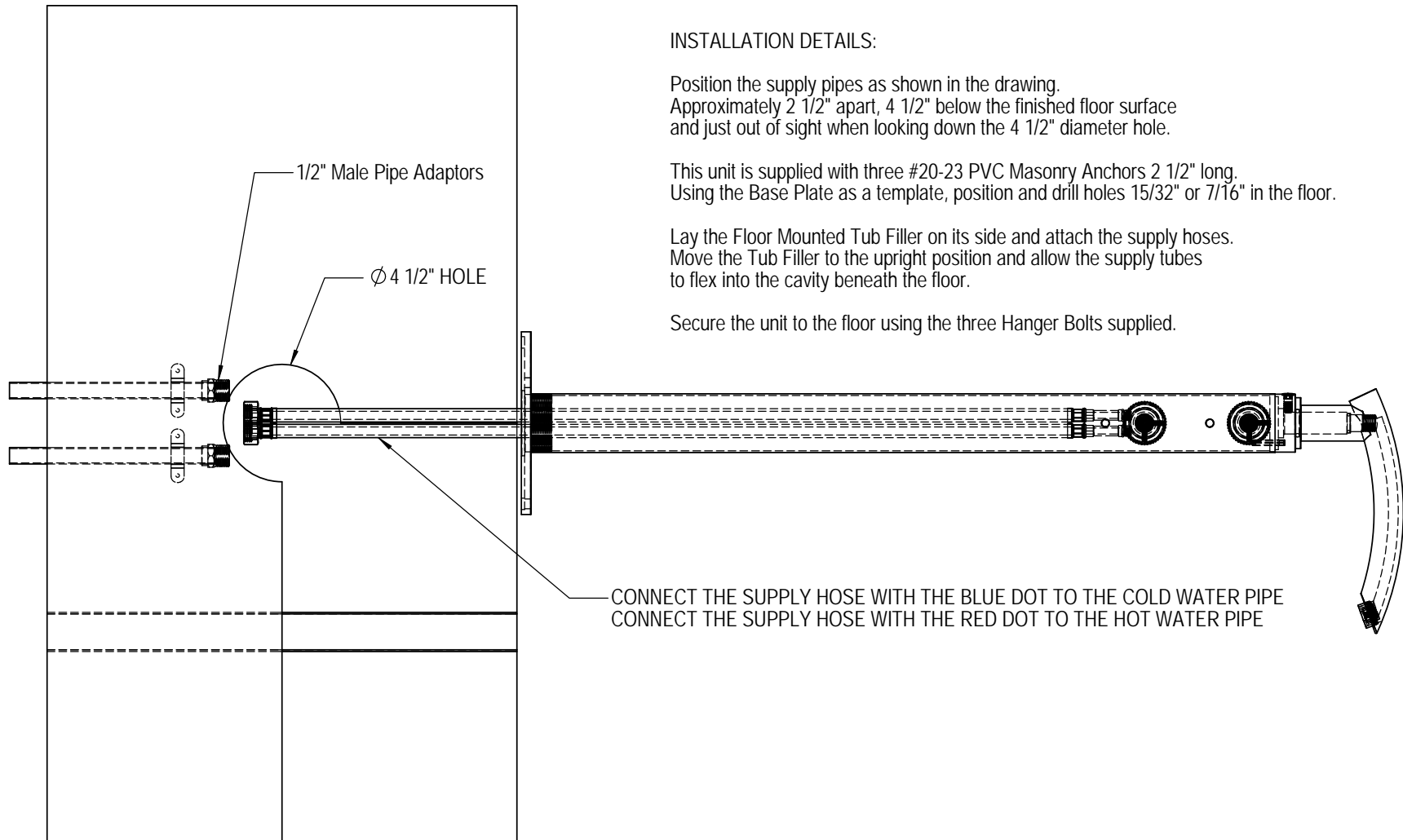
ITEM	QTY.	PartNo	DESCRIPTION
1	1	9Y0HOPD1A	Pedestal Body Complete
	1	9Y0HOPD1B	Pedestal Body Sleeve
	1	9X0HOPD1C	Pedestal Base Inner Sleeve - HO
	1	9Y0HOPD1C	Pedestal Base Plate - HO
2	1	9XVLBPD1B	Valve Body Pedestal Tub
3	2	9XVLCSW1B	Cartridge Ceramic (16) Hot
4	2	9Y0HOFA1B	Flange - HO
5	2	9XFLT SR07	1/2"Fx10x1Mx34" Flex Tube
6	2	9XORN0029	O-RING MB 3 - 6.5 MM
7	1	9Y0HOSR1A	Spout RT Complete - HO
	1	9Y0HOSR1C	Spout RT Base - HO
	1	9Y0HOSR1B	Spout RT - HO
	1	9X0HOSW1B	Spout Connector - HO
	1	9XORN0031	O-RING MB 2.62 - 13.94 MM
	1	9XORN0002	O-RING MB 3.5 - 20 MM
	1	9XSCRSR01	Set Screw M8 x 1.25 x 10 MM
	1	9Y0ETHA1E	Handle Index Cap - ET
8	1	9YAERSR3A	Aerator Tub - HX
	1	9YAERSW3B	Aerator Shell STD.
	1	9XAERSR1C	Aerator Tub Insert
	1	9XAERSW1D	Washer 16 x 21.2 x 3 MM
9	2	9XVLCBX01	Broach Extension 9.5x16 - 9.5x16
10	2	9XSCRHA14	Screw Handle M4 X 0.7 X 20 MM
11	3	9Y0HOPD1E	Tiewdown Bolt & Cap Nut
	1	9X0HOPD1F	Hanger Bolt 5/16-18x2.5
	1	9Y0HOPD1F	Acorn Nut 5/16"-18
12	1	9Y0SCHA1D	Handle Button Blue LG SC
13	1	9Y0SCHA1E	Handle Button Red LG SC
14	3	9X0HOPD1G	PVC Anchor (Floor Mount) - HO
15	3	9X0HOPD1H	Washer (TEFLON) 8 X 12.5 X 1.25 MM
16	2	9Y0HOHA2A 9Y0HOHA2A	Handle Round Complete - HO
	1	9X0HOHA2B	Handle Mount - HO
	2	9XSCRHA01	Set Screw 8-32 UNC x 1/8"
	1	9Y0HOHA2C	Handle Sleeve - HO
	1	9Y0HOHA2D	Handle Cap - HO

TEL: 905-851-6781
 FAX: 905-851-8031
 TOLL FREE: 800-461-5901

THE **Rubinet** FAUCET COMPANY

www.rubinet.com

Floor Mount Tub Filler 3FRBHOR



INSTALLATION DETAILS:

Position the supply pipes as shown in the drawing.
Approximately 2 1/2" apart, 4 1/2" below the finished floor surface
and just out of sight when looking down the 4 1/2" diameter hole.

This unit is supplied with three #20-23 PVC Masonry Anchors 2 1/2" long.
Using the Base Plate as a template, position and drill holes 15/32" or 7/16" in the floor.

Lay the Floor Mounted Tub Filler on its side and attach the supply hoses.
Move the Tub Filler to the upright position and allow the supply tubes
to flex into the cavity beneath the floor.

Secure the unit to the floor using the three Hanger Bolts supplied.