

## PRODUCT SPECIFICATIONS

### OVERALL ASSEMBLED DIMENSIONS

HEIGHT: 39.4 CM (15-1/2"), WIDTH: 33.7 CM (13-1/4"),

**1 LIGHT:** UL LISTED, 60 WATT, MEDIUM BASE E-27 ALUMINUM SOCKET. ON/OFF PULL CHAIN SWITCH. THE FRAME, SOCKET AND PULL CHAIN ARE BS FINISH.

**GLASS SHADE:** WHITE OPAL GLASS SHADE, 22.2 CM (8-3/4") LENGTH x 13.5 CM (5-1/4") WIDTH x 7.7 CM (3") HEIGHT. SHAPED AS SHOWN.

**FRAME:** PLATED METAL, 0.9 CM (3/8") DIA. TUBING, 33.7 CM (13-1/4") LENGTH x 11.8 CM (4-5/8") WIDTH x 7.8 CM (3-1/8") HEIGHT.

**POLE:** PAINTED RESIN WITH METAL ACCENT, 4.5 CM (1-3/4") SQ. x 24.8 CM (9-3/4") HEIGHT. SHAPED AS SHOWN.

**BASE:** PAINTED RESIN, 13.7 CM (5-3/8") SQ. x 3.2 CM (1-1/4") HEIGHT. FELT PAD INSTALLED ON BOTTOM OF BASE.

**CORD:** UL LISTED, MIN 183 CM (6 FT.) LENGTH, 18 AWG., 2 CONDUCTORS, 105°C, TYPE SPT-2, SILVER/CLEAR COLOR. WIRES MUST BE LEAD FREE.

**LABELS:** UL AND CSA OR CUL, MANUFACTURING DATE, MODEL # AND COUNTRY OF ORIGIN LABEL PROVIDED. RELAMPING LABEL FOR 60 WATT MAX. TYPE "A" BULB PROVIDED ON SOCKET.

### PACKAGING AND SHIPPING DETAILS

THE LAMP IS ASSEMBLED FOR SHIPPING. THE LAMP IS CAREFULLY WRAPPED IN A PLASTIC BAG AND PLACED SECURELY IN THE INNER PACKING SO IT CAN NOT MOVE AROUND DURING SHIPPING. A SMALL BAG OF SILICA IS INCLUDED IN THE PACKAGE.

THE CARTON IS MADE OF DOUBLE WALL, CORRUGATED CARDBOARD "A MA A". BROWN IN COLOR. THE INNER PACKING IS DIE-CUT CARDBOARD OR STYROFOAM TO PROTECT AND SECURE THE LAMP AND MUST PASS THE SPECIFIED DROP TEST REQUIREMENTS.

EACH CARTON SHALL BE PRINTED WITH A LINE DRAWING AND THE KENROY HOME NAME AND LOGO, MODEL NUMBER, SKU NUMBER AND FINISH, EACH CARTON SHALL BE PROVIDED A UPC LABEL. THE UPC BAR CODE AS FOLLOWS: BL=053392099459.

### OTHER DETAILS

MODEL 20680BL INSTRUCTIONS ARE TO BE PACKED WITH EACH LAMP. INSTRUCTIONS MUST BE PRINTED CLEARLY ON QUALITY PAPER.

ALL VISIBLE PARTS, EXCEPT SHADE, MUST MATCH LAMP FINISH UNLESS OTHERWISE SPECIFIED.

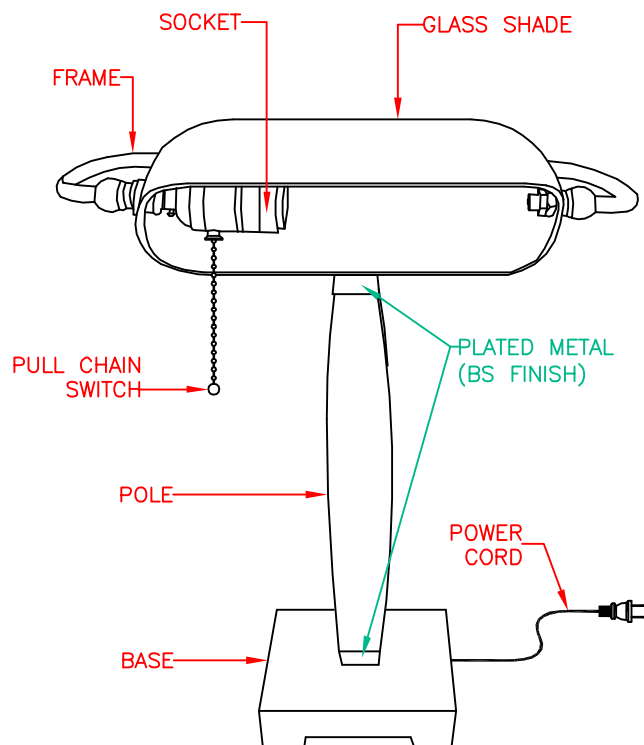
ALL BAGS MUST BE LABELED WITH OFFICIAL "THIS BAG IS NOT A TOY" STATEMENT.

LAMP MUST REST FLAT ON SURFACE AND NOT ROCK. LAMP MUST PASS AN 8° TILT TEST.

DIMS OF BOX: 39.4 CM (15-1/2") LENGTH x 29.2 CM (11-1/2") WIDTH x 41.9 CM (16-1/2") HEIGHT.

NET WEIGHT: 6.6 LBS. GROSS WEIGHT: 10.6 LBS.

THE UL NUMBER IS E229128.



**KENROY  
HOME**

11660 CENTRAL PARKWAY  
JACKSONVILLE, FL. 32224  
PHONE: 904-642-4340  
FAX: 904-642-4150

THIS DOCUMENT AND THE INFORMATION THAT IT DISCLOSES IS THE EXCLUSIVE PROPERTY OF KENROY HOME. ANY REPRODUCTION OR USE OF THIS DRAWING IN PART OR IN WHOLE, WITHOUT THE EXPRESS CONSENT OF THE PROPRIETOR IS PROHIBITED. © 2008 KENROY HOME.

DATE: 10/13/2008

SCALE: NONE

DRAWN BY: JAMES

REFERENCE: BLAINE BANKER LAMP

APPROVAL:

REVISION DATE:

MODEL #:

REVISION DATE:

20680

REVISION DATE:

FINISHES:

BL

REVISION DATE:

PAGE: 1 OF 1