

**TOWNSEND PEDESTAL SINK**

- Vitreous china
- Turn-of-the-century detailing on lavatory and pedestal
- Front overflow
- Supplied with mounting kit
- Faucet ledge with large deck area (faucet not included)

- 0555.801** Faucet holes on 203mm (8") centers (Illustrated)
- 0555.401** Faucet holes on 102mm (4") centers

**Nominal Dimensions:**

619 x 495 x 900mm  
(24-3/8" x 19-1/2" x 35-7/16")

- 0555.108** Lavatory slab-203mm (8") centers
- 0555.104** Lavatory slab-102mm (4") centers
- 734906-401** Pedestal only

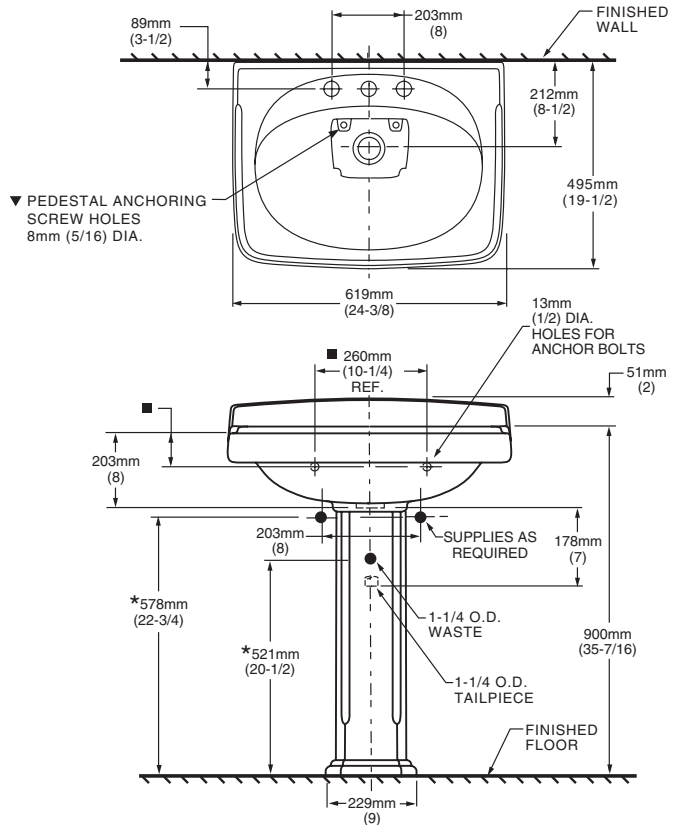
**Bowl sizes:**

489mm (19-1/4") wide,  
289mm (11-3/8") front to back,  
146mm (5-3/4") deep

**Compliance Certifications -**

**Meets or Exceeds the Following Specifications:**

- ASME A112.19.2M for Vitreous China Fixtures



**To Be Specified:**

- Color:
- Faucet\*:
- Faucet Finish:
- Supplies:
- 1-1/4" Trap:
- Nipple:

\* See faucet section for additional models available

**NOTES:**

\* DIMENSIONS SHOWN FOR LOCATION OF SUPPLIES AND "P" TRAPS ARE SUGGESTED.

▼ PEDESTAL ANCHORING SCREWS NOT INCLUDED.

■ SUITABLE FOR REINFORCEMENT ONLY. ACTUAL DIMENSIONS MUST BE TAKEN FROM FIXTURE.

FITTING NOT INCLUDED AND MUST BE ORDERED SEPARATELY. PROVIDE SUITABLE REINFORCEMENT FOR ALL WALL SUPPORTS. INSTALLATION INSTRUCTIONS SUPPLIED WITH LAVATORY.

**IMPORTANT:** Dimensions of fixtures are nominal and may vary within the range of tolerance established by ANSI Standard A112.19.2. These measurements are subject to change or cancellation. No responsibility is assumed for use of superseded or voided pages.