

Features

- Vitreous china
- 12" (30.5 cm) rough-in
- Class Five™ flushing system
- 2-1/8" (5.4 cm) glazed trapway
- 1.6 gpf (6 lpf) or 1.4 gpf (5.3 lpf)
- One-piece
- Includes seat and cover
- Less supply
- Elongated bowl
- ADA compliant when an open-front seat is installed
- 11" (27.9 cm) x 8-1/2" (21.6 cm) water area
- 28-1/4" (71.8 cm) x 18-1/2" (47 cm) x 28" (71.1 cm)

COMFORT HEIGHT™ COMPACT TOILET K-3513 ALSO K-3513-RA

ADA



Codes/Standards Applicable

Specified model meets or exceeds the following:

- ASME A112.19.2
- Energy Policy Act of 1992
- IAPMO/UPC
- ADA

Colors/Finishes

- 0: White
- Other: Refer to Price Book for additional colors/finishes

Accessories:

- CP: Polished Chrome
- PB: Vibrant® Polished Brass
- Other: Refer to Price Book for additional colors/finishes

Specified Model

Model	Description	Trip Lever	Colors/Finishes	
K-3513	Compact one-piece elongated bowl toilet	left-hand	<input type="checkbox"/> 0	<input type="checkbox"/> Other_____
K-3513-RA	Compact one-piece elongated bowl toilet	right-hand	<input type="checkbox"/> 0	<input type="checkbox"/> Other_____

Recommended Accessories				
K-7637	Angle supply with stop		<input type="checkbox"/> CP	<input type="checkbox"/> PB <input type="checkbox"/> Other_____
K-4650	Lustra™ open front toilet seat – for ADA compliant installation	<input type="checkbox"/> 0		<input type="checkbox"/> Other_____

Product Specification

The compact one-piece elongated bowl toilet shall be made of vitreous china. Toilet shall be 28-1/4" (71.8 cm) in length, 18-1/2" (47 cm) in width, and 28" (71.1 cm) in height. Toilet shall have an 11" (27.9 cm) x 8-1/2" (21.6 cm) water area. Toilet shall be 12" (30.5 cm) rough-in with a 2-1/8" (5.4 cm) glazed trapway. Toilet shall have a Class Five flushing system with a flush rate of 1.6 gpf (6 lpf) or 1.4 gpf (5.31 lpf). Toilet shall be ADA compliant when an open-front seat is installed. Toilet shall include seat and cover. Toilet shall be less supply. Toilet shall be Kohler Model K-3513-_____.

GABRIELLE™

Optional Accessories

K-9483-L	Left-hand trip lever – non-CP	<input type="checkbox"/> PB	<input type="checkbox"/> Other_____
K-9483-R	Right-hand trip lever – non-CP	<input type="checkbox"/> PB	<input type="checkbox"/> Other_____

Technical Information

Fixture:	
Configuration	one-piece, elongated
Water per flush	1.6 gal (6 L) or 1.4 gal (5.3 L)
Passageway	2-1/8" (5.4 cm)
Water area	11" (27.9 cm) x 8-1/2" (21.6 cm)
Water depth from rim	6" (15.2 cm)
Seat post hole centers	5-1/2" (14 cm)

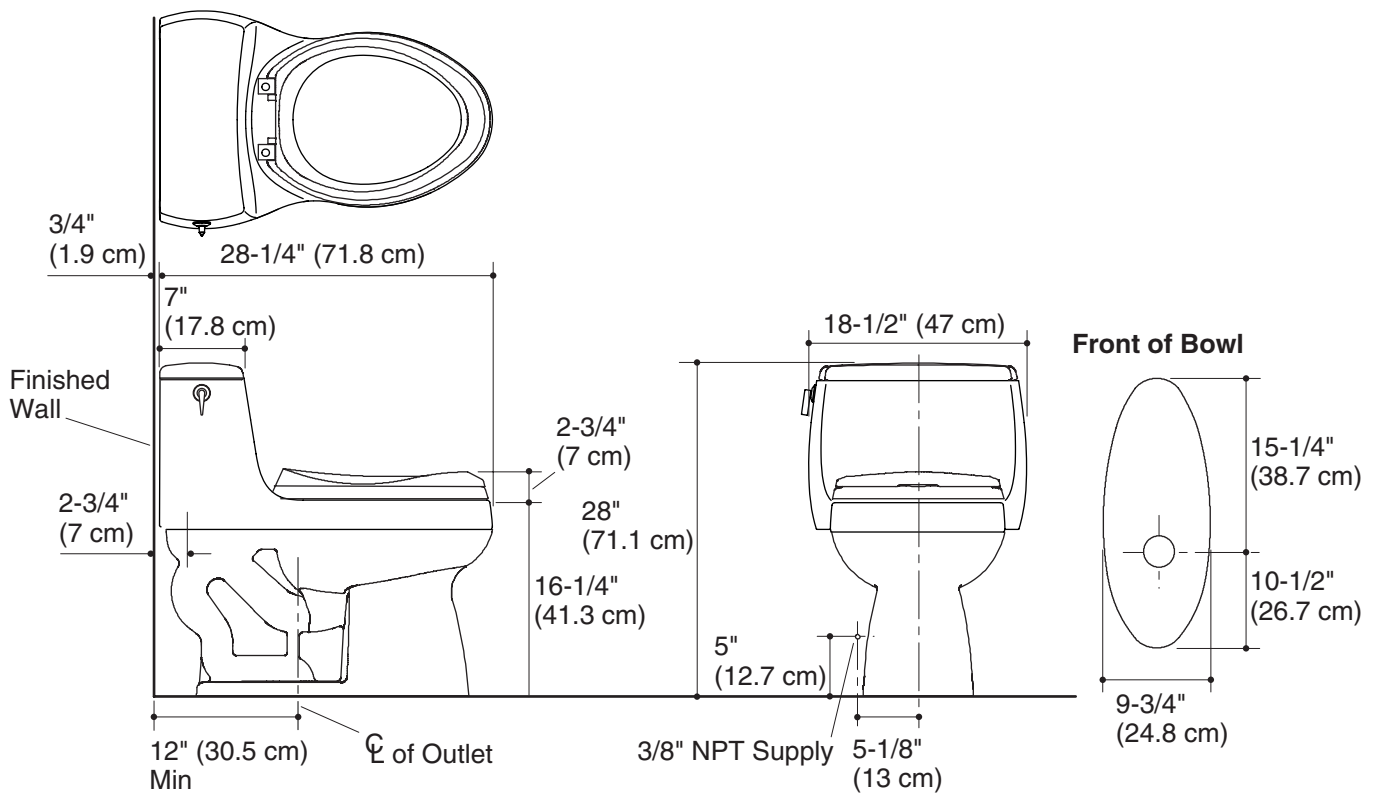
Included components:

Seat	K-4713
Tank cover	85407
Left-hand trip lever	1068627
Right-hand trip lever	1080378
Bolt cap accessory pack	52048
Tank accessory pack	52265

Installation Notes

Install this product according to the installation guide.

This toilet is ADA compliant when an open front seat is installed.



Product Diagram