



WP2CH175QT



JOB NAME: _____
 DATE: _____
 TYPE: _____

DESCRIPTION

Wallpack with cutoff glare shield. All aluminum precision die cast construction with tempered glass lens. 30° cutoff strip included. Lamp supplied.

SPECIFICATIONS

Cutoff Lens:

Tempered glass.

Finish:

Chip and fade resistant polyester powder coating.

Housing:

Die cast aluminum, 1/2" NPS tapped holes top, both sides and back for conduit or photocontrol. Hinged refractor frame. Continuous silicone rubber gasket.

Reflector:

Specular anodized aluminum, removable for installation. Symmetrical light pattern maximizes distance between fixtures.

Quad Tap:

Fixture works with 120, 208, 240 and 277 Volts

Refractor:

Prismatic optics designed to minimize glare and throw light down and out. Heat resistant borosilicate glass.

UL Listing:

Suitable for wet locations. HID fixtures can be wired with 90° C supply wiring if supply wires are routed 3" away from ballast.

Patents:

RAB sensor and fixture designs are protected under U.S. and International Intellectual Property laws

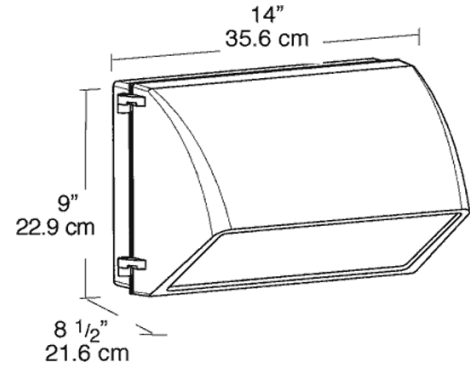
Color:

Bronze

Weight:

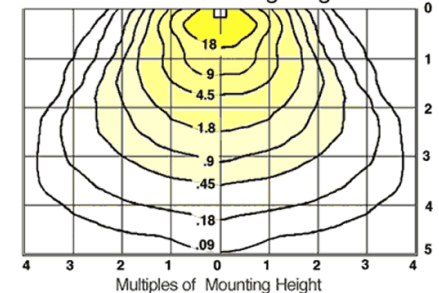
17.55

DIMENSIONS



PHOTOMETRIC

150w HPS @10' Mounting Height



| Mounting Height | Multiplier | Watts | Multiplier | HPS | MH | CFL |
|-----------------|------------|-------|------------|-----|----|-----|
| 8' | 1.6 | 175 | 1.0 | | | |
| 10' | 1.0 | 150 | 1.1 | .9 | | |
| 12' | .7 | 100 | .6 | .6 | | |
| 16' | .4 | 70 | .4 | .4 | | |
| 20' | .25 | 42 | | .2 | | |

ORDERING INFORMATION

| Metal Halide Lamp supplied with fixture | Total Watts | Lamp Type | Lamp Base | Ballast | Starting Amps/ Operating Amps | | | | Input Watts | LAMP ANSI | Initial Lumens | Lamp Hours |
|--------------------------------------------|-------------|-----------|-----------|------------|-------------------------------|--------|-------|-------|-------------|-----------|----------------|------------|
| | | | | | 120V | 208V | 240V | 277V | | | | |
| | 175 | ED17 | Medium | CWA HPF QT | 1.3/1.8 | .8/1.1 | .7/.9 | .6/.8 | 210 | M57 | 13500 | 10000 |

Factory Installed Options
 Add suffix to Catalog Number

Tamperproof screws (/TP)
 Swivel Photocontrol (/PCS)
 Single fusing for 120 and 277 volt (/F)

Double fusing for 208 and 240 volt (/FF)
 Button Photocontrol for 208 - 277 volt (/PC2)
 Button Photocontrol (/PC)

Note: Specifications may change without notice