



# WP1GSN70



JOB NAME: \_\_\_\_\_  
 DATE: \_\_\_\_\_  
 TYPE: \_\_\_\_\_

## DESCRIPTION

The same Wallpack as the WP1, but with prismatic glass lens to eliminate yellowing. Lamp supplied.

## SPECIFICATIONS

### Finish:

Chip and fade resistant polyester powder coating.

### Housing:

Die cast aluminum, 1/2" NPS tapped top, both sides and back for conduit or photocontrol. Hinged refractor. Continuous one piece silicone rubber gasket.

### Reflector:

Semi-Specular anodized aluminum, removable for installation. Symmetrical light pattern maximizes distance between fixtures.

### UL Listing:

Suitable for wet locations. HID fixtures can be wired with 90° C supply wiring if supply wires are routed 3" away from the ballast.

### Conduit Openings:

Top, side and back

### Patents:

Pat. D440,683

### Template:

Drilling template for easy wall box mounting

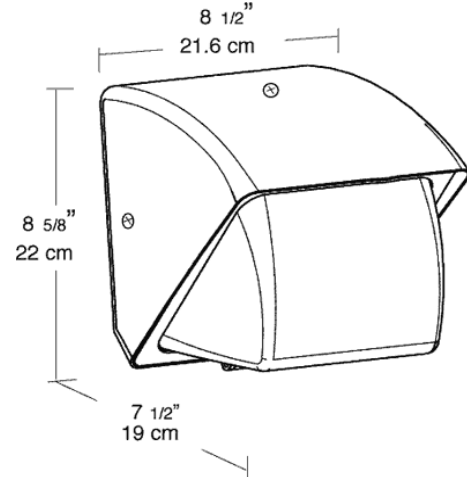
### Color:

Bronze

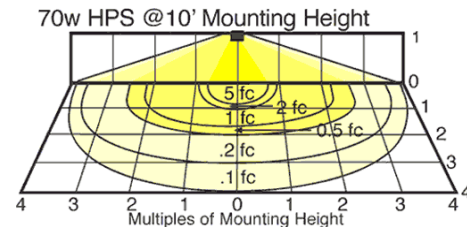
### Weight:

8.92

## DIMENSIONS



## PHOTOMETRIC



| Mounting Height | Multiplier | Multiplier |     |        |
|-----------------|------------|------------|-----|--------|
|                 |            | Watts      | HPS | MH CFL |
| 8'              | 1.6        | 100        | 1.5 | 1.4    |
| 10'             | 1.0        | 70         | 1.0 | .9     |
| 12'             | .7         | 50         | .6  | .5     |
| 16'             | .4         | 35         | .4  | .5     |
| 20'             | .25        | 42         |     | .5     |

## ORDERING INFORMATION

**High Pressure Sodium**  
 Lamp supplied with fixture

| Total Watts | Lamp Type | Lamp Base | Ballast    |
|-------------|-----------|-----------|------------|
| 70          | ED17      | Medium    | R-NPF 120V |

| Starting Amps/ Operating Amps |      |      |      |
|-------------------------------|------|------|------|
| 120V                          | 208V | 240V | 277V |
| 2.1/1.6                       |      |      |      |

| Input Watts | LAMP ANSI | Initial Lumens | Lamp Hours |
|-------------|-----------|----------------|------------|
| 86          | S62       | 6300           | 24000      |

**Factory Installed Options**  
 Add suffix to Catalog Number

Tamperproof screws (/TP)  
 Swivel Photocontrol (/PCS)  
 Single fusing for 120 and 277 volt (/F)

Button Photocontrol wired for 208 - 277 volt (/PC2)  
 Button Photocontrol (/PC)

Note: Specifications may change without notice